

RCA

DINI ARGEO ANALOGUE COLUMN LOAD CELL, IN STAINLESS STEEL, "RCA" SERIES



Analogue version of compression load cells, ideal for CE-M approved weighbridges, tanks, silos, etc. Manufactured in STAINLESS STEEL, IP68 protection, 4000 divisions, fitted with "rodent proof" armoured cable.

CAPACITIES (kg): 30000.

OIML R60. C4 precision class.

Load cells with stainless steel body. Degree of protection IP68.

20m Armoured Rodent Resistant Cable, with standard Stainless Steel Armor.

Integrated Surge Arresters as Standard

Low Profile Height of only 130mm.

Version available for ATEX environments.

TECHNICAL FEATURES

- METROLOGICAL:
- Rated capacity (Cn): 30t
- Combined error: $\pm 0,013 \%Cn$
- Temperature effect on zero: $0,0014 \%Cn/^{\circ}C$
- Temperature effect on sensitivity: $0,0011 \%Cn/^{\circ}C$
- Creep error (30 min.): $0,018 \%Cn$

LEGAL METROLOGY OIML R60

- Accuracy class: C4
- Max. number of intervals (nmax): 4000e OIML
- Minimum verification interval (vmin): 10000
- $Z = E_{max}/(2 \times DR)$: 4000

ELECTRICAL

- Nominal range of excitation voltage: 1 - 15Vdc
- Rated output at Cn: 2mV/V
- Zero balance: $< \pm 2.50 \%Cn$
- Input resistance: $815 \pm 20\Omega$
- Output resistance: $700 \pm 0.35\Omega$
- Current Adjustment: $0,1 \%Cn$
- Over voltage protection: 10kA/20kV (8/20 μ s) - IEC61000-4/5
- Insulation resistance: 5000M Ω /50V

GENERAL

- Service temperature range: $-20 \sim +60^{\circ}C$
- Compensated temperature range: $-10 \sim +40^{\circ}C$
- Safe load limit: 150% Emax
- Ultimate overload: 300% Emax
- Protection degree IP68
- Load cells with stainless steel body
- 4-core armoured cable, PVC sheath, 20m length.
- Nickel plated steel cable gland.
- Armoured Anti Rodent Cable with Stainless Steel Armour.
- Self-centring spherical bases.
- Equipped with anti-rotation system, to be combined with KRCA cups for proper operation.

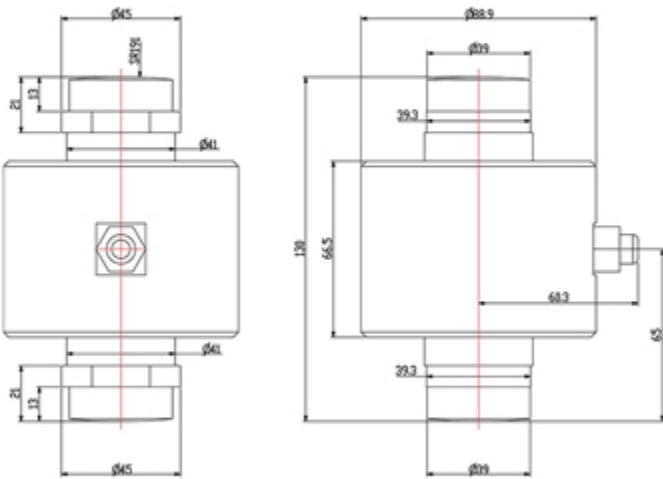
ATEX VERSION RCA LOAD CELL

- An ATEX version of the RCA load cell is available for explosive atmospheres.
- The CCATEX certificate makes the load cell suitable for use in hazardous areas with protection methods according to:
ATEX II 1G Ex ia IIC T6 (Ta $-20 \div +40^{\circ}C$) TX (Ta $-20 \div +65^{\circ}C$) Ga
ATEX II 1D Ex ta IIIC TX $^{\circ}C$ (Ta $-20 \div +40^{\circ}C$) TX $^{\circ}C$ (Ta $-20 \div +65^{\circ}C$) Da IP65.
The certificate includes the manual and the ATEX CE conformity declaration (available in EN, DE, FR, and IT).
- **IMPORTANT:** the certificate refers to the single load cell. For systems with more load cells, it is necessary to order one certificate for each load cell.

RCA LOAD CELL: CONNECTION CABLE

Wiring Code	
<i>Colour</i>	<i>Function</i>
WHITE	OUTPUT +
RED	INPUT +
YELLOW	OUTPUT -
BLUE	INPUT -

DETAIL 1



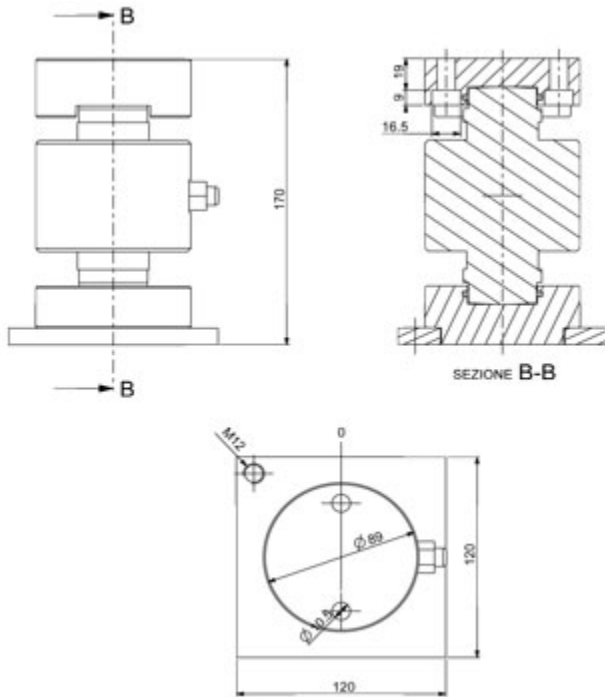
Technical drawing in mm.

DETAIL 2



RCA load cell complete with optional KRCA kit.

DETAIL 3



Technical drawing in mm with optional KRCA kit.

VERSIONS

Available versions

Codice	Max (kg)
RCA30C4	30000



“YOUR WORLDWIDE PARTNER FOR WEIGHING,”

DINI ARGEO
FRANCE sarl
France

DINI ARGEO
GMBH
Germany

DINI ARGEO
UK Ltd
United Kingdom

DINI ARGEO WEIGHING
INSTRUMENTS Ltd
China

DINI ARGEO
OCEANIA
Australia



COMPANY HEADQUARTERS

Via Della Fisica, 20
41042 Spezzano di Fiorano Modena • Italy
Tel. +39.0536 843418

SERVICE ASSISTANCE

Via Dell'Elettronica, 15
41042 Spezzano di Fiorano Modena • Italy
Tel. +39.0536 921784

SALES AND TECHNICAL ASSISTANCE SERVICE