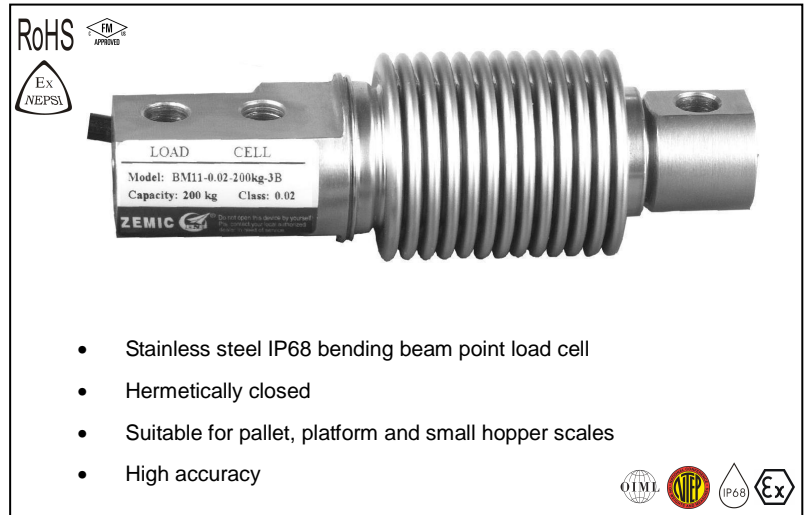


Capacity	Accuracy	Part-Number
10 kg	C3	BM11-C3-10kg-3B-SC ¹
20 kg	C3	BM11-C3-20kg-3B-SC
30 kg	C3	BM11-C3-30kg-3B-SC
50 kg	C3	BM11-C3-50kg-3B-SC
100 kg	C3	BM11-C3-100kg-3B-SC
200 kg	C3	BM11-C3-200kg-3B-SC
350 kg	C3	BM11-C3-350kg-3B-SC
500 kg	C3	BM11-C3-500kg-3B-SC

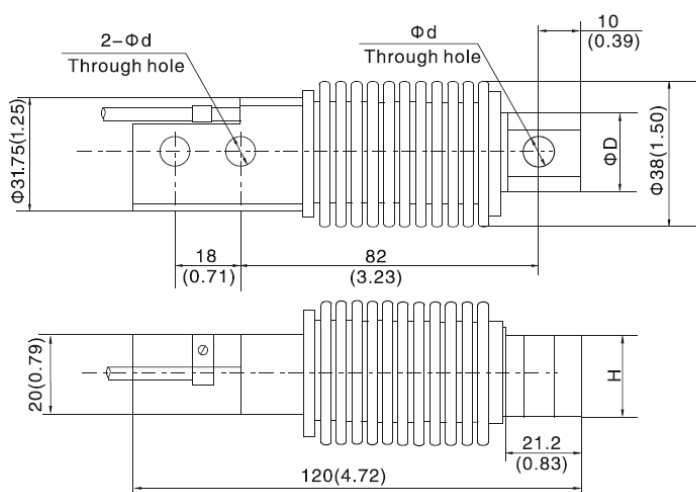


Specification:

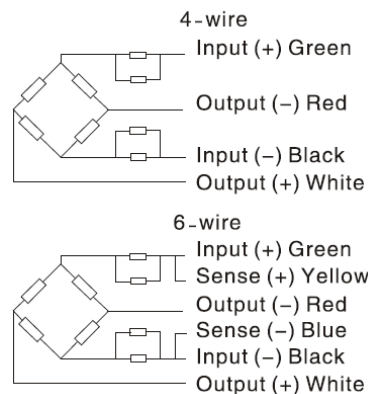
Accuracy class		OIML R60 C3	
Output sensitivity (= FS)	mV/V	2.0 ± 0.2	
Maximum capacity (E _{max})	kg	10 ¹ , 20, 30, 50, 100	200, 350, 500
Maximum number of load cell intervals (n _{LC})		3000	
Ratio of minimum LC verification interval Y = E _{max} / V _{min}		10000 - 15000	6000
Combined Error	%FS	± 0.020	
Minimum dead load	kg	0	
Safe overload	of E _{max}	150 %	
Ultimate overload	of E _{max}	300 %	
Zero balance	of FS	< ± 1.0 %	
Excitation, recommended voltage	V	5 ~ 12	
Excitation maximum	V	18	
Terminal resistance, input	Ω	430 ± 50	
Terminal resistance, output	Ω	351 ± 2	
Insulation impedance	MΩ	≥ 5000 (at 50VDC)	
Temperature range, compensated	°C	-10 ~ +40	
Temperature range, operating	°C	-35 ~ +65	
Element material		Stainless steel	
Ingress Protection (according to EN 60529)		IP68	
Recommended torque on fixation bolts	Nm	M8(20-50kg):15	M8(<300kg):25 M10:40
ATEX classification (optional)		II1G Ex ia II1C T4	II1D Ex iaD 20 T73°C II3G nL IIC T4

Note 1: 10kg pending OIML approved

Outline Dimensions in mm (inch)



Dimension	Capacity (kg)		
	5,10,20,30,50	100,200,300	350,500
d	8,2 (0.32)		10,3 (0.41)
D	23 (0.91)		24 (0.94)
H	20 (0.79)		19 (0.75)



Wiring:

Both 4 and 6 conductor wires are available on customers' requirements.
Cable diameter: φ5 mm
Standard length for 4 conductor cable: 3m
Standard length for 6 conductor cable: 6m
Shield not connected to element

Nr. 2010.04 BM11 Rev5