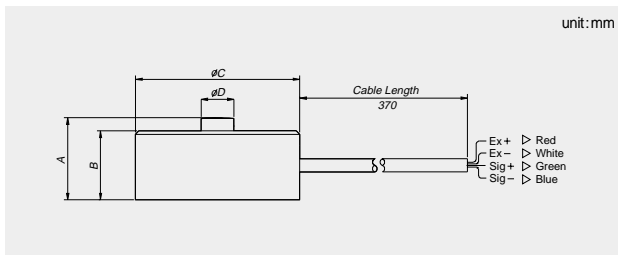


SMN Sub-miniature load cell, 1kgf - 2tf

Load Cell



DIMENSIONS



Model	Capacity	A	B	øC	øD
SMN-1L ... -100L	1 kgf ... 100kgf	9.5	7.5	20	3
SMN-200L ... -2T	200kgf ... 2tf	14	13.3	20	4

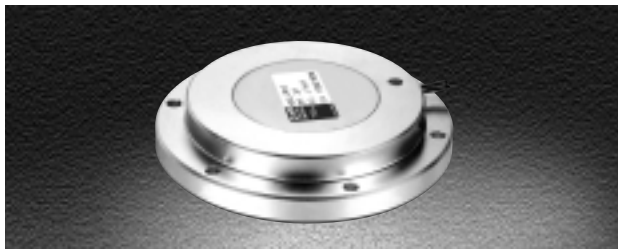
FEATURES

- Sub-miniature dimension
- Protection class IP65

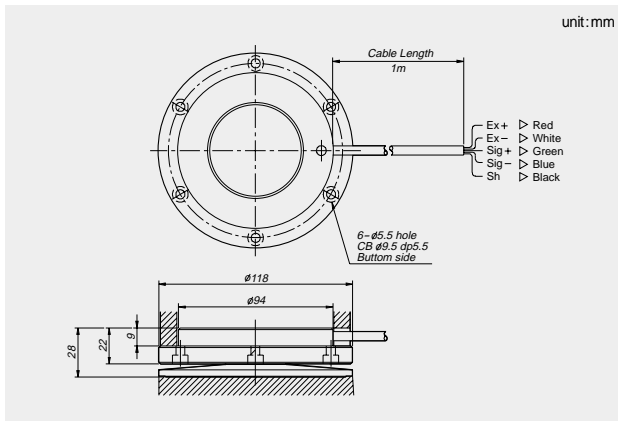
SPECIFICATIONS

Max. capacity	1, 2, 5, 10, 20, 50, 100 200, 300, 500, 1T, 2T
Rated output	1.0mV/V(1-5kgf:0.5mV/V)
Zero balance	0 ± 0.1mV/V
Combined error	2.0%R.O.
Repeatability	1.0%R.O.
Temperature effect on Zero Value	0.03%R.O./10 °C
Output value	0.05%R.O./10 °C
Excitation	
Recommended	5V
Maximum	10V
Resistance	
Input	350 ± 3.5 Ω
Output	350 ± 3.5 Ω
Insulation	> 2,000MΩ
Compensated temperature range	-10 to +40 °C
Operating temperature range	-40 to +70 °C

CPA slim profile load cell, 500kgf - 5tf



DIMENSIONS



FEATURES

- Low-profile
- Integrated loading base
- Low-deck high capacity scale applications

SPECIFICATIONS

Max. capacity	500kgf, 1, 1.5, 2, 3, 5tf
Rated output	1.7 ± 0.17mV/V
Zero balance	0 ± 0.016mV/V
Combined error	0.14%R.O.
Repeatability	0.03%R.O.
Creep for 30min.	0.03%R.O.
Temperature effect on Zero Value	0.03%R.O./10 °C
Output value	0.05%R.O./10 °C
Excitation	
Recommended	10V
Maximum	15V
Resistance	
Input	760 ± 7 Ω
Output	700 ± 7 Ω
Insulation	> 2,000MΩ
Compensated temperature range	-10 to +40 °C
Operating temperature range	-40 to +70 °C

90 CAS

