

HC Canister load cell, 20tf - 200tf

Load Cell



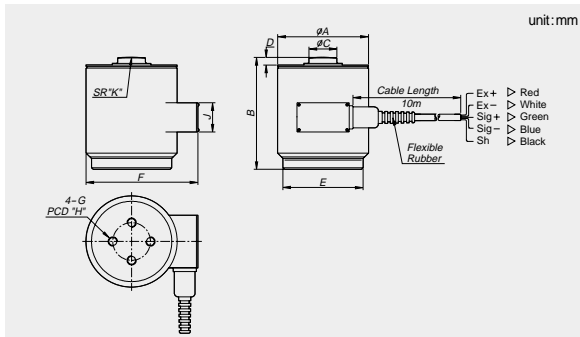
FEATURES

- Hermetically sealed
- Calibrated at real max. capacity

SPECIFICATIONS

| | | |
|-------------------------------|---------|----------------------|
| Max. capacity | tf | 20, 30, 50, 100, 200 |
| Rated output | mV/V | 2.0 ± 0.002 |
| Zero balance | mV/V | 0 ± 0.02 |
| Combined error | % | 0.15 |
| Repeatability | % | 0.1 |
| Creep for 30 min. | % | 0.03 |
| Temperature effect on | | |
| Zero Value | %/10 °C | 0.03 |
| Output value | %/10 °C | 0.03 |
| Excitation | V | 10 |
| Recommended | V | 15 |
| Maximum | | |
| Resistance | Ω | 350 ± 3.5 |
| Input | Ω | 350 ± 3.5 |
| Output | MΩ | > 2,000 |
| Insulation | | |
| Compensated temperature range | °C | -10 to +70 |
| Operating temperature range | °C | -20 to +80 |

DIMENSIONS



Material

Paint finished steel

Cable

Braided shield 4-wire round cable with P.V.C-jacket

| Model | Capacity | øA | B | øC | D | E | F | G | H | J | K |
|--------|----------|-----|-----|----|----|-----|-----|------------|-----|----|-----|
| HC-20 | 20tf | 118 | 145 | 36 | 10 | 104 | 150 | M12 × 1.75 | 80 | 38 | 150 |
| HC-30 | 30tf | 118 | 145 | 36 | 10 | 104 | 150 | M12 × 1.75 | 80 | 38 | 150 |
| HC-50 | 50tf | 138 | 160 | 50 | 20 | 124 | 170 | M12 × 1.75 | 80 | 38 | 200 |
| HC-100 | 100tf | 158 | 190 | 70 | 20 | 144 | 190 | M16 × 2.0 | 100 | 38 | 200 |
| HC-200 | 200tf | 214 | 230 | 95 | 30 | 188 | 249 | M16 × 2.0 | 130 | 38 | 300 |