



»» CSM 60-100  
DRD 60-100

»» CSMV 60-100  
DRD 60-100 PM

Oil-injected screw  
compressors  
Fixed and variable speed



# HIGH PERFORMANCE COMPONENTS MAKE FOR CSM 60-100 AND DRD 60-100 SERIES



## Reliability

- » Designed with 75 years industry experience
- » Careful qualification of components
- » Continuous endurance testing
- » World class branded electricals

## Safety

- » Emergency stop
- » Protection grid
- » Internal and external protection for the electric fan

## Quality assurance

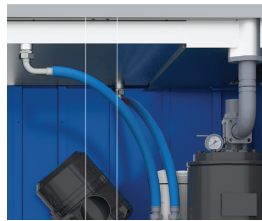
- » High capacity oil/air coolers, perfect air filtration and cooling guarantee less thermal shocks and a longer life
- » ISO9001, ISO14001 quality assurance
- » OHSAS 18001 quality assurance
- » End to end quality testing procedure

## Easy installation and service

- » Plug and play design
- » No special foundation needed
- » Easy access to all service components
- » Minimum downtime at service intervention



1



### Air cooler & oil cooler

Separate oil and air cooler for high-quality cooling. Perfect work at 46° C ambient temperature

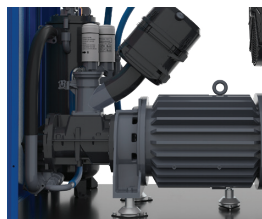
2



### ES400T controller

Easy-to-use, graphical touchscreen display with integrated connectivity to optimize and save energy.

3



### Ceccato's in-house designed element

Guarantee the quality of compressed air and efficient operation

4



### High efficiency air filter

Low pressure drop, less noise and 99.9% removal efficiency at 3µm solid particles

5



### Integrated fan

Start/stop coordinated by controller in accordance with the oil temperature



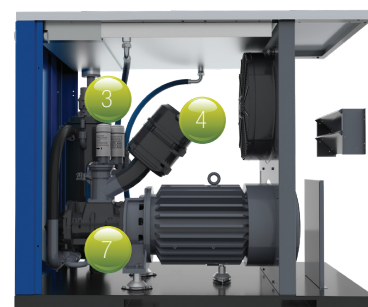
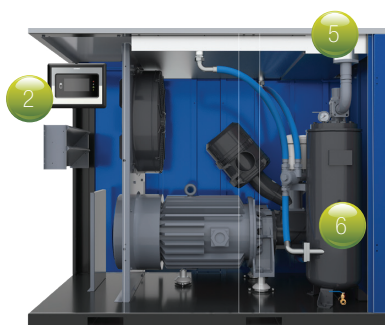
## Technical data

Model								Connection	
	Pressure	Motor		Capacity		Noise	Weight		
	Mpa	kw	hp	I/S	cfm	dB(A)±2	KG		
CSM60	0.7	45	60	132	280	72	866	G1 1/2	1723*980*1600
	0.8			127	269				
	1			118	250				
	1.3			101	213				
CSM75	0.7	55	75	165	350	76	1221	G2	1950*1090*1600
	0.8			155	328				
	1			144	305				
	1.3			124	263				
CSM100	0.7	75	100	215	456	77	1285	G2	1950*1090*1600
	0.8			206	437				
	1			186	393				
	1.3			163	346				

Model								Connection	
	Pressure	Motor		Capacity		Noise	Weight		
	Mpa	kw	hp	I/S	cfm	dB(A)±2	KG		
DRD60	0.7	45	60	133	281	70	906	G1 1/2	1723*980*1600
	0.8			133	281				
	1			114	241				
	1.3			100	211				
DRD75	0.7	55	75	180	382	74	1461	G2	2259*1060*1594
	0.8			170	359				
	1			146	310				
	1.3			125	266				
DRD100	0.7	75	100	243	515	75	1535	G2	2259*1060*1594
	0.8			230	487				
	1			205	433				
	1.3			172	364				

## Pioneering components make for a revolutionary range

- 1 Filtration panel
- 2 Controller
- 3 Oil filter
- 4 Air filter
- 5 Air cooler & oil cooler
- 6 Oil-separator vessel
- 7 Screw element



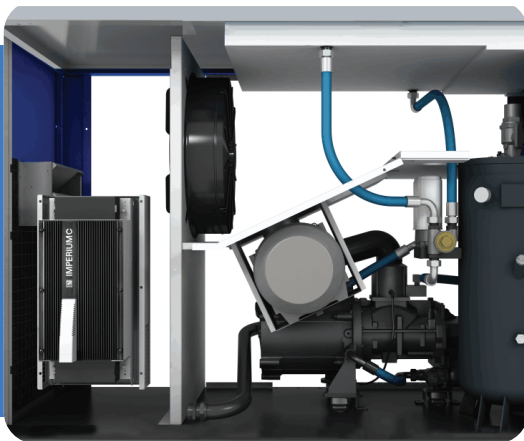
# VARIABLE SPEED SERIES: CSMV 60-100, DRD 60-100 PM

Concerning to the factory life-cycle cost, the minimal operation cost can really benefit customer investment. Designed for frequently commissioning at load and unload condition, Ceccato DRD PM air compressor meets the minimum power consumption to throughout the long-term commissioning and it can cut your energy bill by up to 30%. DRD PM offer you:



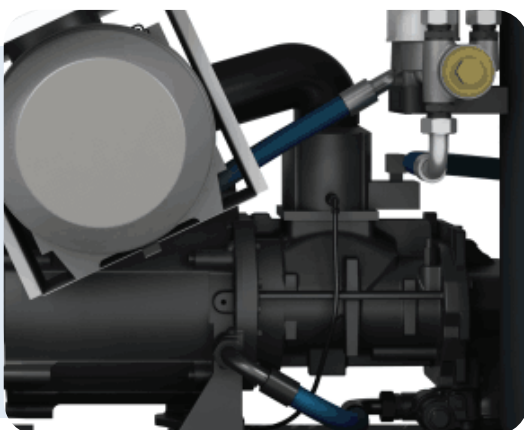
## ES4000T controller

- Remotely connect to your compressor anywhere, at any given moment
- Maximize productivity by eliminating the risk of downtime
- Increase reliability through planned service interventions
- Reports suggest cost optimizations



## Imperium inverter

In-house designed Imperium inverter ensures perfect match between air demand and air supply.



## Drive train

Unique design, reliable and high efficiency drive train contribute to reduce energy loss and operation cost.

# RELIABLE AND HIGH EFFICIENCY DRIVE TRAIN: UNIQUE DESIGN, LOWER FABRICATION TO REDUCE ENERGY LOSS AND OPTIMIZE OPERATION COST



Model									
	Pressure	Motor		Capacity		Noise	Weight	Connection	Dimension
	Mpa	kw	hp	l/s	cfm	dB(A)±2	KG	G	LxHxW(mm)
CSMV60	0.7			29-142	61-300	74	750	G1 1/2"	1723*980*1600
	0.8	45	60	29-133	61-281				
	1			28-122	59-257				
CSMV75	0.7			31-183	65-386	76	920	G2"	1920*1060*1600
	0.8	55	75	31-175	65-369				
	1			30-157	63-331				
CSMV100	0.7			45-218	95-460	78	980	G2"	1920*1060*1600
	0.8	75	100	43-210	91-443				
	1			43-182	91-384				

Model									
	Pressure	Motor		Capacity		Noise	Weight	Connection	Dimension
	Mpa	kw	hp	l/s	cfm	dB(A)±2	KG	G	LxHxW(mm)
DRD60 PM	0.7			26-135	56-287	71	733	G1-1/2"	1723*980*1600
	0.8	45	60	26-134	56-286				
	1			26-125	56-265				
	1.3			41-101	88-215				
DRD75 PM	0.7					27-189	56-402	72	932
	0.8	55	75	27-182	56-385				
	1			27-164	56-346				
	1.3			44-139	92-293				
DRD100 PM	0.7					28-221	60-471	77	973
	0.8	75	100	28-213	60-452				
	1			28-187	60-395				
	1.3			43-165	92-349				

## Features and benefits

- 1 Less downtime
- 2 Robust and user-friendly
- 3 Industrial leading efficiency class



# REVOLUTIONARY DRIVE TRAIN TECHNOLOGY

## Improved energy efficiency saves you money

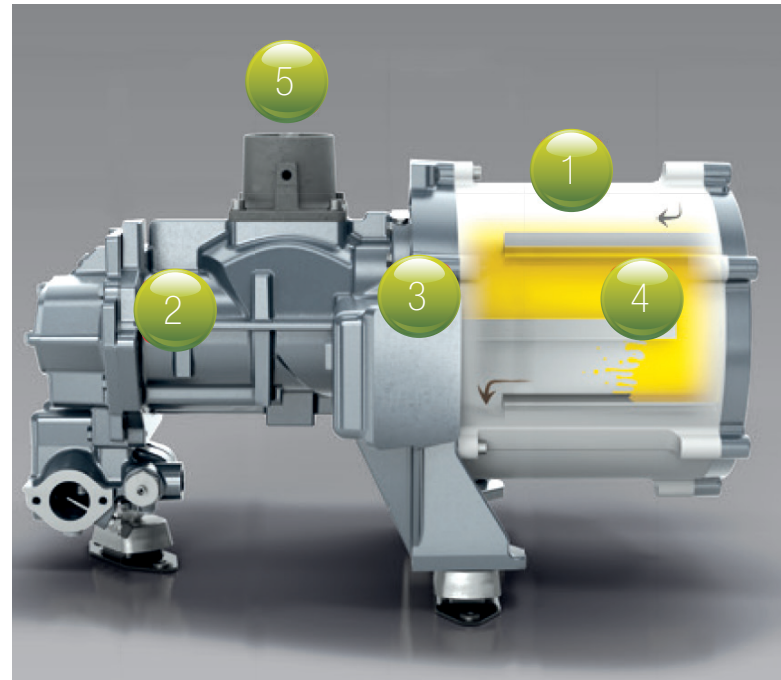
- » In-house designed iPM motor with iPM Super Premium Efficiency.
- » New generation in-house designed screw elements, with improved efficiency.
- » Integrated direct drive transmission for minimal losses.
- » Smart inlet valve optimizes the inlet flow and improves efficiency.

## Increased reliability extends lifetime

- » iPM motor rated IP66, premium protection against dust and water ingress.
- » Globally renowned screw elements, proven in thousands of installations.
- » Optimal cooling at all speeds and conditions thanks to oil-cooling principle of the iPM motor.

## Maintenance-free design minimizes downtime and improves your productivity

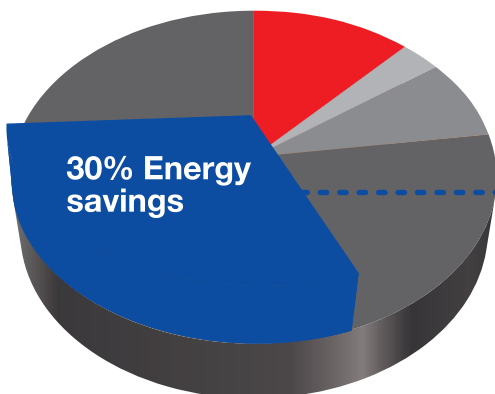
- » Coupling-free direct drive design, no maintenance needed.
- » Smart inlet valve, no maintenance needed.



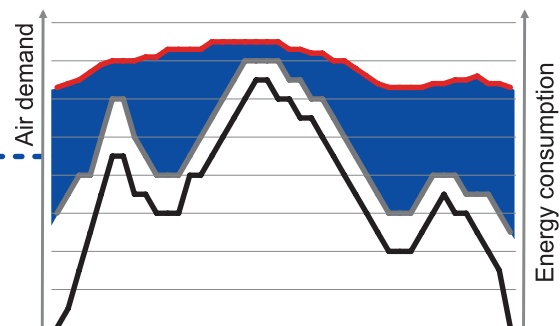
- 1 iPM motor
- 2 In-house designed screw elements
- 3 Direct drive
- 4 Oil-cooling
- 5 Smart inlet value

## »»» We protect your efficiency

Energy costs represent about 70% of the total operating cost of your compressor over a 5 year period. That's why reducing the operating cost of a compressed air solution is a major focus. Variable frequency driven compressors can cut the energy bill of your compressor by up to 30%.



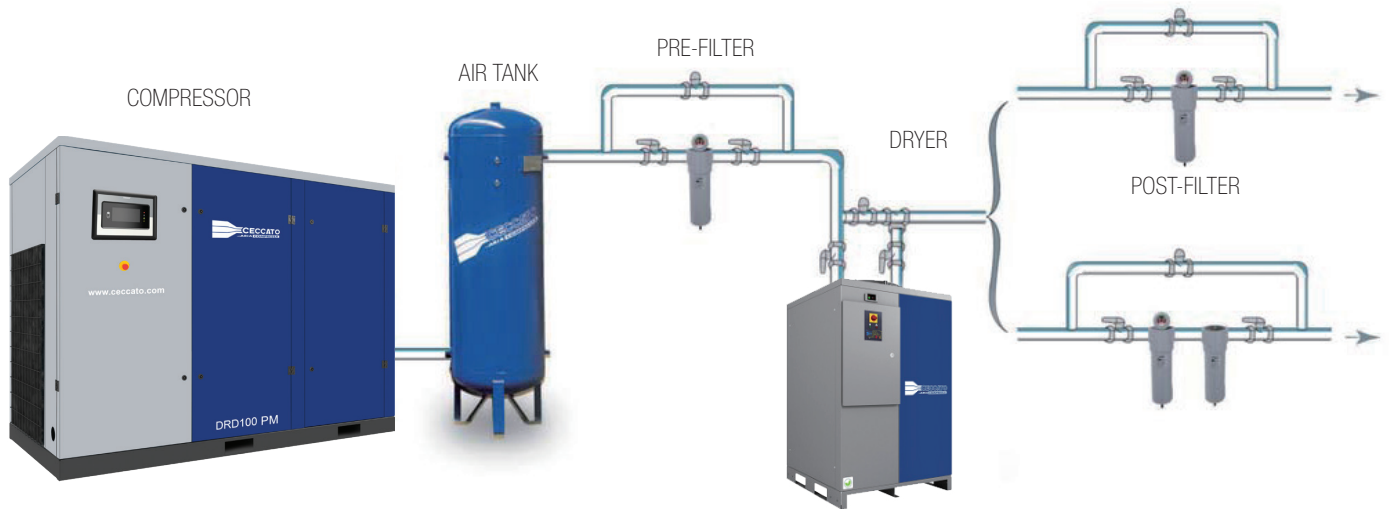
- 12% investment
- 3% installation
- 8% Service
- 77% Energy consumption



- Air demand
- Variable frequency driven costs
- Load Unload costs
- Savings

# A TOTAL SOLUTION FOR YOUR QUALITY AIR

## Complete compressor room solutions



### Line Filters

- » Purify the compressed air by eliminating oil/dust contaminants resulting in higher final product quality and an increase of your overall productivity.

### Air Receiver

- » Buffer storage for compressed air. Helps with condensate separation, pressure stabilization and more efficient operation of the compressor.

### Oil Water Separator

- » Captures the oil in compressor condensate so it can be disposed of in a safe and environment-friendly way.

### AIRnet

- » Fast to install, reliable piping system, designed for compressed air applications offers lowest total cost of ownership.

## Complete your compressed air installation with an ICONS plan

What if your compressor needs service or an immediate intervention? With an ICONS plan, you get an alert from your controller delivered straight to your computer, tablet or smartphone. Wherever you are, you can take immediate action and reduce the risk of downtime and other costs.



### With connectivity



### Without connectivity





**Oil-injected screw compressor**

**Fixed speed Range CSM/DRD series**

**Variable speed Range CSMV & DRD PM series**



- A high quality product offering you **technology you can trust**.
- Our products are **easy to use** and guarantee high **reliability**.
- Distributors are always nearby ensuring **availability** of both products and support.
- Choosing our high performance products entails a **partnership** that will boost your business.
- Safeguarding long-term productivity through optimal **serviceability** and use of original parts.



Care. Trust. Efficiency.

**Care.**

Care is what service is all about: professional service by knowledgeable people, using high-quality original parts.

**Trust.**

Trust is earned by delivering on our promises of reliable, uninterrupted performance and long equipment lifetime.

**Efficiency.**

Equipment efficiency is ensured by regular maintenance. Efficiency of the service organization is how Original Parts and Service make the difference.

© 2020, Ceccato. All rights reserved. All mentioned brands, product names, company names, trademarks and service marks are the properties of their respective owners. Our products are constantly being developed and improved. We thus reserve the right to modify product specifications without prior notice. Pictures are not contractually binding.



Contact your local sales representative now!

[www.ceccato-compressors.com](http://www.ceccato-compressors.com)