

Syafa Industry

<http://syafaindustry.com>



Catalog
And Company Profile
PT SYAFA MEGAH PERKASA

info@syafaindustry.com
(021)55762259 | 081280869955

THE COMPANY

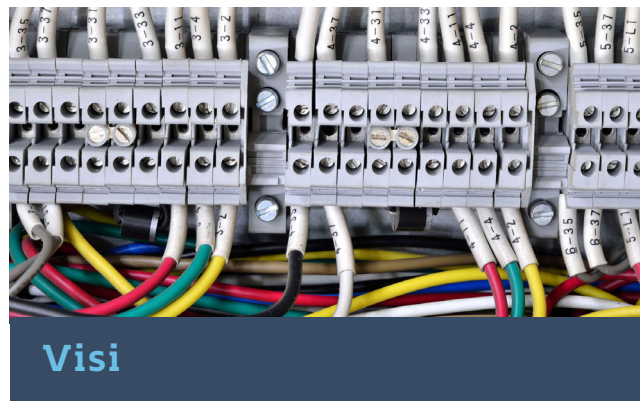
Best electrical and plumbing, provider, service and repair company in Jakarta.

PT. SYAFA MEGAH PERKASA is the Best Choice for Electrical and Plumbing Solution.

Syafa Megah Perkasa Adalah Perusahaan Yang Bergerak Dalam Pengadaan Barang Di Bidang Electrical. Dengan Latar Belakang Pengalaman Dan Pengetahuan, Baik Dalam Distribusi Produk, Instalasi Dan Jaringan Pemasaran. Perusahaan Kami Yang Didirikan Sejak Tahun 2008 Telah Dibangun Untuk Komitmen Dalam Solusi Kebutuhan Anda Dibidang Electrical Dan Piping System. PT. SYAFA MEGAH PERKASA didirikan pada tahun 2006 berdasarkan pada komitmen untuk turut serta dalam pembangunan melalui jasa konstruksi. Jasa pelayanan kami meliputi Pekerjaan Sipil, Dermaga, Pelabuhan, Arsitektur, Mekanikal, Elektrikal, Engineering. Procurement Construction (EPC) dan Tata Lingkungan, khususnya bidang Minyak dan Gas.



Berpartisipasi dalam Pembangunan Melalui Jasa Konstruksi.
Menyediakan Jasa Konstruksi yang Dapat Memberikan Nilai Tambah Bagi Stakeholder.
Memberikan Pelayanan Dengan Sikap Profesional dan Memenuhi Standar Kesehatan, Keselamatan Kerja dan Lindungan Lingkungan.



Menjadi Perusahaan Penyedia Elektrikal dan Mekanikal Yang Terpercaya dan Dapat Diandalkan.
Menjadi Perusahaan Yang Solid Dan Terpercaya Dibidang Electrical Dan Perpipaan.
Selalu Berinovasi, Untuk Mencapai Posisi Terdepan Dan Dapat Dipercaya, Dengan Orientasi Yang Konsisten Terhadap Kepuasan Pelanggan Produk.



Electrical and Plumbing Solution



Plumbing System

PT Syafa Megah Perkasa bermitra Dengan Pabrikasi Melalui Oem, Kami Memproduksi Pipa Metal Conduit, Flexible Conduit, piping system dan lain sebagainya.



Cabling Industry

PT Syafa Megah Perkasa berorientasi Konsisten Terhadap Kepuasan Pelanggan yang menyediakan kebutuhan cabling bagi skala Industri.



Electrical Industry

PT Syafa Megah Perkasa adalah Perusahaan Yang Solid Dan Terpercaya Dibidang Electrical yang menyediakan kebutuhan electrical skala Industri.

Contents

The Best Metal Enclosure For Electrical Distribution Works	7	Spiral Wrapping Band	48
The Best Metal Enclosure For Electrical Distribution Works	8	Movable Bushing	49
Dse Hibox - Nice Box	9	Saddle Type Tie Mount	50
Dse Hibox - Terminal Box	10	Self Adhesive Tie Mount	51
Liquid - Tight Flexible Metal Conduit - Ef - Interlocked	11	Clip On Cable Marker	52
Oscg Adaptor Osaj	13	Ec Type Cable Marker	53
Oscg Cable Gland Elwf Type	14	Flat Cable Marker	54
Hawke Cable Gland	15	Marker Plate	55
A2 Industrial Brass Cable Gland For Non-Armoured Cable Ip 65	16	Marker Strip	56
Cw Industrial Brass Cable Gland For Armoured Cable Ip 65	17	Marker Tube	57
Bw Industrial Brass Cable Gland Ip 65	18	Self-Adhesive Wire Markers	58
Oscg Cable Gland Elwf Type	19	Close-End Wire Connector	59
Oscg Cable Gland Elxf Type	20	Screw On Wire Connector	60
Oscg Cable Gland Osnj-A2f Type	21	Heat-Shrinkable Tubings	61
Nylon Cable Gland	22	Heat Shrinking Sleeve	63
Oscg Shrouds Ossh	23	Vinyl Wire End Caps	64
Oscg Reducer Osra Type	24	Bimetal Cable Lug	65
Oscg Stopping Plug Ossp-H & Ossp-R Type	25	Blade Insulated Terminal	66
Nylon Cable Tie	26	Blade Terminal	67
Releasable Cable Ties (Rt250 Type)	27	Butt Splice Insulated	68
Nylon Marker Tie	28	Butt Splice	69
Dragon Seal	29	Copper Cable Lugs	70
Dimension	29	Cord End Terminal	72
Jw 250	30	Kss Female Lug	74
Klicker	31	Female Lug	75
Mjw 120St	32	Insulated Ring Terminal	76
Mjw 200Lt	33	Insulated Y Terminal	77
Pi 300	34	Male Lug Spade	78
Ring S Seal	35	Male Lug	79
Sen-01	36	Pin Insulated Terminals	80
Sen-02	37	Pin Ring Terminal	81
Sentri Seal	38	Pin Terminal	83
Spmb-01	39	Ring Terminal	84
Stainless Steel Cable Tie Stb · Mbt-Type	40	Y Terminal	86
Stainless Steel Cable Tie Stb · Mbt-Type	41	Isolator Coklat	87
Trunking	43	Rail	88
Wiring Duct (Close Slotted)	45	Relay	89
Wiring Duct (Slotted)	46	Socket Relay	90
		Terminal Block Tb Type	91
		Terminal Block Tr Type	92
		Terminal Block Viking Type	92
		Ampere Meter (Direct And Via Ct)	93

Volt Meter	93	Tee Ladder	133
Cam Switch	94	Elbow Ladder	134
Current Transformer	94	Cross Ladder	135
Digital Time Relay	95	Ir Ladder	136
Industrial Socket And Plug	95	Or Ladder	137
Insulator & Aluminum Rail	96	Reducer Ladder	138
Stb Type	96	Kabel Duct Type C	139
Slr Type (Rail Type)	96	Kabel Duct Profil U	140
End Plate	96	Cover Duct Type C Dan Dict Type U	141
Stopper	97	Elbow Duct	142
Round Type Busbar Holder / Cylinder	97	Cross Duct	143
Round Type Busbar Holder / Cylinder (Without Nipple)	97	Tee Duct	144
Square Type Busbar Holder	97	Ir Duct	145
Nh Fuse	98	Outside Riser Duct	146
3-Strunge Rolling Wheel Crs-3600	99	Reducer Duct	147
Direct Hydraulic Compressed Tools	100	Kabel Tray (Berlubang) Type C	148
Hand Ratchet Type Of Cable Bending Tool	105	Kabel Tray Type U	149
Pvc Tube Cutter	106	Cover Tray	
Hydraulic Pipe Benders	107	Penutup Rak Kabel Type C Dan Type U	150
Pocket Type Of Wire Stripper	107	Elbow Tray	151
Aluminum Hand Benders	108	Tee Tray	152
Hand Type Of Compressed Tools	109	Ir / Inside Riser Ladder	153
High Pressure Of Pump	110	Or / Outside Riser Ladder	154
Hydraulic Cutting Tools	112	Reducer Ladder	155
Cable, Steel Ropes Cutting Tools	115	Or / Outside Riser Ladder	156
Hydraulic Type Of Angle Steel Cutting Tools	116	Jis White Conduit	157
Screw Cap Cutting Tool	117	Plain Conduit (Threadless)	158
2 Ton-L-Grip	118	Set Screw (Threadless) Couplings	158
3 Ton-L-Grip	118	Thick Wall Conduit (Threaded)	159
Crs-10 Hydraulic Cable Releasing Frame	119	Set Screw (Threadless) Connectors	160
Crs-46 Hydraulic Cable Releasing Frame	119	Set Screw (Threadless) Normal Bends	160
Crs-4 Table Wire Releasing Tray	120	Set Screw (Threadless) Circular Surface Boxes (One Way)	161
Crs-5(A) Table Wire Releasing Tray	120	Set Screw (Threadless) Circularsurface Boxes (Two Way ; Through)	161
Crs-5(B) Table Wire Releasing Tray	121	Set Screw (Threadless) Circular Surface Boxes (One Way ; Angle)	162
Single-Acting Sold Plunger Design	122	Set Screw (Threadless) Circular Surface Boxes (Three Way ; Through)	162
Pulling-Wheel Tools	124	Set Screw (Threadless) Circular Surface Boxes (Four Way ; Through)	163
Foot Switch	125	Set Screw (Threadless) Surface Switch Boxes (One Way)	163
Ac - Dc Power Supplies	126	Set Screw (Threadless) Universal L L Type	164
Photo Electric Light Control	127	Set Screw (Threadless) Universal L B Type	164
Consumables	128	Set Screw (Threadless) Universal T Type	165
Electronic Lettering Machine Lm-550A	128	Set Screw (Threadless) Bushing	165
Kabel Ladder Type W/Slw	130		
Kabel Ladder Type U / Slu	131		
Cover Ladder Type W Dan Type U	132		

(For Conduit Ends)	165	Reducers	173
Plastic Bushing (With Cap)	166	Circular Surface Boxes (One Way)	173
Bushing	166	Circular Surface Boxes (One Way ; Through)	174
Saddles	167	Circular Surface Boxes (Two Way : Angle)	174
Union Couplings	167	Universal Ll Type	175
Lock Nuts	168	Universal Lb Type	175
Couplings	168	Universal T Type	176
Elbow Normal Bends	169	Box Screwdriver (With Reamer)	176
Setcrew Connectors	169	Hi-Hickey	177
Lock Nuts	170	Hi-Bender	177
Bushings	170	Ppr Pipe " Toro 25 "	178
Plastic Bushing With Caps	171	Fitting " Toro 25 " Made In Italy	179
Circular Surface Boxes (Three Way)	171	Pipe Pe-Al-Pe	181
Saddles Clamp	172	Fittings Pe-Al-Pe	182
Circular Surface Boxes (Four Way)	172	Welding Machine Ppr Pipe	187

The Best Metal Enclosure for Electrical Distribution works



Syafa Megah Perkasa menyediakan panel box jadi dalam berbagai tipe dan ukuran Produk kami meliputi panel box wall mounting dan floor standing. Saat ini kami memiliki 2 merk yaitu Exousia dan Valino. Keduanya dilengkapi material tahan air, kualitas internasional dan bersertifikasi.

EXOUSIA

Code	H	W	D	Steel Thickness	Lock (pcs)	Hinges (pcs)	GH(kg)
DN302015-12	300	200	150	1.5	1	2	2.8
DN302515-12	300	250	150	1.5	1	2	3.3
DN403020-15	400	300	200	1.5	1	2	6.7
DN504020-15	500	400	200	1.5	1	2	10
DN604020-15	600	400	200	2.0	2	2	13.8
DN604030-15	600	400	300	2.0	2	2	13.8
DN605020-15	600	500	200	2.0	2	2	16.5
DN705020-15	700	500	200	2.0	2	2	18.7
DN705025-15	700	500	250	2.0	2	2	20
DN806025-15	800	600	250	2.0	2	2	26
DN806030-15	800	600	300	2.0	2	2	27
DN907025-20	900	700	250	2.0	2	2	32.5
DN1008030-20	1000	800	300	2.0	3	3	55
DN1208030-20	1200	800	300	2.0	3	3	70
DN12010030-20	1200	1000	300	2.0	1	4	78
DN1408040-20	1400	800	400	2.0	1	5	82
DN14010040-20	1400	1000	400	2.0	1	5	97

Model kunci :



The Best Metal Enclosure for Electrical Distribution works



Syafa Megah Perkasa menyediakan panel box jadi dalam berbagai tipe dan ukuran Produk kami meliputi panel box wall mounting dan floor standing. Saat ini kami memiliki 2 merk yaitu Exousia dan Valino. Keduanya dilengkapi material tahan air, kualitas internasional dan bersertifikasi.

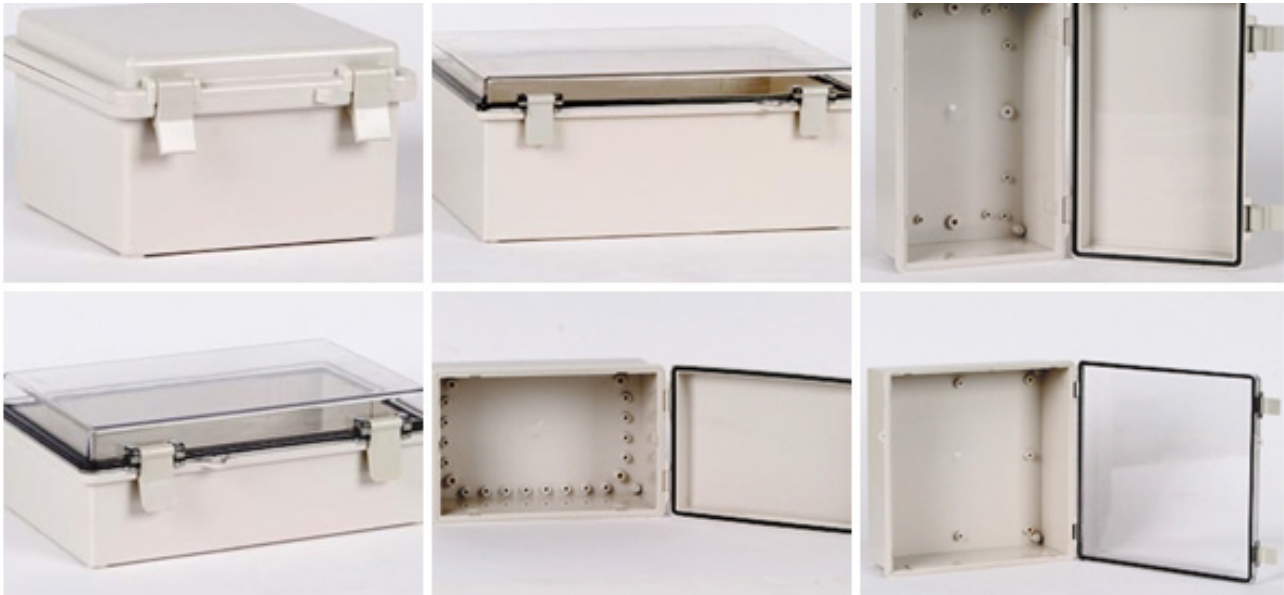
VALINO

Code	H	W	D	Steel Thickness	Lock (pcs)	Hinges (pcs)	GH(kg)
LL252015-10	250	200	150	1.2	1	2	2.5
LL302015-10	300	200	150	1.2	1	2	2.8
LL302515-10	300	250	150	1.2	1	2	3.3
LL403020-10	400	300	200	1.2	1	2	5.5
LL504020-12	500	400	200	1.2	1	2	8.35
LL604020-12	600	400	200	1.5	2	2	11
LL604025-12	600	400	250	1.5	2	2	12
LL604030-12	600	400	300	1.5	2	2	12.5
LL605020-12	600	500	200	1.5	2	2	13
LL705020-12	700	500	200	1.5	2	2	15
LL705025-12	700	500	250	1.5	2	2	16.5
LL806025-12	800	600	250	1.5	2	2	21
LL806030-12	800	600	300	1.5	2	2	22
LL907025-15	900	700	250	1.8	2	2	26.5
LL1008030-15	1000	800	300	1.8	3	3	42
LL1208030-15	1200	800	300	1.8	3	3	65
LL1208040-20	1200	800	400	2	3	3	71
LL12010030-20	1200	1000	300	2	1	4	78
LL1408040-20	1400	800	400	2	1	5	82
LL14010040-20	1400	1000	400	2	1	5	97

Model konci :



DSE HIBOX - NICE BOX



- ➔ 1/4 weight of metal box enables easy carry and efficient work. No corrosion and superior insulation.
- ➔ Waterproof and dust-free product which gets through strict quality inspections. Proved quality in many related tests (IP 66).
- ➔ Convenient to use for console-alternative rail and button box, mini terminal, signal box, gauge/ meter console, communication connection box and etc.

Passed IP-66-67, IK-08

TEAM	MODEL	SIZE	MATERIAL
Nice Box	NE-0001515	150X150X90	AG/PG/PCG/AT/PT/PCT
Nice Box	NE-000-1722	170x220x110	AG/PG/PCG/AT/PT/PCT
Nice Box	NE-000-1727	170X270X110	AG/PG/PCG/AT/PT/PCT
Nice Box	NE-000-1727-B	170x270x130	AG/PG/PCG/AT/PT/PCT
Nice Box	NE-000-1722-B	170x220x130	AG/PG/PCG/AT/PT/PCT
Nice Box	NE-000-1929-S	190X290X100	AG/PG/PCG/AT/PT/PCT
Nice Box	NE-000-1929-M	190X290X125	AG/PG/PCG/AT/PT/PCT
Nice Box	NE-000-1929	190X290X140	AG/PG/PCG/AT/PT/PCT
Nice Box	NE-000-2530-S	250X350X125	AG/PG/PCG/AT/PT/PCT
Nice Box	NE-000-2535	250X350X150	AG/PG/PCG/AT/PT/PCT
Nice Box	NE-000-2530	250X300X180	AG/PG/PCG/AT/PT/PCT
Nice Box	NE-000-2939-S	290X390X100	AG/PG/PCG/AT/PT/PCT
Nice Box	NE-000-2919-S	290X190X100	AG/PG/PCG/AT/PT/PCT
Nice Box	NE-000-2919	290X190X140	AG/PG/PCG/AT/PT/PCT
Nice Box	NE-000-2939-M	290X390X140	AG/PG/PCG/AT/PT/PCT
Nice Box	NE-000-2939	290X390X160	AG/PG/PCG/AT/PT/PCT
Nice Box	NE-000-3030	300X300X180	AG/PG/PCG/AT/PT/PCT
Nice Box	NE-000-3030-S	300X300X130	AG/PG/PCG/AT/PT/PCT
Nice Box	NE-000-3546	350X465X200	AG/PG/PCG/AT/PT/PCT
Nice Box	NE-000-3546-S	350X465X160	AG/PG/PCG/AT/PT/PCT

DSE HIBOX - TERMINAL BOX



- ➔ Terminal Box (draw latch type) can be customized by custom order.
- ➔ The most excellent box in function and performance among the plastic boxes currently in sale. With its reasonable price comparable to metal box, it strengthens competitiveness.
- ➔ Containing blocking/protection materials(E.M.I) against electromagnetic wave and static electricity, it contributes to protection of the related instruments to electric and electronic.
- ➔ Available to use for mini terminal box, signal box, terminal, pull box for lighting and etc. A large range of size is available to fit to various purposes.

Passed IP-66-67, IK-08

TEAM	PRODUCT CODE	SIZE(MM)	MATERIAL
Terminal Box	DS-000-1919	190X190X130	AG/PG/PCG/AT/PT/PCT
Terminal Box	DS-000-1938-B	190X380X180	AG/PG/PCG/AT/PT/PCT
Terminal Box	DS-000-2819-B1	190X280X230	AG/PG/PCG/AT/PT/PCT
Terminal Box	DS-000-2819-B	190X280X180	AG/PG/PCG/AT/PT/PCT
Terminal Box	DS-000-1938-B1	190X380X230	AG/PG/PCG/AT/PT/PCT
Terminal Box	DS-000-2819	190X280X130	AG/PG/PCG/AT/PT/PCT
Terminal Box	DS-000-2819-1	190X280X180	AG/PG/PCG/AT/PT/PCT
Terminal Box	DS-000-3819-1	190X380X180	AG/PG/PCG/AT/PT/PCT
Terminal Box	DS-000-3819	190X380X130	AG/PG/PCG/AT/PT/PCT
Terminal Box	DS-000-2828	280X280X130	AG/PG/PCG/AT/PT/PCT
Terminal Box	DS-000-3828-B1	280x380x230	AG/PG/PCG/AT/PT/PCT
Terminal Box	DS-000-3828-B	280x380x180	AG/PG/PCG/AT/PT/PCT
Terminal Box	DS-000-5628	280X560X130	AG/PG/PCG/AT/PT/PCT
Terminal Box	DS-000-3828	280X380X130	AG/PG/PCG/AT/PT/PCT
Terminal Box	DS-000-2834	280X340X130	AG/PG/PCG/AT/PT/PCT
Terminal Box	DS-000-3828-1	280X380X180	AG/PG/PCG/AT/PT/PCT
Terminal Box	DS-000-5638	380X560X180	AG/PG/PCG/AT/PT/PCT

EF-INTERLOCKED



A good combination of strenght, mechanical protection and flexibility



Liquid - Tight Flexible Metal Conduit - EF - Interlocked

The Product - Standard grade liquid - tight flexible conduit

Galvanized steel strip, interlocked.

Water – proof IP 65 Working Temp – 30 °C ~ 105 °C

High flexibility suitable to a wide range of application.

PVC jacket in black color.

Application

Seals Out abrasives, alcohol, fumes, gases, dirt, oils, water and spray suitable for the following potentials :

Machine tools, Silo and plant ,High rise buildings ,Air conditioning and ventilation, Computer ,Security,Cable protection,under ground cable protection.

Size		Diameter				Approx Bend	P.V.C Jacket Thickness		Length of Each roll
		Inner		Outside			min	Max	
inch	mm	min	max	min	max		min	Max	
1/2"	16	15.7	16.3	20.8	21.3	70	1.00	1.30	30
3/4"	20	20.7	21.3	26.2	26.7	100	1.25	1.55	30
1"	25	26.0	26.8	32.7	33.4	130	1.50	1.80	30
1-1/4"	35	34.6	35.4	41.5	42.2	180	1.25	1.55	15
1-1/2"	40	39.6	40.6	47.4	48.3	230	1.75	2.15	15
2"	50	51.8	51.8	59.4	60.3	430	2.15	2.65	15
2-1/2"	60	62.5	63.7	72.1	73.0	550	1.80	2.50	10
3"	75	77.6	78.8	87.8	88.9	800	2.20	2.90	10
4"	100	101.1	102.5	113.2	114.3	1200	2.35	3.05	10

Connector Flexible Metal



Connectors

Available in nickel plated brass, steel and zinc diecasting
High pull off strength.

Metric, PG, NPT threads.

Many types of connector are available to suit different applications.

To Box	To Pipe Non-Dreaded	To Pipe Dreaded
Size	Size	Size
1/2"	1/2" – E	1/2" – U
3/4"	3/4" – E	3/4" – U
1"	1" – E	1" – U
1 1/4"		
1 1/2"		
2"		
2 1/2"		
3"		
4"		

Flexible Metal Conduit Black



No.	Size diameter	Packing / roll
1	3/8"	50 m
2	1/2"	50 m
3	3/4"	50 m
4	1"	50 m
5	1-1/4"	30 m
6	1-1/2"	20 m
7	2"	20 m
8	2-1/2"	20 m
9	3"	10 m
10	4"	10 m

OSCG ADAPTOR OSAJ



- Flameproof & Increased Safety
- Application : Provides a means of connections between cable entry devices
- And equipment having dissimilar threads.

Adaptor Type / Size	Entry Thread Size (Metric)		Entry Thread Size (NPT)		Entry Thread Size (PG)		Hexagon Dimension (H)		
	M(male)	M1(female)	M(male)	M1(female)	M(male)	M1(female)	Metric	NPT	PG
OSAJ 20	M16	M20	-	-	PG7	PG11	H25X27	-	H21X23
					PG9				
					PG7	PG13.5			H25X28
					PG11				
OSAJ 25	M16	M25	3/8"	3/4"	PG7	PG16	H30X33	H30X33	H27X30
	M20		1/2"		PG9				
			PG11						
OSAJ 32	M16	M32	1/2"	1"	PG9	PG21	H37X40	H38X41	H34X37
	M20		3/4"		PG11				
	M25		-		PG13.5				
	-		-		PG16				
OSAJ 40	M20	M40	1/2"	1-1/4"	PG13.5	PG29	H46X50	H48X52	H42X46
	M25		3/4"		PG16				
	M32		1"		PG21				
OSAJ 50	M25	M50	3/4"	1-1/2"	PG13.5	PG36	H57X61	H55X59	H51X53
	M32		1"		PG16				
	M40		1-1/4"		PG21				
	-		-		PG29				
OSAJ 63	M32	M63	1"	2"	PG21	PG42	H70X75	H68X73	H60X65
	M40		1-1/4"		PG29				
	M50		1-1/2"		PG36				
OSAJ 75	M40	M75	1-1/4"	2-1/2"	PG29	PG48	H82X89	H82X88	H66X71
	M50		1-1/2"		PG36				
	M63		2"		PG42				
OSAJ 90	M50	M90	1-1/2"	3"	-	-	H98X106	H98X106	-
	M63		2"						
	M75		2-1/2"						
OSAJ 100	M63	M100	2"	3-1/2"	-	-	H 112X120	H 112X120	-
	M75		1-1/2"						
	M90		3"						

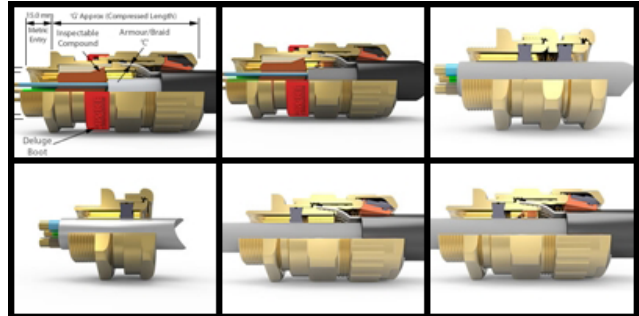
OSCG CABLE GLAND EIWF TYPE



- Application : Provide an earth bond attachment for cable gland.
- Material : Brass Nickle Plated Brass & Stainless Steel

OSET Type Size	Thread Size		D	d	L
	Metric	NPT			
OSET 16	M16	-	17.3	7	59.5
OSET 20	M20	1/2"	21.5	7	63.5
OSET 25	M25	3/4"	27.0	7	75
OSET 32	M32	1"	33.4	13.5	92.5
OSET 40	M40	1-1/4"	42.5	13.5	107.5
OSET 50	M50	1-1/2"	50.4	13.5	132.5
OSET 63	M63	2"	63.4	13.5	149.5
OSET 75	M75	2-1/2"	76.0	14	179
OSET 90	M90	3"	91.0	14	206
OSET 100	M100	3-1/2"	103.0	14	229
OSET 115	M115	4"	116.0	14	260

Hawke Cable Gland



Type

- -501/453/Universal Cable Gland, 501/421 Cable Gland, 501/423 Cable Gland Etc.
- Flameproof Exd / Increased Safety Exe / Restricted Breathing ExnR / Dust Extb / Dual Certified ATEX – IECEx

Application

- Outdoor or indoor use.
- For use with single wire armour 'W', wire braid 'X' and steel tape armour 'Z' elastomer and plastic insulated cables.
- For particular use with cables that exhibit 'cold flow' characteristics.

Features

- Provides armour clamping using one clamping arrangement for all armour/braid types.
- Provides a diaphragm seal on the cables inner sheath which will not damage cable that has 'cold flow' characteristics.
- Provides an outer deluge seal to prevent moisture ingress to the cable armour/braid.
- Provides a cable retention and low smoke and fume, zero halogen seal onto the cables outer sheath.

Materials & Finishes

- The 501/453/Universal cable gland is manufactured in Brass (standard), Nickel Plated Brass, 316 Stainless Steel or Aluminium. Brass NPT entries are nickel plated as standard.

Technical Data

Exd IIC Gb, Exe IIC Gb, ExnR IIC Gc,
Extb IIIC Db
Certificate No's
Baseefa06ATEX0057X and IECEx BAS
06.0014X

Suitable for use in:
Zone 1, Zone 2, Zone 21, Zone 22 and in
Gas Groups IIA, IIB and IIC.

Construction and Test Standards:
IEC/EN 60079-0, IEC/EN 60079-1, IEC/
EN 60079-7, IEC/EN 60079-15 and IEC/EN
60079-31.

Ingress Protection:
IP66, IP67 and IP 68* (30 metres for 7 days)
to IEC/EN 60529 and NEMA 4X.
*Additional installation procedures
required.

Deluge Protection to:
DTS01

Operating Temperature Range:
-60°C to +80°C

Assembly Instruction Sheet:
AI 300 (Sizes Os to F).
AI 303 (Sizes G to J).

A2 Industrial Brass Cable Gland for Non-Armoured Cable IP 65



Gland Size	Metric Entry Thread 'C'	MiN Thread Length 'D'	Overall Diameter 'A'		Across Corner Dia 'E' Max
			Min	Max	
20 S	20	15	8.00	10.80	27.0
20 L	20	15	11.00	14.70	31.0
25 S	25	15	12.00	16.00	35.0
25 L	25	15	13.00	20.30	39.0
32 S	32	15	16.50	23.00	47.5
32 L	32	15	19.00	26.20	47.5
40 S	40	20	23.00	29.00	57.0
40 L	40	20	26.00	34.00	57.0
50 S	50	20	32.00	41.00	65.0
50 L	50	20	36.00	45.00	73.0
63 S	63	20	43.00	50.80	80.0
63 L	63	20	48.00	56.50	89.0
75 S	75	20	55.00	62.00	97.0
75 L	75	20	61.00	68.50	105.0
90	90	20	67.00	80.00	118.0
100	100	24	86.00	90.00	118.9

Dimensions in Millimeters

CW Industrial Brass Cable Gland for Armoured Cable IP 65



Gland Size	Metric Entry Thread 'C'	Min Thread Length 'D'	Under Armour Dia 'A' Max	Overall Dia 'B' Max	Armour Wire Dia	Across Corner Dia 'E' Max	
20 S	20	10	8.0-11.8	12.9-17.2	0.9/1.25	27.0	
20 L	20	10	11.0-14.0	15.5-20.8	0.9/1.25	31.0	
25 S	25	10	12.0-17.0	17.5-24.0	1.25/1.60	35.0	
25 L	25	10	13.0-20.3	24.0-27.2	1.25/1.60	39.0	
32 S	32	10	17.0-24.0	25.0-31.0	1.60/2.00	47.5	
32 L	32	10	19.0-26.2	26.7-34.0	1.60/2.00	47.5	
40 S	40	15	23.0-30.0	31.0-38.5	1.60/2.00	57.0	
40 L	40	15	25.0-32.2	33.0-40.5	1.60/2.00	57.0	
50 S	50	20	31.5-38.2	39.5-46.8	2.00/2.50	65.0	
50 L	50	20	36.5-44.0	45.7-53.2	2.00/2.50	73.0	
63 S	63	20	42.5-50.0	52.1-59.0	2.50	80.0	
63 L	63	20	49.1-56.0	58.4-66.0	2.50	89.0	
75 S	75	20	54.5-62.0	64.8-72.0	2.50	97.0	
75 L	75	20	60.5-68.0	71.1-78.0	2.50	105.0	
90 S	90	20	66.0-76.0	77.0-86.0	2.50/3.15	118.0	
Dimensions in Millimeters							

BW Industrial Brass Cable Gland IP 65



Gland Size	Metric Entry Thread 'C'	Under Armour Dia 'A' Max	Overall Dia 'B' Max	Armour Wire Dia	Across Corner Dia 'E' Max	
20 S	20	11.5	16.0	0.9/1.25	26.5	
20 L	20	14.3	20.6	0.9/1.25	30.5	
25 S	25	16.2	22.9	1.25/1.60	35.0	
25 L	25	21.0	27.7	1.25/1.60	39.0	
32 S	32	25.7	32.0	1.60/2.00	45.0	
32 L	32	25.5	33.9	1.60/2.00	47.5	
40 S	40	30.2	39.2	1.60/2.00	53.5	
40 L	40	32.2	40.7	1.60/2.00	57.0	
50 S	50	39.2	48.6	2.00/2.50	65.0	
50 L	50	43.5	53.0	2.00/2.50	71.0	
63 S	63	50.0	59.2	2.50	80.0	
63 L	63	55.0	65.0	2.50	88.0	
75 S	75	62.0	71.5	2.50	97.0	
75 L	75	67.2	78.0	2.50	105.0	
Dimensions in Millimeters						

OSCG Cable Gland Elwf Type



- Wire Armoured Cable Gland, Flameproof & Increased Safety
- Application : Outdoor & Indoor
- For use with steel wire armoured cable for Zone1 & Zone2 in hazardous area.
- Double compression for outer/inner jacket of cable.
- Inspectable armoured clamping cable gland.

Part No.	Entry Thread		Cable Dia		Thread Length		Entry Hole Size		Armour Size	Hexagon Dimension (H)	Weight (g)	Length
	Metric	NPT	Inner A	Outer B	Metric	NPT	Metric	NPT				
E1WF-16a	M16/M20	½"	5 - 11	8 - 13	15	15	17	21	0.9/1.25	H25 X 27	150	67
E1WF-16b	M16/M20	½"	5 - 11	12 - 15.1	15	15	17	21	0.9/1.25	H25 X 27	150	67
E1WF-20a	M20	½ - 3/4"	8 - 15.1	13 - 17.5	15	15 / 16	21	22 / 27	0.9/1.25	H31 X 33	235	74
E1WF-20b	M20	½ - 3/4"	8 - 15.1	16 - 19.5	15	15 / 16	21	22 / 27	0.9/1.25	H31 X 33	235	74
E1WF-25a	M25	3/4" - 1"	13 - 19.5	17.5 - 22	15	16 / 18	26	27 / 34	1.25/1.6	H36 X 39	290	79
E1WF-25b	M25	3/4" - 1"	13 - 19.5	21 - 26	15	16 / 18	26	27 / 34	1.25/1.6	H36 X 39	290	79
E1WF-32a	M32	1" - 1-1/4"	17.5 - 26	22 - 28	15	18 / 19	33	34 / 43	1.6/2.0	H45 X 49	490	86
E1WF-32b	M32	1" - 1-1/4"	17.5 - 26	27 - 32	15	18 / 19	33	34 / 43	1.6/2.0	H45 X 49	490	86
E1WF-40a	M40	1-1/4" - 1-1/2"	22 - 32	30 - 35	15	19 / 21	41	43 / 50	1.6/2.0	H55 X 59	850	94
E1WF-40b	M40	1-1/4" - 1-1/2"	22 - 32	35.1 - 40	15	19 / 21	41	43 / 50	1.6/2.0	H55 X 59	850	94
E1WF-50a	M50	1-1/2" - 2"	30 - 41.5	38 - 45	15	21 / 24	51	50 / 62	1.8/2.5	H68 X 73	1390	100
E1WF-50b	M50	1-1/2" - 2"	30 - 41.5	43 - 50	15	21 / 24	51	50 / 62	1.8/2.5	H68 X 73	1390	100
E1WF-63a	M63	2" - 2-1/2"	38 - 54	48 - 53	15	24 / 27	64	62 / 74	1.8/2.5	H82 X 88	2070	108
E1WF-63b	M63	2" - 2-1/2"	38 - 54	51 - 56	15	24 / 27	64	62 / 74	1.8/2.5	H82 X 88	2070	108
E1WF-63c	M63	2" - 2-1/2"	38 - 54	55 - 60	15	24 / 27	64	62 / 74	1.8/2.5	H82 X 88	2070	108
E1WF-75a	M75	2-1/2" - 3"	49 - 66	56 - 62	20	27 / 30	76	74 / 90	1.8/2.5	H98 X 106	3270	125
E1WF-75b	M75	2-1/2" - 3"	49 - 66	62.1 - 66	20	27 / 30	76	74 / 90	1.8/2.5	H98 X 106	3270	125
E1WF-75c	M75	2-1/2" - 3"	49 - 66	66.1 - 70	20	27 / 30	76	74 / 90	1.8/2.5	H98 X 106	3270	125
E1WF-75d	M75	2-1/2" - 3"	49 - 66	68 - 75	20	27 / 30	76	74 / 90	1.8/2.5	H98 X 106	3270	125
E1WF-90a	M90	3" - 3-1/2"	63 - 77	74 - 83	20	30 / 32	91	90 / 102	1.8/3.0	H110 X 120	4600	132
E1WF-90b	M90	3" - 3-1/2"	63 - 77	82 - 90	20	30 / 32	91	90 / 102	1.8/3.0	H110 X 120	4600	132
E1WF-100a	M100	3-1/2" - 4"	73.1 - 85	89 - 94	20	32	101	102 / 116	1.8/3.0	H120 X 130	5500	144
E1WF-100b	M100	3-1/2" - 4"	73.1 - 85	93 - 98	20	32	101	102 / 116	1.8/3.0	H120 X 130	5500	144

OSCG Cable Gland Elxf Type



- Wire Armoured Cable Gland, Flameproof & Increased Safety
- Application : Outdoor & Indoor
- For use with steel wire armoured cable for Zone1 & Zone2 in hazardous area.
- Double compression for outer/inner jacket of cable.
- Inspectable armoured clamping cable gland.

Part No.	Entry Thread		Cable Dia		Thread Length		Entry Hole Size		Armour Size	Hexagon Dimension (H)	Weight (g)	Length
	Metric	NPT	Inner A	Outer B	Metric	NPT	Metric	NPT				
E1XF-16a	M16/M20	½"	5 - 11	8 - 13	15	15	17	21	0.05/0.8	H25 X 27	150	67
E1XF-16b	M16/M20	½"	5 - 11	12 - 15.1	15	15	17	21	0.05/0.8	H25 X 27	150	67
E1XF-20a	M20	½ - ¾"	8 - 15.1	13 - 17.5	15	15 / 16	21	22 / 27	0.05/0.8	H31 X 33	235	74
E1XF-20b	M20	½ - ¾"	8 - 15.1	16 - 19.5	15	15 / 16	21	22 / 27	0.05/0.8	H31 X 33	235	74
E1XF-25a	M25	¾" - 1"	13 - 19.5	17.5 - 22	15	16 / 18	26	27 / 34	0.05/0.8	H36 X 39	290	79
E1XF-25b	M25	¾" - 1"	13 - 19.5	21 - 26	15	16 / 18	26	27 / 34	0.05/0.8	H36 X 39	290	79
E1XF-32a	M32	1" - 1-¼"	17.5 - 26	22 - 28	15	18 / 19	33	34 / 43	0.05/1.2	H45 X 49	490	86
E1XF-32b	M32	1" - 1-¼"	17.5 - 26	27 - 32	15	18 / 19	33	34 / 43	0.05/1.2	H45 X 49	490	86
E1XF-40a	M40	1-¼" - 1-½"	22 - 32	30 - 35	15	19 / 21	41	43 / 50	0.05/1.2	H55 X 59	850	94
E1XF-40b	M40	1-¼" - 1-½"	22 - 32	35.1 - 40	15	19 / 21	41	43 / 50	0.05/1.2	H55 X 59	850	94
E1XF-50a	M50	1-½" - 2"	30 - 41.5	38 - 45	15	21 / 24	51	50 / 62	0.05/1.2	H68 X 73	1390	100
E1XF-50b	M50	1-½" - 2"	30 - 41.5	43 - 50	15	21 / 24	51	50 / 62	0.05/1.2	H68 X 73	1390	100
E1XF-63a	M63	2" - 2-½"	38 - 54	48 - 53	15	24 / 27	64	62 / 74	0.05/1.2	H82 X 88	2070	108
E1XF-63b	M63	2" - 2-½"	38 - 54	51 - 56	15	24 / 27	64	62 / 74	0.05/1.2	H82 X 88	2070	108
E1XF-63c	M63	2" - 2-½"	38 - 54	55 - 60	15	24 / 27	64	62 / 74	0.05/1.2	H82 X 88	2070	108
E1XF-75a	M75	2-½" - 3"	49 - 66	56 - 62	20	27 / 30	76	74 / 90	0.05/1.2	H98 X 106	3270	125
E1XF-75b	M75	2-½" - 3"	49 - 66	62.1 - 66	20	27 / 30	76	74 / 90	0.05/1.2	H98 X 106	3270	125
E1XF-75c	M75	2-½" - 3"	49 - 66	66.1 - 70	20	27 / 30	76	74 / 90	0.05/1.2	H98 X 106	3270	125
E1XF-75d	M75	2-½" - 3"	49 - 66	68 - 75	20	27 / 30	76	74 / 90	0.05/1.2	H98 X 106	3270	125
E1XF-90a	M90	3" - 3-½"	63 - 77	74 - 83	20	30 / 32	91	90 / 102	0.05/1.6	H110 X 120	4600	132
E1XF-90b	M90	3" - 3-½"	63 - 77	82 - 90	20	30 / 32	91	90 / 102	0.05/1.6	H110 X 120	4600	132
E1XF-100a	M100	3-½" - 4"	73.1 - 85	89 - 94	20	32	101	102 / 116	0.05/1.6	H120 X 130	5500	144
E1XF-100b	M100	3-½" - 4"	73.1 - 85	93 - 98	20	32	101	102 / 116	0.05/1.6	H120 X 130	5500	144

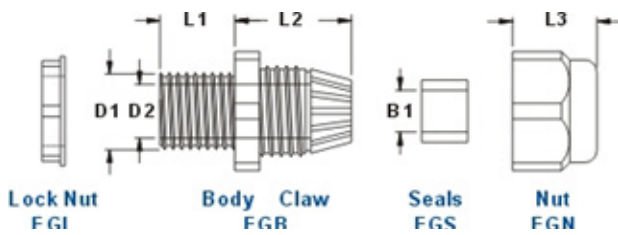
OSCG Cable Gland Osnj-A2f Type



- Wire Armoured Cable Gland, Flameproof & Increased Safety
- Application : Outdoor & Indoor
- For use with Un armoured cable for Zone1 & Zone2 in hazardous area.
- Double compression for outer/inner jacket of cable.
- Single compression for jacket of cable

Part No.	Entry Thread		Cable Dia Inner A	Thread Length		Entry Hole Size		Hexagon Dimension (H)	Weight (g)	Length
	Metric	NPT		Metric	NPT	Metric	NPT			
OSNJ-A2F-16a	M16/M20	½"	3 – 7.5	15	15	17	21	H24 X 28	75/95	31
OSNJ-A2F -16b	M16/M20	½"	6.1 – 10	15	15	17	21	H24 X 28	75/95	31
OSNJ-A2F -20a	M20	½ - 3/4"	10.1 – 13	15	15 / 16	21	22 / 27	H27 X 29	95	33
OSNJ-A2F -20b	M20	½ - 3/4"	13.1 – 15	15	15 / 16	21	22 / 27	H27 X 29	85	33
OSNJ-A2F -25a	M25	3/4" - 1"	14 – 17.5	15	16 / 18	26	27 / 34	H32 X 34	125	34
OSNJ-A2F -25b	M25	3/4" - 1"	16.1 – 19.5	15	16 / 18	26	27 / 34	H32 X 34	115	34
OSNJ-A2F -32a	M32	1" - 1-1/4"	18.1 – 22	15	18 / 19	33	34 / 43	H39 X 41.5	195	38
OSNJ-A2F -32b	M32	1" - 1-1/4"	21 – 26	15	18 / 19	33	34 / 43	H39 X 41.5	175	38
OSNJ-A2F -40a	M40	1-1/4" - 1-1/2"	24 – 28	15	19 / 21	41	43 / 50	H48 X 51	300	40
OSNJ-A2F -40b	M40	1-1/4" - 1-1/2"	27 – 32	15	19 / 21	41	43 / 50	H48 X 51	265	40
OSNJ-A2F -50a	M50	1-1/2" – 2"	32.1 – 34	15	21 / 24	51	50 / 62	H58 X 62	425	42
OSNJ-A2F -50b	M50	1-1/2" – 2"	34.1 – 40	15	21 / 24	51	50 / 62	H58 X 62	360	42
OSNJ-A2F -63a	M63	2" – 2-1/2"	38 – 44	15	24 / 27	64	62 / 74	H73 X 78	680	46
OSNJ-A2F -63b	M63	2" – 2-1/2"	43 – 50	15	24 / 27	64	62 / 74	H73 X 78	575	46
OSNJ-A2F -63c	M63	2" – 2-1/2"	49 – 54	15	24 / 27	64	62 / 74	H73 X 78	575	46
OSNJ-A2F -75a	M75	2-1/2" – 3"	52 – 56	20	27 / 30	76	74 / 90	H85 X 90	875	52
OSNJ-A2F -75b	M75	2-1/2" – 3"	55 – 60	20	27 / 30	76	74 / 90	H85 X 90	860	52
OSNJ-A2F -75c	M75	2-1/2" – 3"	59 – 62	20	27 / 30	76	74 / 90	H85 X 90	750	52
OSNJ-A2F -75d	M75	2-1/2" – 3"	62.1 – 66	20	27 / 30	76	74 / 90	H85 X 90	725	52
OSNJ-A2F -90a	M90	3" – 3-1/2"	63 – 70	20	30 / 32	91	90 / 102	H103 X 113	1690	60
OSNJ-A2F -90b	M90	3" – 3-1/2"	68 – 76	20	30 / 32	91	90 / 102	H103 X 113	1480	60
OSNJ-A2F -100a	M100	3-1/2" – 4"	73.1 – 81	20	32	101	102 / 116	H112 X 120	2250	69
OSNJ-A2F -100b	M100	3-1/2" – 4"	81.1 - 85	20	32	101	102 / 116	H112 X 120	2005	69

Nylon Cable Gland



PG THREAD(DIN STANDARD) WITHOUT WASHER

Unit : mm

Item No.	PG THREAD D1	D2	B1	L1	L2	L3	Cable Range	Packing		
EG-7	PG-7	12.5	8.3	6.9	7.9	20.0	13.3	3.5~6	50 pcs	
EG-9	PG-9	15.2	10.5	8.0	7.9	22.0	15.1	4~8		
EG-11	PG-11	18.3	13.2	10.5	7.9	23.7	18.3	5~10		
EG-13.5	PG-13.5	20.4	15.5	12.0	8.9	24.6	18.9	6~12		
EG-16	PG-16	22.5	17.2	14.0	9.8	26.2	19.5	10~14		
EG-19	PG-19	25.3	20.4	16.4	9.8	28.0	21.7	11~16		
EG-21	PG-21	28.3	22.4	18.4	10.8	30.0	23.7	13~18	25 pcs	
EG-29	PG-29	37.0	30.6	25.0	10.8	35.0	27.4	18~25		
EG-36	PG-36	47.0	35.3	35.5	14.5	42.3	30.3	22~32		10 pcs
EG-42	PG-42	54.0	40.0	40.0	14.5	44.0	31.2	30~38		
EG-48	PG-48	59.3	46.2	46.0	15.6	42.7	31.3	34~44		
EG-63	PG-63	75.3	62.4	61.0	17.8	47.0	33.7	40~58		

- Available in Metric thread

OSCG Shrouds Ossh



- Application : Outdoor & Indoor
- For fitting over cable glands when additional
- Environmental conditions are require.
- Material : EPDM/CR70.
- Colour : Black.

OSSH Type Size	A (XF/WF)			B (NJ)			C (NJ-D)		
	D	d	L	D	d	L	D	d	L
OSSH 16	28	6	93	24	4	52	25	4	93
OSSH 20	35	10	98	28	7	55	28	6	93
OSSH 25	40	14	102	32	12	59	35	10	98
OSSH 32	50	18	115	40	15	65	40	14	102
OSSH 40	60	24	124	50	21	71	50	18	115
OSSH 50	74	30	132	60	28	79	60	24	124
OSSH 63	89	38	152	74	30	132	74	30	132
OSSH 75	107	53	171	89	38	152	89	38	152
OSSH 90	121	72	175	107	53	171	107	53	171
OSSH 100	131	86	190	121	72	175	121	82	175

OSCG Reducer Osra Type



- Flameproof & Increased Safety
- Application : Outdoor & Indoor
- Provide a means of connection between cable entry devices And equipment having dissimilar threads.

Reducer Type / Size	Entry Thread Size (Metric)		Entry Thread Size (NPT)		Entry Thread Size (PG)		Hexagon Dimension (H)			
	M (male)	M1 (female)	M (male)	M1 (female)	M (male)	M1 (female)	Metric	NPT	PG	
OSRA 20	M20	M16	-	-	PG11	PG7	H25X27	-	-	H21X23
						PG9				
					PG13.5	PG7				H25X27
						PG9				
OSRA 25	M25	M16	¾"	½"	PG16	PG9	H30X33	H30X33	H25X29	
M20		-		PG11						
-		-		PG13.5						
OSRA 32	M32	M16	1"	½"	PG21	PG11	H38X41	H38X41	H34X37	
		M20		¾"		PG13.5				
		M25		-		PG16				
OSRA 40	M40	M20	1-1/4"	½"	PG29	PG13.5	H45X48	H45X48	H43X46	
		M25		¾"		PG16				
		M32		1"		PG21				
OSRA 50	M50	M25	1-1/2"	¾"	PG36	PG16	H55X59	H55X59	H52X56	
		M32		1"		PG21				
		M40		1-1/4"		PG29				
OSRA 63	M63	M32	2"	1"	PG42	PG21	H68X72	H68X72	H60X65	
		M40		1-1/4"		PG29				
		M50		1-1/2"		PG36				
OSRA 75	M75	M40	2-1/2"	1-1/4"	PG48	PG29	H82X88	H82X88	H65X71	
		M50		1-1/2"		PG36				
		M63		2"		PG42				
OSRA 90	M90	M50	3"	1-1/2"	-	-	H88X106	H88X106	-	
		M63		2"						
		M75		2-1/2"						
OSRA 100	M100	M63	3-1/2"	2"	-	-	H112X122	H112X122	-	
		M75		2-1/2"						
		M90		3"						

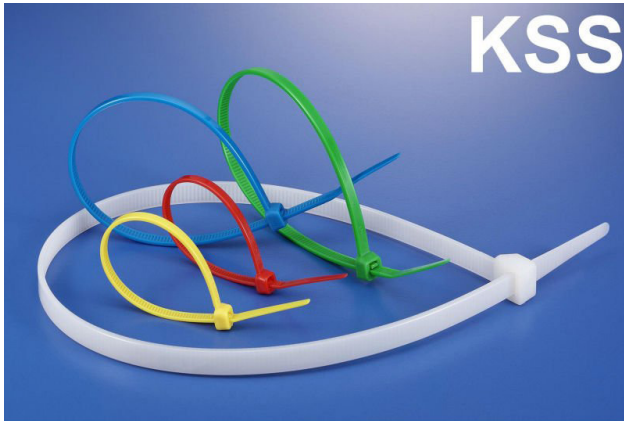
OSCG STOPPING PLUG OSSP-H & OSSP-R Type



- Flameproof & Increased Safety
- Application : To close unused cable gland entries and maintain the Flame proof and increase safety integrity of the equipment.

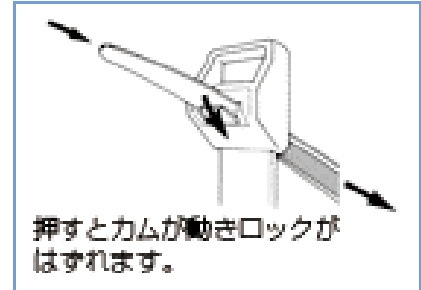
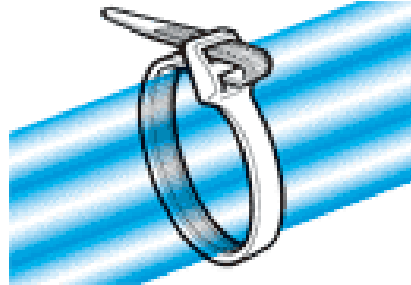
Stopping plug Type / Size		Entry Thread Size (M)		Thread Length (L)		Hexagon Dimension (H)		Weight (g)	
OSSP-H	OSSP-R	Metric	NPT	Metric	NPT	Metric	NPT	Metric,NPT (H)	Metric,NPT (R)
OSSP-H16	OSSP-R16	M16	-	15	-	24/26	-	50	35
OSSP-H20	OSSP-R20	M20	½"	15	15	27/29	27/29	75	55
OSSP-H25	OSSP-R25	M25	¾"	15	16	30/33	30/33	100	90
OSSP-H32	OSSP-R32	M32	1"	15	18	38/41	38/41	120	155
OSSP-H40	OSSP-R40	M40	1-1/4"	15	19	46/49	46/49	195	250
OSSP-H50	OSSP-R50	M50	1-1/2"	15	21	55/60	55/60	310	410
OSSP-H63	OSSP-R63	M63	2"	15	24	70/76	70/76	475	655
OSSP-H75	OSSP-R75	M75	2-1/2"	15	27	82/88	82/88	730	890
OSSP-H90	OSSP-R90	M90	3"	20	30	98/105	98/105	950	1150
OSSP-H100	OSSP-R100	M100	3-1/2"	20	32	108/116	108/116	1285	1550

NYLON CABLE TIE

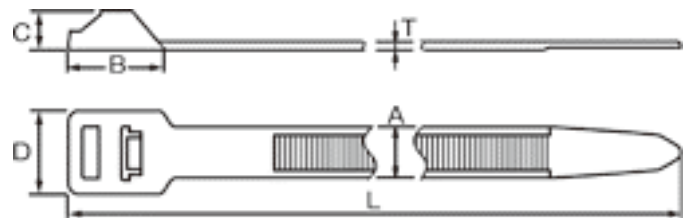


No.	Item No.				L		W	Max. Bundle	Min. Tensile
	Natural		Black		Strength	inch	m.m.	m.m.	lbs(kgs)
	100 pcs	1000 pcs	100 pcs	1000 pcs					
1	CV-100	CV-100K	CV-100B	CV-100KB	100	4"	2.5	22	18 (8)
2	CV-150S		CV-150B		150	6"	2.5	36	40 (18)
3	CV-150	CV-150K	CV-150SB	CV-150KB	155	6 1/8"	3.6	39	18 (8)
4	CV-200M		CV-200MB		203	8"	2.5	55	18 (8)
5	CV-200S		CV-200SB		203	8"	3.2	53	40 (18)
6	CV-200		CV-200B		203	8"	4.6	52	50 (22)
7	CV-250M		CV-250MB		250	10"	3.6	68	40 (18)
8	CV-250		CV-250B		250	10"	4.8	68	50 (22)
9	CV-300S		CV-300SB		300	11 5/8"	4.8	83	50 (22)
10	CV-300		CV-300B		300	11 7/8"	7.6	80	120 (55)
11	CV-310		CV-310B		310	12"	4.8	86	50 (22)
12	CV-340		CV-340B		340	13 1/2"	7.6	92	120 (55)
13	CV-380		CV-380B		380	15"	7.6	105	120 (55)
14	CV-385		CV-385B		385	15 3/16"	4.8	110	50 (22)
15			CV-432B		432	17"	4.8	125	50 (22)
16	CV-450		CV-450B		450	17 3/4"	8.0	128	175 (80)
17	CV-450M		CV-450MB		450	17 3/4"	4.8	131	50 (22)
18	CV-500		CV-500B		500	19 11/16"	4.8	147	50 (22)
19	CV-500L		CV-500LB		500	19 11/16"	8.0	143	175 (80)
20	CV-550		CV-550B		550	21 11/16"	8.0	160	175 (80)
21	CV-762				762	30"	9.0	227	175 (80)
22	CV-812				812	32"	9.0	243	175 (80)
23	CV-1168				1168	46"	9.0	356	175 (80)

Releasable Cable Ties (RT250 type)



Rasshingutai the tray and conduit for cable, cable ties used to secure heavy industrial thick line. 230mm ~ 1020mm Length up.



Standard type here

Standard UL approved

UL products include non-certified standards.

For more information, " UL products get "Please check. Note: the selection of tie points



Nylon 66		Bond diameter mm	寸法 mm Dimensions mm						Loop Tensile Strength (Min)N (kgf)	Packing unit	Case artificial eye artificial eye This
Standard	W Weatherproof		L	A	B	C	D	T			
Milky white	Black										
RT250S	RT250S-W	12.0 to 50	230	12.5	22.4	9.5	20.0	1.9		25	1,000
RT250R	RT250R-W	12.0 to 125	515	12.5	22.4	9.5	20.0	1.9		25	750
RT250M	RT250M-W	12.0 to 150	565	12.5	22.4	9.5	20.0	1.9		25	500
RT250I	RT250I-W	12.0 to 200	735	12.5	22.4	9.5	20.0	2.2		25	500
RT250L	RT250L-W	12.0 to 254	880	12.5	22.4	9.5	20.0	2.2		25	250
RT250XL	RT250XL-W	12.0 to 295	1020	12.5	22.4	9.5	20.0	2.2		25 25	250 250

There are repeat mechanism, can be removed after the bond.

* Product color photograph, the nature of a computer display may look different from the actual color

Nylon MARKER TIE



Material: UL approved NYLON 66, 94V-2

The and identify bundles of cable in one operation.
Flat areas may be imprinted or wirtten on with a Marking Pen.



Item No.	Length	Width	Max. Bundle	Tensile Strength		Marking Pad Size	Packing	Unit:mm
	m.m.	m.m.	m.m.	lbs	kgs			
MCV-100	100	2.5	25	18	8	25X8	100 pcs	
MCV-110	100	2.5	25	18	8	25X8		
MCV-200	110	4.6	50	50	22	28X13		

DRAGON SEAL



Dragon Seal is a special design with double Locking Mechanisme for extra strong. Its tightening seals made of high quality plastic material incorporating stainless steel locking mechanisme. Available with big tag and side tear off facility option. The strap is smooth for easy handling and flexible but durable. The locking mechanisme is strong and resistant to freezing and intense heat.

KEY FEATURES

- Smooth strap user friendly and easy sealing
- Hight security metal locking mechanisme
- Strong strap
- No tools required for removal
- Laser printing provides highest level of security

TYPICAL APPLICATION

Postal Bags, Courier Bags, Cash Bags, Fuel Oil Tanker, Edible oil Tanker

SPECIFICATION

- Supplied in mat form with 5 pieces per mat
- Available in variety of colors
- Customized name/logo and sequential serial number
- Suitable for temperature ranging from -20oC to 80oC
- Laser marking / barcode / hot stamping
- Material Polypropylene

DIMENSION

- Total Lenght (TOL) 410mm
- Working Lenght (WL) 350mm
- Strap Thickness (T) : 6.0mm
- Strap Width (W) : 2.0mm
- Tag Length (TL) : 65mm
- Tag Width (TW) : 30mm
- Weight per Box : 7.0 kg
- Box Dimension (LXWXH) : 48 x 36 x 42 cm
- Quantity Per Box : 1.000 pcs

JW 250



JW 250 is a variable length pull tight seals made of high quality plastic material incorporating stainless steel locking mechanism. Available with big tag and side tear off facility option. The strap is smooth for easy handling and flexible but durable. The locking mechanism is strong and resistant to freezing and intense heat.

KEY FEATURES

- Smooth strap user friendly and easy sealing
- High security metal locking mechanism
- Strong strap
- No tools required for removal (option).
- Laser printing provides highest level of security

TYPICAL APPLICATION

Postal Bags, Courier Bags, Cash Bags, Fuel Oil Tanker, Edible oil Tanker

SPECIFICATION

- Supplied in mat form with 5 pieces per mat
- Available in variety of colors
- Customized name/logo and sequential serial number
- Suitable for temperature ranging from -20oC to 80oC
- Laser marking / barcode / hot stamping
- Material Polypropylene

DIMENSION

- Total Length (TOL) 305mm
- Working Length (WL) 250mm
- Strap Thickness (T) : 2.0mm
- Strap Width (W) : 2.0mm
- Tag Length (TL) : 55mm
- Tag Width (TW) : 30mm
- Weight per Box : 4.10 kg
- Box Dimension (LXWXH) : 35 x 34 x 20 cm
- Quantity Per Box : 1.000 pcs

KLICKER



KLICKER is made of steel encapsulated with high impact plastic material. .

KEY FEATURES

- Coated metal pin to prevent corrosion
- High security locking
- Double printing surface
- Pin and barrel are moulded together for easy handling
- Easy locking
- Laser printing provides highest of security

TYPICAL APPLICATION

Trailer, Cargo Container, Rail freight

SPECIFICATION

- Available in variety of colours
- Customized name / logo and sequential serial number
- Same serial number can be printed on the pin and barrel
- Suitable for temperatures ranging from 40oC to 110oC
- Breaking strenght approximate 1.500kg

DIMENSION

- Total Length (TOL) : 85mm
- Strap Thickness (T) : 11mm
- Strap Width (W) : 9.6mm
- Tag Length (TL) : 28mm
- Tag Width (TW) : 21mm
- Weight per Box : 16.58 kg, Nett weight : 16.00 kg
- Box Dimension (LXWXH) : 585mm x 360mm x 200mm
- Quantity Per Box : 250 pcs

MJW 120ST



MJW 120ST is a variable length pull tight seals made of high quality plastic material incorporating stainless steel locking mechanism. The strap is smooth for easy handling and flexible but durable. The locking mechanism is strong and resistant to freezing and intense heat.

KEY FEATURES

- Smooth strap user friendly and easy sealing
- High security metal locking mechanism
- Strong strap
- Laser printing provides highest level of security

TYPICAL APPLICATION

Postal Bags, Courier Bags, Cash Bags, Fuel Oil Tanker, Edible oil Tanker

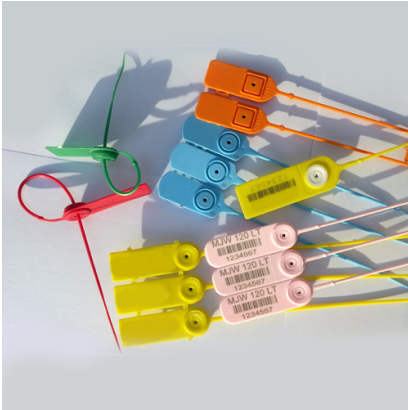
SPECIFICATION

- Supplied in mat form with 5 pieces per mat
- Available in variety of colors
- Customized name/logo and sequential serial number
- Suitable for temperature ranging from -20oC to 80oC
- Laser marking / barcode / hot stamping
- Material Polypropylene

DIMENSION

- Total Length (TOL) 155mm
- Working Length (WL) 120mm
- Strap Thickness (T) : 1.8mm
- Strap Width (W) : 1.8mm
- Tag Length (TL) : 1.8mm
- Tag Width (TW) : 30mm
- Weight per Box : 2.0 kg
- Box Dimension (LXWXH) : 23 x 21 x 24 cm
- Quantity Per Box : 1.000 pcs

MJW 200LT



MJW 200LT is a variable length pull tight seals made of made of high quality plastic material incorporating stainless steel locking mechanism. The strap is smooth for easy handling and flexible but durable. The locking mechanism is strong and resistant to freezing and intense heat.

KEY FEATURES

- Smooth strap user friendly and easy sealing
- High security metal locking mechanism
- Strong strap
- Laser printing provides highest level of security

TYPICAL APPLICATION

Postal Bags, Courier Bags, Cash Bags, Fuel Oil Tanker, Edible oil Tanker

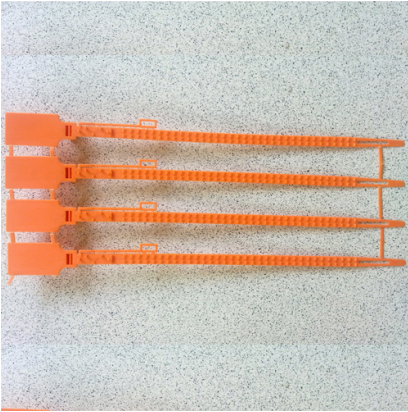
SPECIFICATION

- Supplied in mat form with 5 pieces per mat
- Available in variety of colors
- Customized name/logo and sequential serial number
- Suitable for temperature ranging from -20oC to 80oC
- Laser marking / barcode / hot stamping
- Material Polypropylene

DIMENSION

- Total Length (TOL) 247mm
- Working Length (WL) 200mm
- Strap Thickness (T) : 2.0mm
- Strap Width (W) : 2.0mm
- Tag Length (TL) : 47mm
- Tag Width (TW) : 18mm
- Weight per Box : 2.5 kg
- Box Dimension (LXWXH) : 28 x 22 x 29 cm
- Quantity Per Box : 1.000 pcs

PI 300



PI 300 is a tightening seals made of made of high quality plastic material. The strap is strong and easy handling and flexible but durable. PI 300 seal is single molded seal with good security.

KEY FEATURES

- Smooth strap user friendly and easy sealing
- High security locking mechanism
- Strong strap
- Tools required for removal
- Laser printing provides highest level of security

TYPICAL APPLICATION

Postal Bags, Courier Bags, Cash Bags, Fuel Oil Tanker, Edible oil Tanker

SPECIFICATION

- Supplied in mat form with 5 pieces per mat
- Available in variety of colors
- Customized name/logo and sequential serial number
- Suitable for temperature ranging from -20oC to 80oC
- Laser marking / barcode / hot stamping
- Material Polypropylene

DIMENSION

- Total Length (TOL) : 315mm
- Working Length (WL) : 225mm
- Strap Thickness (T) : 1.8mm
- Strap Width (W) : 8.0mm
- Tag Length (TL) : 40mm
- Tag Width (TW) : 25mm
- Weight per Box : 7.0 kg
- Box Dimension (LXWXH) : 40 x 34 x 39 cm
- Quantity Per Box : 1.000 pcs

RING S SEAL



RING S SEAL is a fixed length seals made of high quality plastic material incorporating engineering plastic locking mechanism. The strap is smooth for easy handling and flexible but durable. The locking mechanism is strong and resistant to freezing and intense heat.

KEY FEATURES

- Wide and thick strong strap
- High security dual locking action
- No tools required for removal
- Securing and spection indicator
- Laser printing provides highest level of security

TYPICAL APPLICATION

Trailer, Container, Refineries, Warehouse, Fire Door, Locker, Fuel Oil Tanker, Edible oil Tanker

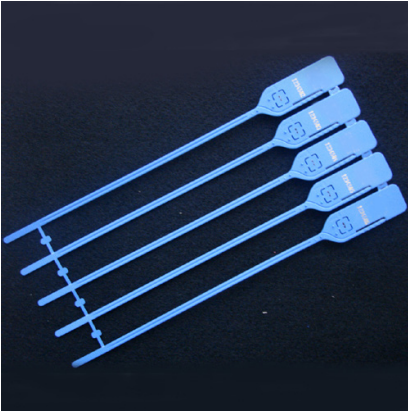
SPECIFICATION

- Supplied in mat form with 5 pieces per mat
- Available in variety of colors
- Customized name/logo and sequential serial number
- Suitable for temperature ranging from -20oC to 80oC
- Hot stamping Printing
- Material Polypropylene

DIMENSION

- Total Length (TOL) 210mm
- Working Length (WL) 180mm
- Strap Thickness (T) : 1.2mm
- Strap Width (W) : 8.0mm
- Tag Length (TL) : 140mm
- Tag Width (TW) : 8.0mm
- Weight per Box : 3.0 kg
- Box Dimension (LXWXH) : 29 x 24 x 20 cm
- Quantity Per Box : 1.000 pcs

SEN-01



SEN-01 is a variable length pull tight seals made of made of high quality plastic material incorporating stainless steel locking mechanism. Available with big tag and side tear off facility option. The strap is smooth for easy handling and flexible but durable. The locking mechanism is strong and resistant to freezing and intense heat.

KEY FEATURES

- Smooth strap user friendly and easy sealing
- High security metal locking mechanism
- Strong strap
- No tools required for removal (option).
- Laser printing provides highest level of security

TYPICAL APPLICATION

Postal Bags, Courier Bags, Cash Bags, Fuel Oil Tanker, Edible oil Tanker

SPECIFICATION

- Supplied in mat form with 5 pieces per mat
- Available in variety of colors
- Customized name/logo and sequential serial number
- Suitable for temperature ranging from -20oC to 80oC
- Laser marking / barcode / hot stamping
- Material Polypropylene

DIMENSION

- Total Length (TOL) 465mm
- Working Length (WL) 400mm
- Strap Thickness (T) : 1.8mm
- Strap Width (W) : 6.5mm
- Tag Length (TL) : 65mm
- Tag Width (TW) : 30mm
- Weight per Box : 8.85 kg
- Box Dimension (LXWXH) : 48 x 36 x 42 cm
- Quantity Per Box : 1.000 pcs

SEN-02



SEN-02 is a variable length pull tight seals made of made of high quality plastic material incorporating stainless steel locking mechanism. The strap is smooth for easy handling and flexible but durable. The locking mechanism is strong and resistant to freezing and intense heat.

KEY FEATURES

- Smooth strap user friendly and easy sealing
- High security metal locking mechanism
- Strong strap
- No tools required for removal (option).
- Laser printing provides highest level of security

TYPICAL APPLICATION

Postal Bags, Courier Bags, Cash Bags, Fuel Oil Tanker, Edible oil Tanker

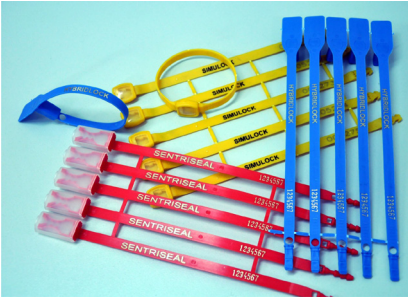
SPECIFICATION

- Supplied in mat form with 5 pieces per mat
- Available in variety of colors
- Customized name/logo and sequential serial number
- Suitable for temperature ranging from -20oC to 80oC
- Laser marking / barcode / hot stamping
- Material Polypropylene

DIMENSION

- Total Length (TOL) 365mm
- Working Length (WL) 300mm
- Strap Thickness (T) : 1.8mm
- Strap Width (W) : 6.5mm
- Tag Length (TL) : 65mm
- Tag Width (TW) : 30mm
- Weight per Box : 7.2 kg
- Box Dimension (LXWXH) : 40 x 34 x 39 cm
- Quantity Per Box : 1.000 pcs

SENTRI SEAL



SENTRI SEAL is a fixed length seals made of high quality plastic material incorporating engineering plastic locking mechanism. The strap is smooth for easy handling and flexible but durable. The locking mechanism is strong and resistant to freezing and intense heat.

KEY FEATURES

- Transparent Tag positively indicates tampering
- No tools required for removal
- Securing and spection indicator
- Hot stamping printing
- Resistant to boiling and freezing

TYPICAL APPLICATION

Trailer, Container, Refineries, Warehouse, Fire Door, Locker, Fuel Oil Tanker, Edible oil Tanker

SPECIFICATION

- Supplied in mat form with 10 pieces per mat
- Available in variety of colors
- Customized name/logo and sequential serial number
- Suitable for temperature ranging from -40oC to 150oC
- Laser marking / barcode / hot stamping
- Material Polypropylene

DIMENSION

- Total Length (TOL) 240mm
- Working Length (WL) 240mm
- Strap Thickness (T) : 1.0mm
- Strap Width (W) : 8.0mm
- Tag Length (TL) : 150mm
- Tag Width (TW) : 8.0mm
- Weight per Box : 5.0 kg
- Box Dimension (LXWXH) : 40 x 21 x 22 cm
- Quantity Per Box : 1.000 pcs

SPMB-01



SPMB-01 is made of steel encapsulated with high impact plastic material.

KEY FEATURES

- Coated metal pin to prevent corrosion
- High security locking
- Double printing surface
- Pin and barrel are moulded together for easy handling
- Easy locking
- Laser printing provides highest of security

TYPICAL APPLICATION

Trailer, Cargo Container, Rail freight

SPECIFICATION

- Available in variety of colours
- Customized name / logo and sequential serial number
- Same serial number can be printed on the pin and barrel
- Suitable for temperatures ranging from 40oC to 110oC
- Breaking strenght approximate 1.000kg

DIMENSION

- Total Length (TOL) : 81mm
- Strap Thickness (T) : 9.6mm
- Strap Width (W) : 9.6mm
- Tag Length (TL) : 28mm
- Tag Width (TW) : 21mm
- Weight per Box : 13.5 kg (30.36 lbs), Nett weight : 13.2 kg (29 lbs)
- Box Dimension (LXWXH) : 450mm x 330mm x 185mm (18" x 13" x 7")
- Quantity Per Box : 200 pcs

Stainless steel Cable Tie STB・MBT-type

Outdoors, outdoor, underground, underwater and harsh environments



●自動ロックの構造

メタルタイには、タイのヘッド部にスチールのボールが入っています。このボールはタイをスムーズに挿入する働きと共に、結束後にはヘッド部の傾斜のため、ストッパーとして機能します。ボールとタイの強い摩擦力で、強力な結束力が得られます。



Thai Metal unity of stainless steel in Thailand, indoor and outdoor, as well as suitable for use in harsh environments such as underground or underwater.

Fire resistance, weather resistance, radiation resistance, chemical resistance with and prevent deterioration of water again.

With high tensile strength, self-locking mechanism quickly, safely and reliably can be united.

M-BOSS and the Metal Plate can also be identified with.

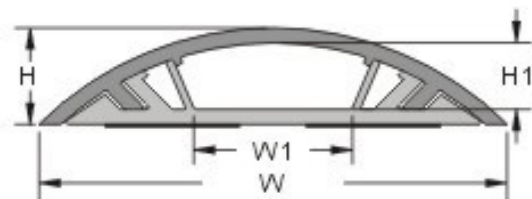


Type	Ordering / Grade Material	Max Bundle Dia. φ mm	Dimension mm						Loop Tensile Strength (Min) N (Kgf)	Operating temperature limit	Packing Unit
	316 Stainless		L	A	B	C	D	T			
S Type	STB-152S	25	152	4.5	11.0	4.5	6.3	670 (68.32)	- 80 ~ + 538	100	
	STB-200S	50	200							100	
	STB-360S	102	360							100	
	STB-520S	152	520							100	
	STB680S	203	680							100	
	STB840S	254	840							100	
M Type	STB-1050S	318	1050	8.0	14.0	5.7	10.3	1,115 (113.70)	- 80 ~ + 538	25	
	STB-152S	25	152							50	
	STB-200M	50	200							50	
	STB-360M	102	360							50	
	STB-520M	152	520							50	
	STB-680M	203	680							50	
MTB Type	STB-840M	254	840	12.3	14.5	5.4	14.6	1,200 (122.4)	- 80 ~ + 538	50	
	STB-1050M	318	1050							25	
	MBT14XH	102	362							50	
	MBT20XH	152	521							50	
	MBT27XH	203	681							50	
	MBT33XH	245	838							5	

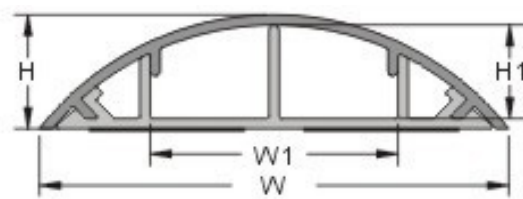
Stainless steel Cable Tie STB · MBT-type



- Material: High impact, warp-proof PVC, self-extinguishing, UL approved 94V-0.
- Maximum service temperature: 85°C
- Color: Grey (Brown, Milk, Light grained, Dark Grained available on request).
- Backed with high quality double sided tape for permanent stick. Good for floor wiring to facilitate trolley pass and to avoid trip.
- Special grooves design to avoid slip. Shining cover facilitate for decoration and suitable for department store, supermarket, shopping mall, station, hotel, hospital, office and any other public area.



RD-20, 30, 40, 50, 60



RD-70, 90, 120

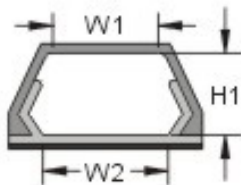
Unit: mm						
Item No.		W	W1	H	H1	Length
RD-20	Grey	20.0	8.0	6.0	4.0	1M
RD-20BN	Brown					
RD-20MW	Milk					
RD-20LX	Light grained					
RD-20DX	Dark grained					
RD-30	Grey	30.0	11.0	8.0	6.0	
RD-30BN	Brown					
RD-30MW	Milk					
RD-30LX	Light grained					
RD-30DX	Dark grained	40.0	16.0	9.5	7.0	
RD-40	Grey					
RD-40BN	Brown					
RD-40MW	Milk					
RD-40LX	Light grained	50.0	20.0	11.0	8.0	
RD-40DX	Dark grained					
RD-50	Grey					
RD-50BN	Brown					
RD-50MW	Milk	50.0	20.0	11.0	8.0	
RD-50LX	Light grained					
RD-50DX	Dark grained					

Unit: mm						
Item No.		W	W1	H	H1	Length
RD-60	Grey	60.0	30.0	13.0	9.0	1M
RD-60BN	Brown					
RD-60MW	Milk					
RD-60LX	Light grained					
RD-60DX	Dark grained					
RD-70	Grey	70.0	40.0	15.0	10.0	
RD-70BN	Brown					
RD-70MW	Milk					
RD-70LX	Light grained					
RD-70DX	Dark grained					
RD-90	Grey	90.0	45.0	19.0	15.0	
RD-90BN	Brown					
RD-90MW	Milk					
RD-90LX	Light grained					
RD-90DX	Dark grained					
RD-120	Grey	120.0	70.0	25.0	21.0	
RD-120BN	Brown					
RD-120MW	Milk					
RD-120LX	Light grained					
RD-120DX	Dark grained					

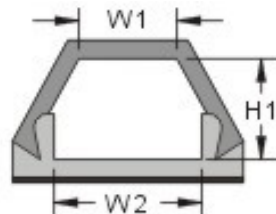
Trunking



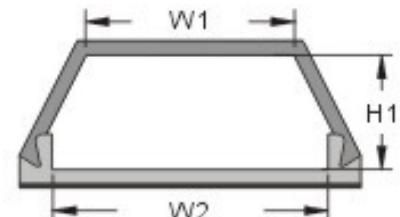
- Material: High impact, warp-proof PVC, self-extinguishing, UL approved 94V-0.
- Color: Grey (Brown, Dark Brown, White, Milk, Light Grained, Dark Grained available.)
- Length: 1M (2M available upon request)



TC-0.5, 1, 2, 3, 3.5



TC-1.5, 4, 5, 6

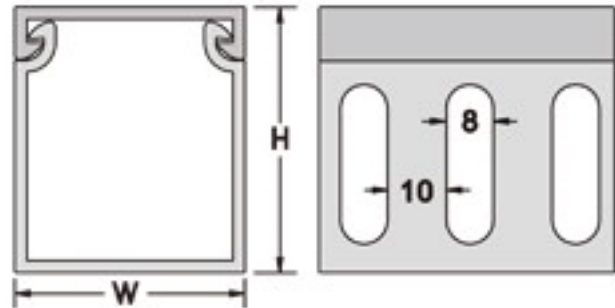
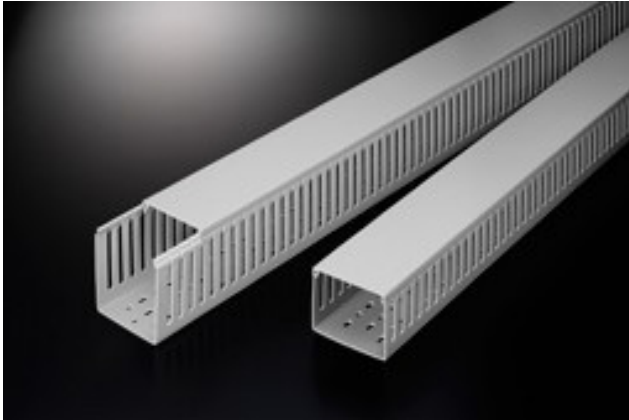


TC-8

Unit: mm						
Item No.		W	W1	H	H1	Length
TC-0.5	Grey	20.0	8.0	6.0	4.0	1M
TC-0.5BN	Brown					
TC-0.5MW	Milk					
TC-1	Grey					
TC-1BN	Brown	30.0	11.0	8.0	6.0	
TC-1DB	Dark Brown					
TC-1WE	White					
TC-1MW	Milk					
TC-1LX	Light grained					
TC-1DX	Dark grained	40.0	16.0	9.5	7.0	
TC-1BK	Black					
TC-1.5	Grey					
TC-1.5BN	Brown					
TC-1.5MW	Milk	50.0	20.0	11.0	8.0	
TC-1.5LX	Light grained					
TC-1.5DX	Dark grained					
TC-2	Grey					
TC-2BN	Brown					
TC-2DB	Dark Brown					
TC-2WE	White					

Unit: mm						
Item No.		W	W1	H	H1	Length
TC-2MW	Milk					
TC-2LX	Light grained					
TC-2DX	Dark grained					
TC-2BK	Black					
TC-3	Grey					
TC-3BN	Brown					
TC-3DB	Dark Brown					
TC-3WE	White					
TC-3MW	Milk					
TC-3LX	Light grained					
TC-3DX	Dark grained					
TC-3BK	Black					
TC-3.5	Grey					
TC-3.5BN	Brown					
TC-3.5DB	Dark Brown					
TC-3.5WE	White					
TC-3.5MW						
TC-3.5LX						
TC-3.5DX						
TC-4						
TC-4BN						
TC-4DB						
TC-4WE						
TC-4MW						
TC-4LX						
TC-4DX						
TC-4BK						
TC-5						
TC-5BN						
TC-5DB						
TC-5WE						
TC-5MW						
TC-5LX						
TC-5DX						
TC-5BK						
TC-6						
TC-6BN						
TC-6DB						
TC-6WE						
TC-6MW						
TC-6LX						
TC-6DX						

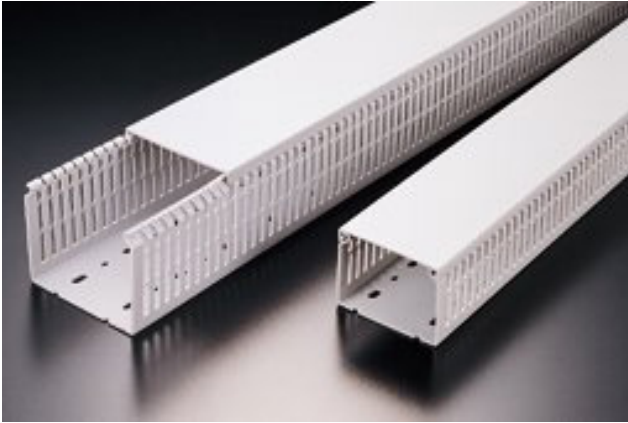
Wiring Duct (Close Slotted)



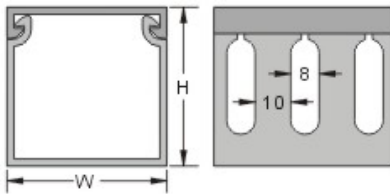
- Close slot design facilitate easy installation or removal of cover.
- Larger slot suitable for big wire, and vaporize the heat from cables much quickly.
- Slot can be cut when enlarge slot is necessary.

Unit : mm				
Item No.		WxH	Wires to be Contained (16-14 AWG)	Length
Slot				
8mm	17mm			
VDC-2530		25 x 30	15 ~ 25 pcs	2M
VDC-4040		40 x 40	60 ~ 70 pcs	
VDC-8040		80 x 40	120 ~ 135 pcs	
VDC-5050		50 x 50	80 ~ 90 pcs	
VDC-2560		25 x 60	40 ~ 45 pcs	
VDC-4060	LDC-4060	40 x 60	100 ~ 115 pcs	
VDC-6060	LDC-6060	60 x 60	120 ~ 135 pcs	
VDC-8060	LDC-8060	80 x 60	180 ~ 210 pcs	
	LDC-3365	33 x 65	60 ~ 75 pcs	
	LDC-4565	45 x 65	110 ~ 120 pcs	
	LDC-6565	65 x 65	180 ~ 200 pcs	
VDC-4080	LDC-4080	40 x 80	120 ~ 135 pcs	
VDC-6080	LDC-6080	60 x 80	180 ~ 210 pcs	
VDC-8080	LDC-8080	80 x 80	240 ~ 290 pcs	
	LDC-33100	33 x 100	180 ~ 200 pcs	
VDC-40100		40 x 100	130 ~ 175 pcs	
	LDC-48100	48 x 100	215 ~ 250 pcs	
VDC-100100	LDC-100100	100 x 100	300 ~ 400 pcs	

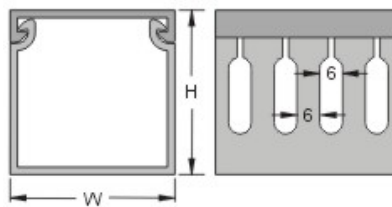
Wiring Duct (Slotted)



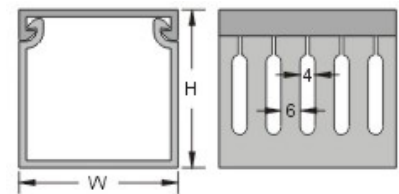
- Material: High impact, warp-proof PVC, self-extinguishing, UL approved 94V-0.
- Color: Grey
- Maximum service temperature: 85
- UL Test up to 50.
- These devices are for routing of wires within devices in factory installations.
- Features parallel holes on both sidewalls to facilitate cutting in wire application.
- Special color, size, length upon request of reasonable quantity.



MD SOLT 8mm



KD SOLT 6mm



HD SOLT 4mm

Unit : mm					
Item No.			WxH	Wires to be Contained (16-14 AWG)	Length
Slot					
8mm	6mm	4mm			
MD-0.5L		HD-0.5L	15 x 25	5 ~ 12 pcs	2M
MD-0.7L		HD-0.7L	20 x 20	5 ~ 12 pcs	
MD-0L		HD-0L	25 x 25	10 ~ 25 pcs	
MD-1L	KD-1L	HD-1L	25 x 45	20 ~ 25 pcs	
MD-1.1L		HD-1.1L	30 x 30	15 ~ 25 pcs	
MD-1.2L	KD-1.2L	HD-1.2L	33 x 33	25 ~ 45 pcs	
MD-1.5L	KD-1.5L	HD-1.5L	33 x 45	40 ~ 55 pcs	
MD-2L	KD-2L	HD-2L	45 x 45	60 ~ 70 pcs	
MD-2.2L		HD-2.2L	50 x 50	80 ~ 90 pcs	
MD-2.5L	KD-2.5L	HD-2.5L	65 x 45	110 ~ 120 pcs	
MD-3L	KD-3L	HD-3L	33 x 65	60 ~ 75 pcs	
MD-4L	KD-4L	HD-4L	25 x 65	40 ~ 45 pcs	
MD-5L	KD-5L	HD-5L	45 x 65	110 ~ 120 pcs	
MD-5.5L	KD-5.5L	HD-5.5L	60 x 60	120 ~ 135 pcs	
MD-5.7L	KD-5.7L	HD-5.7L	65 x 65	180 ~ 200 pcs	
MD-6L			72 x 64	200 ~ 220 pcs	
MD-6.5L		HD-6.5L	33 x 100	180 ~ 200 pcs	

Unit : mm					
Item No.			WxH	Wires to be Contained (16-14 AWG)	Length
Slot					
8mm	6mm	4mm			
MD-6.6L			37.5 x 100	180 ~ 200 pcs	
MD-6.7L	KD-6.7L	HD-6.7L	48 x 100	215 ~ 250 pcs	
MD-6.8L			55 x 100	220 ~ 260 pcs	
MD-6.9L			75 x 75	200 ~ 250 pcs	
MD-7L			70 x 100	250 ~ 300 pcs	
MD-7.1L			75 x 100	260 ~ 320 pcs	
MD-7.2L			100 x 50	200 ~ 250 pcs	
MD-7.5L			100 x 75	260 ~ 320 pcs	
MD-8L	KD-8L	HD-8L	100 x 100	300 ~ 400 pcs	
MD-9L			120 x 75	280 ~ 380 pcs	
MD-10L			150 x 75	335 ~ 500 pcs	
MD-12L			150 x 100	450 ~ 600 pcs	
MD-15L			200 x 100	600 ~ 800 pcs	
MD-21L			200 x 150	1040 ~ 1200 pcs	
MD-22L			200 x 200	1200 ~ 1600 pcs	
MD-30L			300 x 100	1040 ~ 1200 pcs	

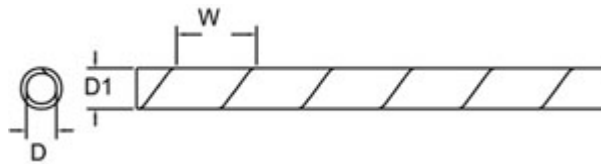
Spiral Wrapping Band



Description:

1. Flexible construction enables bands to follow wire ways easily.
2. Durable, reusable with retained spiral strength.
3. Fix ends of band with KSS cable ties and spiral wire bundles in clockwise direction to complete works.
4. Expand spiral range almost without limit.
 - A economical way of cable binding. Easily applied to electric harness. Cables and wire bundles. Cut-to-fit versatility in convenient roll-form.

- Material: Made from P.E. material. Excellent in insulation and binding strength.
- Color: Standard in natural. Black and Colors available upon request.



Item No.	O.D.	T	W	Wrapping Range(mm£p)	Packing
KS-6	4.5	0.6	6.7	4~25	10M/ bag
KS-8	8.0	0.75	12.0	6~30	
KS-10	10.0	0.8	12.3	7.5~30	
KS-12	12.0	0.85	15.0	9~32	
KS-15	15.0	1.0	15.5	12~35	
KS-19	19.0	1.2	19.2	15~50	
KS-24	24.0	1.3	21.5	20~100	

Movable Bushing



- P.P. extruded movable bushing.
- 10M per roll packed in a plastic bag.
- Cut to fit any hole sizes for protecting cords, wires, cables against damage from sharp panel edges.
- Also available in moulded Nylon bushing. 25cm per piece packed per bag. For your order, please add "N" to standard item no. Otherwise, will be treated as standard ones.

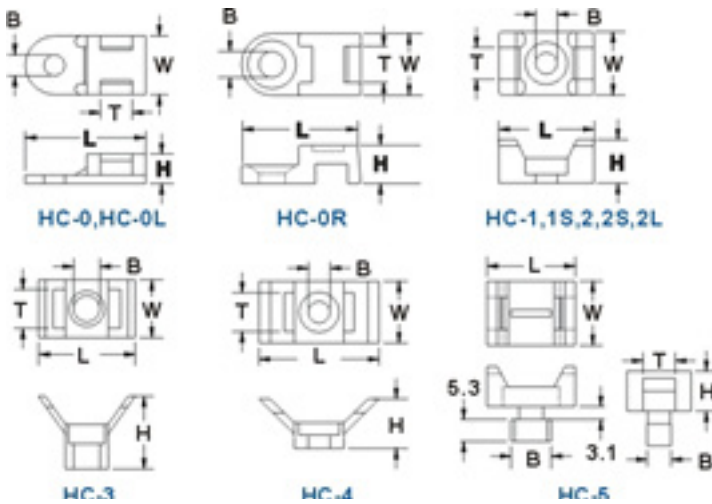


Item No.	T	Max. Chassis Thickness	Packing	Material
KG-010	1.0	1.0	25cm/per pcs 100pcs/bag	Nylon
KG-012	1.2	1.0-1.2		
KG-016	1.6	1.0-1.6		
KG-020	2.0	1.6-2.0		
KG-024	2.4	2.0-2.4		
KG-032	3.2	2.4-3.2		
KG-045	4.5	3.2-4.5		

Saddle Type Tie Mount



- Material : UL approved Nylon 66, 94V-2 To apply with KSS nylon cable ties :
- HC-0: CV-075, 094, ... 280, 310
- HC-1: CV-075, 094, ... 280, 310
- HC-2: All applicable sizes
- Saddle design provide maximum stability to wire bundles. To apply, simply fix mount with a screw and secure wire bundles with KSS nylon cable ties.



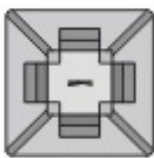
Unit:mm

Item No.	H	L	W	T	B	Packing
HC-0	5.0	19.6	9.5	5.2	3.7	100 pcs
HC-1	7.0	15.0	10	5.1	3.5	
HC-2	9.8	23.0	16	9.0	6.3	

Self Adhesive Tie Mount



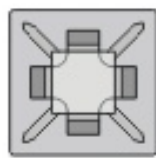
- Material: UL approved Nylon 66, 94V-2
- Color: Natural, available in other colors.
- SELF-ADHESIVE TIE MOUNTS is designed to support light weight wire bundles when properly applied on any clean, smooth, grease-free surface. For heavy support. mounting hole is provided for screws.
- To apply, simply peel off backing paper and apply mount to surface. After that, cable ties can be inserted to secure wire bundles.



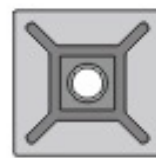
HC-100



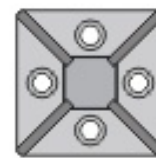
HC-101S



HC-101



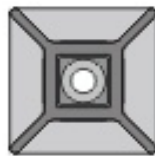
HC-102



HC-3838



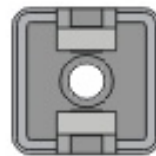
HC-103



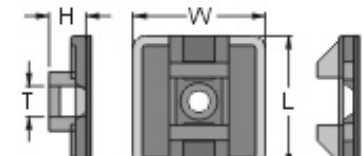
HC-25



HC-19R, 26R



HC-18T



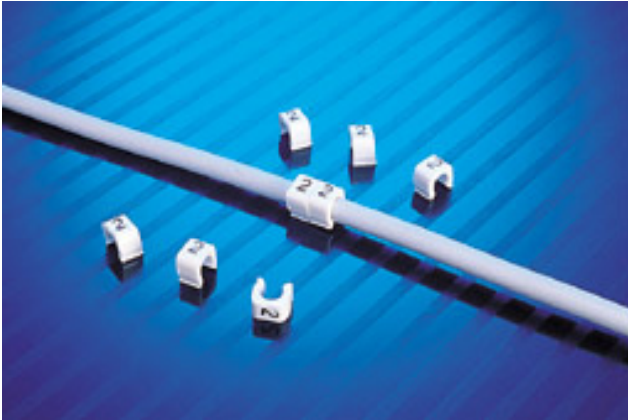
HC-26T

HC-100-S4 4pcs on a strip (Simply peel off backing paper)
 HC-101S-S2 2pcs on a strip (Simply peel off backing paper)

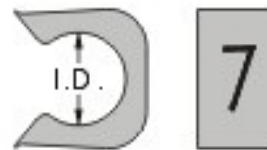
Unit: mm

Item No.	L	W	H	Mounting Hole	T	Packing
HC-100-S4	12.5	12.5	3.2		3.2	100 pcs / Bag
HC-101S-S2	19.5	19.5	3.9	3.2	4.6	
HC-101S	19.5	19.5	3.9	3.2	4.6	
HC-101	21.8	21.8	4.0		4.8	
HC-102	28.6	28.6	5.3	5.0	5.5	
HC-103	29.2	29.2	5.4	5.0	5.5	
HC-25	26.1	26.1	6.0	4.3	8.0	
HC-19R	18.9	18.9	4.6	4.8	4.2	
HC-26R	26.3	26.3	6.0	5.0	5.6	
HC-18T	19.0	19.0	5.0	4.4	4.1	
HC-26T	26.5	26.5	7.4	4.3	5.8	
HC-3838	38.5	38.5	7.6	5.0	10.2	

Clip On Cable Marker



- Material: Rigid P.V.C.
- Maximun service temperature: 85.
- Clip on design.
- Can be applied after wire termination.



Unit: mm						
Item No.	I.D.			L	Std. Markings	Packing
	Suitable Wire		Wire Dia.			
	sq	AWG				
CM-0.75	0.75	18	3.0	4.0	Solid number or letter roll for 0, 1, 2, 3,....9 A, B, C, D,....Z + , - , / , $\frac{\square}{\square}$, Blank	100 pcs / Bag
CM-1.25	1.25	16	3.2	4.0		
CM-2.0	2.0	14	3.6	4.0		
CM-3.5	3.5	12	4.2	4.0		
CM-5.5	5.5	10	5.1	4.0		
CM-8	8.0	8	6.2	4.0		

Ec Type Cable Marker



- Marker tongue spans to fit various cable diameters and retracts to hold wires firmly in position
- Maximum service temperature: 85oC
- Material : Made of finest soft grade, strong, durable P.V.C. that will resist oil, grease, acid abrasion and chemicals.

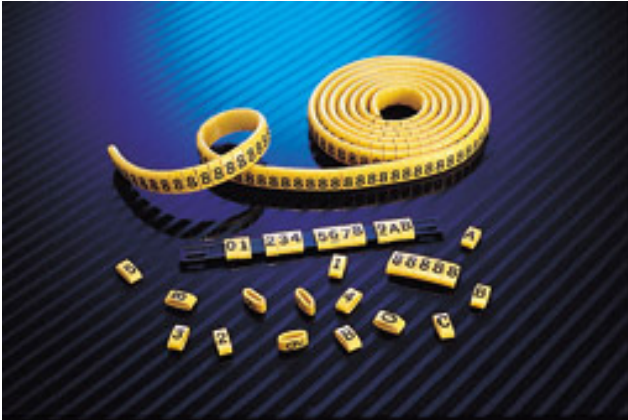


Description:

1. KSS EC type cable marker features high quality flexible interior to fit various cable diameters.
2. The markers stay attached on a roller and can be despatched easily when needed.
3. Bold print on yellow body to show your codes distinguishly. Any numbers can be composed by arranging letters and numbers in sequence to provide the necessary codes.
4. To be fitted before the terminal is attached or solder connection made and grip cables firmly in position.

Unit:mm				
Price / Roll	ITEM No.	Dia.Range mm Min -- Max	Standard Marking	Packing
Rp.44.000,-	EC-0	2.0~3.2	Solidnumber or letter roll for 0,1,2,3,....9 A,B,....Z +,-,(earth) blank/(slang) *EC-1:a,b,c,....z	1000 pcs
	EC-1	3.0~4.2		1000 pcs
	EC-2	3.6~7.4		500 pcs
	EC-3	5.2~10.0		250 pcs

Flat Cable Marker



Flat cable marker with its unique oval shape design provide two ways of cable identification.

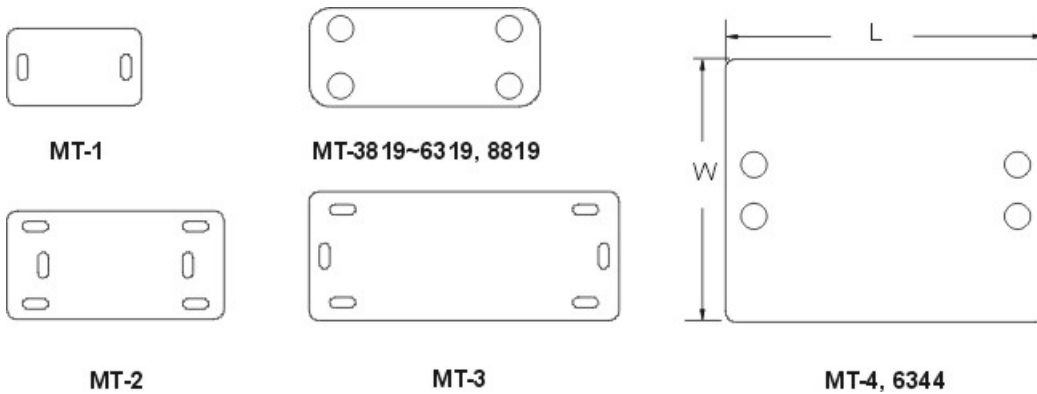
- Slip over cable directly (for small cable)
- Slip onto marker strip (for larger cable or cable bundles)

Unit : mm						
Item No.	Cable Dia Suitable Wire		Marker Length	Std. Markings	Packing	Price / pack
	sq	mm				
FM-1	2-8	3.5-7.0	5	0,1,2,3,...9 A,B,C,D,...Z + , - , blank	500	50.000

Marker Plate



- Material: Nylon. (Natural)
- Used to mark cable bundles for permanent identification.
- Secured with KSS cable ties extensively from CV-075 to CV-200 in variety of ways.



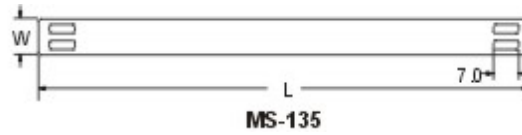
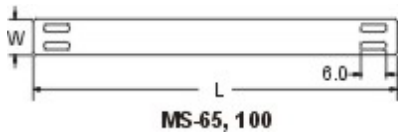
Unit: mm				
Item No.	L	W	T	Packing
MT-1	26	15.2	1.2	100 pcs
MT-2	42.2	21.2	1.2	
MT-3	60.8	25.2	1.2	
MT-4	62.2	51.5	1.3	

Marker Strip



Nylon plate with cable tie fastening hole to accommodate Marker pieces for easy identification of cable runs.

- MS-65 accommodates a maximum of 9 flat cable markers reference FM-1.
- MS-100 takes a maximum of 16 flat cable markers reference FM-1.

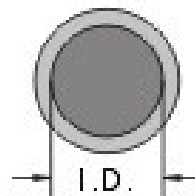


Unit : mm					
ITEM No.	L	W	T	Available loaded quantity of FM-1 Cable Marker	Packing
MS-65	65	9	6.7	9 pcs	100 pcs
MS-100	100	9	6.95	16 pcs	100 pcs

Marker Tube

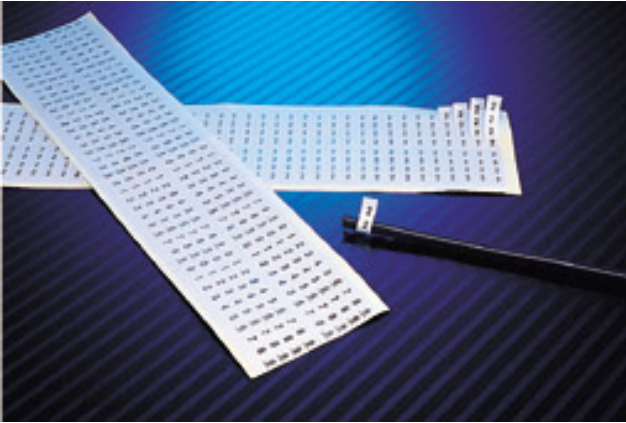


- Material: Soft PVC (bright white)
- OMT Feature: Good for printing machine with smooth design inside the tube.



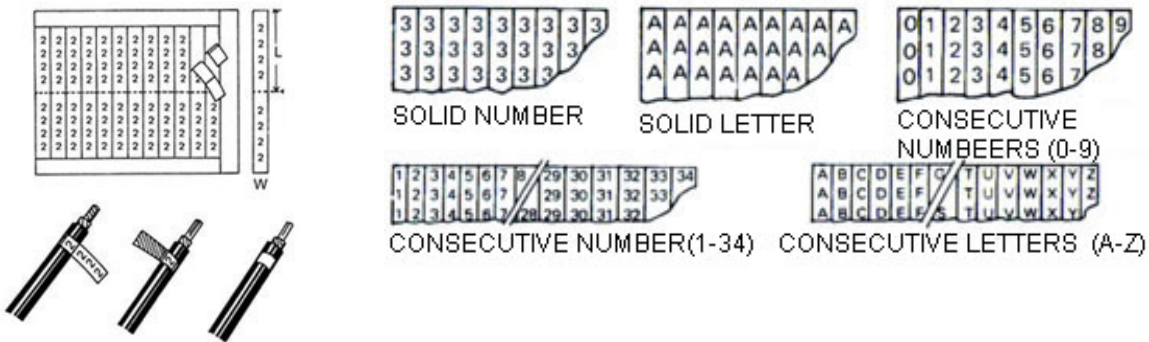
Unit : mm				
Item No.	I.D.			Packing
	Suitable Wire		Wire Dia.	
	sq	AWG		
OMT-2.5	0.5	20	2.5	200 M / Roll
OMT-3.0	0.75	18	3.0	200 M / Roll
OMT-3.2	1.25	16	3.2	200 M / Roll
OMT-3.5	2	14	3.5	200 M / Roll
OMT-4.0	2	14	4.0	200 M / Roll
OMT-4.5	3.5	12	4.5	200 M / Roll
OMT-5.0	5.5	10	5.0	100 M / Roll
OMT-5.5	5.5	10	5.5	100 M / Roll
OMT-6.2	8	8	6.2	100 M / Roll
OMT-6.7			6.7	50 M / Roll
OMT-7.1			7.1	50 M / Roll

Self-adhesive wire markers



BOOK SIZE: L:143 W:82

- Stick to wires for permanent identification.
- Used extensively for cable diameters after or before terminal is attached.
- Cloth type label.
- For your orders, please specify solid or consecutive and what letter (s), number (s) you need.
- For example:
- Solid: WM-1 1.2.A,B.....10pcs each.
- Consecutive: WM-1 0-9,A-Z, . . . 10pcs each.

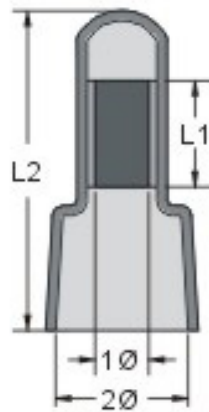


Unit : mm			
Item No.	L	W	Standard Markings
WMB-1	25	6.5	0-9@1page
WMB-2	25	6.5	(A-Z,/,+,-,0-15)x10page
WMB-3	25	6.5	(1-45)x10page

Close-End Wire Connector



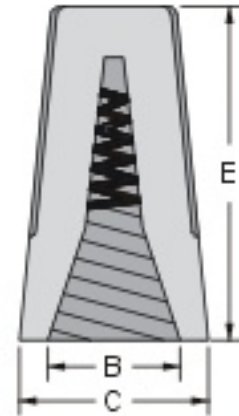
- Material: UL approved Nylon 66,94V-2 / 94V-0.
- Nylon insulated close-end wire connector.
- To apply, insert pre-stripped wires into connector tube and crimp it with crimping tool to hold wires firmly even in vibration.



Unit: mm									
Item No.		L1	L2	Ø1	Ø2	Suitable Wire			Packing
94V-2	94V-0					sq	AWG	DIN mm ² d	
CE-1	CE-1V0	7.0	20.0	2.4	7.8	1.25	22-16	0.50 ~ 1.75	100 pcs / Bag
CE-2	CE-2V0	7.5	20.0	3.0	8.0	2.0	16-14	1.00 ~ 3.00	
CE-5	CE-5V0	8.0	25.3	3.8	10.5	5.5	12-10	2.50 ~ 6.00	
CE-8	CE-8V0	8.5	27.8	4.7	12.0	8.0	8	4.00 ~ 9.00	

AWG	2	4	6	8	10	12	14	16	18	20	22	24	26	28	30	32
mm ²	33.4	20.8	13.2	8.4	5.3	3.3	2.1	1.3	0.83	0.52	0.33	0.21	0.13	0.08	0.05	0.03

Screw On Wire Connector



- Material: Tough thermoplastic, UL 94V-2 flame-retardant shell.
- Strip wires before application.
- Rated at 600 volt max. for building wiring.
- Temperature: 105 (221 F)
- Spring design provided more secure connection.

Item No.	B	C	E	Wires Combination		Color	Packing
				sq	AWG		
SW-71BH	6.5	8.6	15.2	Max 2#1.25 Min 2#0.5	Max 2#16 Min 2#18	Grey	100 pcs / Bag
SW-72BH	7.1	9.9	17.7	Max 3#1.25 Min 2#0.5	Max 3#16 Min 2#18	Blue	
SW-73BH	9.7	12.7	22.0	Max 2#2.0 Min 3#1.25	Max 2#14 Min 3#16	Orange	
SW-74BH	11.0	14.0	24.6	Max 3#3.5 Min 2#2.0	Max 3#12 Min 3#14	Yellow	
SW-76BH	13.1	16.3	26.5	Max 2#5.5 Min 2#3.5	Max 5#10 Min 2#12	Red	

Heat-Shrinkable Tubings



- Material: polyolefin.
- Color: Black Other colors available on request.
- Recognition: recognized under UL224 and CSA standard, rating voltage 600V, VW-1at 125.
- Environment protection.
- Feature: insulation or jacketing of wire harness, insulation of wire terminals, capsule of electronic components, identification or colorcoding of wires.
- Special length available on request

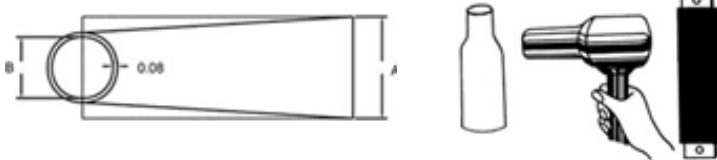
Item No.	As Supplied		After Shrinkage		Packing
	Inside diameter (min)	Wall Thickness	Inside diameter (max)	Wall Thickness	
K32-1	1.4±0.2	0.20	0.50	0.33	200 M / Roll
K32-1.5	2.0±0.2	0.20	0.75	0.36	
K32-2	2.5±0.2	0.20	1.00	0.44	
K32-2.5	3.0±0.2	0.25	1.25	0.44	
K32-3	3.5±0.3	0.25	1.50	0.44	
K32-3.5	4.0±0.3	0.25	1.75	0.44	
K32-4	4.5±0.3	0.25	2.00	0.44	100 M / Roll
K32-5	5.4±0.3	0.25	2.50	0.56	
K32-6	6.4±0.4	0.25	3.00	0.56	50 M / Roll
K32-7	7.4±0.4	0.25	3.50	0.56	
K32-8	8.4±0.4	0.25	4.00	0.56	
K32-9	9.4±0.4	0.25	4.50	0.56	
K32-10	10.4±0.4	0.25	5.00	0.56	
K32-11	11.4±0.4	0.25	5.50	0.56	
K32-12	12.4±0.4	0.25	6.00	0.56	
K32-13	13.5±0.4	0.30	6.50	0.69	
K32-14	14.5±0.4	0.30	7.00	0.69	
K32-15	15.5±0.5	0.30	7.50	0.69	
K32-16	16.8±0.5	0.30	8.00	0.69	
K32-18	18.7±0.5	0.35	9.00	0.77	
K32-20	21.2±0.6	0.35	10.00	0.77	
K32-22	23.2±0.6	0.40	11.00	0.77	
K32-25	26.1±0.8	0.40	12.50	0.87	
K32-28	29.0±1.0	0.50	14.00	0.87	
K32-30	32.0±1.0	0.50	15.00	0.87	

105°C UL					
FZ-35	37.0±1.0	0.50	17.50	0.87	50 M / Roll
FZ-40	43.0±1.5	0.50	20.50	0.97	
FZ-50	53.0±2.0	0.50	25.00	0.97	
FZ-60	60.0min.	0.55	30.00	1.07	
FZ-80	80.0min.	0.60	40.00	1.17	
FZ-100	100.0min.	0.60	50.00	1.17	30 M / Roll

Heat Shrinking Sleeve

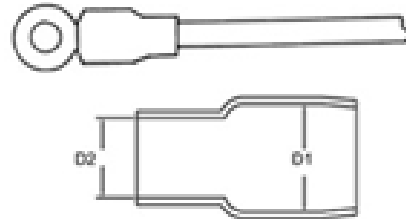


- Material: Rigid Shrinkable P.V.C.
- Used for color distinction and insulation of busbar in controll panel. To be shrinked by blower or hot water.
- Maximum service temp : 80°C



Unit : mm					
Item No.	LAY FLAT Dimension A	Convert to DiaØ B	Shrinkable Range	Color	Packing
HS-30	30	19	30~16	Red Yellow Black Blue	100m
HS-40	40	25	40~22		
HS-50	50	32	50~28		
HS-60	60	38	60~33		
HS-70	70	44	70~37		
HS-80	80	50	80~42		
HS-100	100	63	100~55		
HS-120	120	76	120~65		
HS-150	150	95	150~90		
HS-170	170	108	170~94		
HS-200	200	127	200~110		

Vinyl Wire End Caps



- Material: Soft P.V.C.
- Maximum service temp: 80°C
- For the insulation works of wire end terminal. Performing the work with a simple one-touch to tighten and seal against dirt, moisture and water.
- Standard color: Red, white, blue, yellow,black.

Unit:mm					
Item No.	Wire Suitable	D1	D2	For Scun	Packing
V-1.25	600V 1.25mm ² 12.5mm ² (R, Y, B, BL, G)	3.3	3.1	1.5	100
V-2	600V 2.0mm ² , 2.0mm ² , 1.2mm ² , Single, 1.6mm Single (White)	4.5	3.7	2.5	
V-3.5	600V 3.5mm ² (Red, Yellow, Black, Blue, Green)	5.7	4.1	2.5 ~ 4	
V-5.5	600V 5.5mm ² , 2.6mm Single (R, Y, B, BL, G)	5.7	5.2	6	
V-8	600V 8.0mm ² , 3.2mm Single (R, Y, B, BL, G)	7.2	6.2	10	
V-14	600V 14mm ² (Red, Yellow, Black, Blue, Green)	10.0	8.0	16 ~ 25	
V-22	600V 22mm ² (Red, Yellow, Black, Blue, Green)	12.0	9.5	35	
V-38	600V 38mm ² (Red, Yellow, Black, Blue, Green)	14.0	11.8	50	50
V-60	600V 14mm ² (Red, Yellow, Black, Blue, Green)	16.8	13.5	70	
V-80	600V 80mm ² (Red, Yellow, Black, Blue)	19.0	16.0	95	
V-100	600V 100mm ² (Red, Yellow, Black, Blue)	22.0	18.0	120	

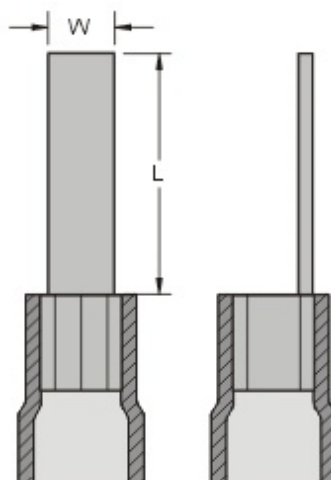
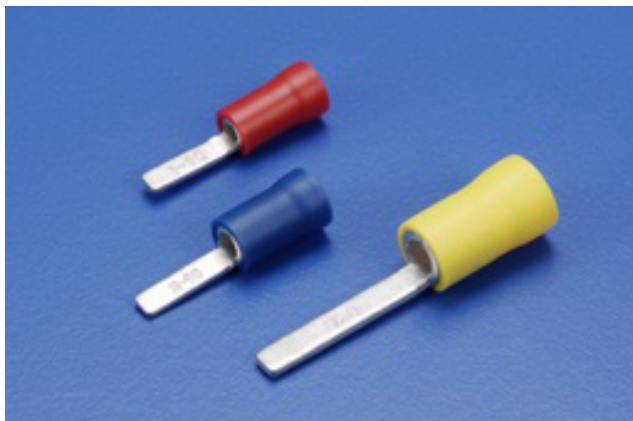
Bimetal Cable Lug



Cembre CAA-M range bi-metal cable lugs and connectors feature copper palms with aluminium barrels suitable for 10-300sqmm crimping applications. The cable lug barrel of Cembre CAA-M bi-metallic connectors are made from aluminium of a purity equal to or greater than 99.5%. The lug barrel is friction welded to the palm achieving excellent transition between the copper palm and aluminium barrel. The aluminium barrels are capped and grease filled to prevent oxidation of the aluminium.

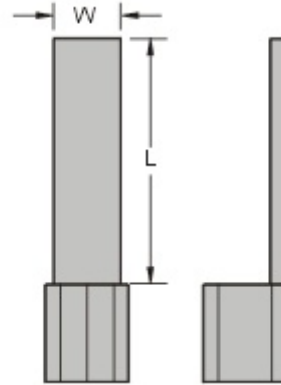
Bi-Metallic Connector Specification					
Conductor Size	Ø Stud Size	Dimensions			
		Øi	B	L	d
10sqmm	12mm	4.3mm	24.0mm	87.0mm	13.0mm
16sqmm	12mm	5.5mm	24.0mm	87.0mm	13.0mm
25sqmm	12mm	6.5mm	24.0mm	87.0mm	13.0mm
35sqmm	12mm	8.0mm	24.0mm	87.0mm	13.0mm
35sqmm	12mm	8.0mm	24.0mm	87.0mm	13.0mm
50sqmm	12mm	9.0mm	24.0mm	87.0mm	13.0mm
70sqmm	12mm	11.0mm	24.0mm	87.0mm	13.0mm
95sqmm	12mm	12.5mm	24.0mm	87.0mm	13.0mm
120sqmm	12mm	13.7mm	31.0mm	111.0mm	13.0mm
150sqmm	12mm	15.5mm	31.0mm	111.0mm	13.0mm
185sqmm	12mm	17.0mm	35.0mm	116.0mm	13.0mm
240sqmm	12mm	19.5mm	35.0mm	116.0mm	13.0mm
300sqmm	12mm	22.5mm	35.0mm	120.0mm	13.0mm
300sqmm	16mm	22.5mm	35.0mm	120.0mm	17.0mm
300sqmm	16mm	23.3mm	35.0mm	152.5mm	16.5mm
400sqmm	16mm	26.0mm	35.0mm	152.5mm	16.5mm

Blade Insulated Terminal



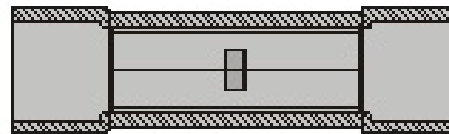
Unit : mm					
Item No.	Dimension		Wire Size		Packing
	W	L	AWG	mm ²	
BD1-10F	2.3	10.0	22-16	0.5-1.0	100 pcs / Bag
BD1-18F	2.2	18.0			
BD2-10F	2.4	10.0	16-14	1.5-2.5	
BD2-18F	2.4	18.0			
BD5-10F	2.8	10.0	12-10	4.0-6.0	

Blade Terminal



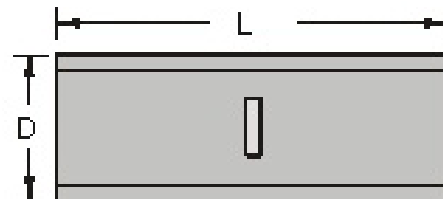
Item No.	Dimension		Wire Size		Packing
	W	L	AWG	mm ²	
BD1-10	2.3	10.0	22-16	0.5-1.0	100 pcs / Bag
BD1-18	2.2	18.0			
BD2-10	2.4	10.0	16-14	1.5-2.5	
BD2-18	2.4	18.0			
BD5-10	2.8	10.0	12-10	4.0-6.0	
BD5-18	2.8	18.0			

Butt Splice Insulated



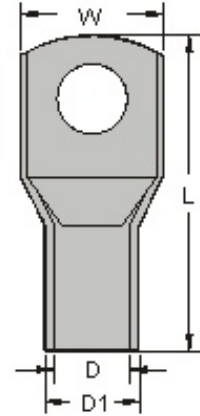
Item No.	Wire Size		Packing
	AWG	mm ²	
BF-1.25S	22-16	0.5-1.0	100 pcs / Bag
BF-2.0S	16-14	1.5-2.5	
BF-5.5S	12-10	4.0-6.0	

Butt Splice



Item No.	Dimension		Wire Size		Packing
	D	L	AWG	mm ²	
B-1.25	3.3	14.5	22-16	0.5-1.0	100 pcs / Bag
B-2	4.0	14.5	16-14	1.5-2.5	
B-3.5	4.5	14.5	14-12	2.5-4.0	
B-5.5	5.0	14.5	12/10	4.0-6.0	
B-8	6.4	20.0	8	10	
B-14	8.0	25.0	6	16	
B-22	10.4	28.0	4	25	250 pcs / Box
B-38	12.3	31.0	2	35	100 pcs / Box
B-60	14.5	34.0	1/0	50	
B-70	16.2	35.0	2/0	70	
B-80	18.0	36.0	3/0	95	70 pcs / Box
B-100	20.8	37.0	4/0	120	60 pcs / Box
B-125	23.0	44.0			50 pcs / Box
B-150	24.8	52.0	250-300 mcm	150	25 pcs / Box
B-180	26.6	55.0	300-350 mcm	185	20 pcs / Box
B-200	30.6	61.0	400 mcm	240	15 pcs / Box
B-250	30.6	61.0	400 mcm	240	
B-325	35.0	70.0	500-600 mcm	300	12 pcs / Box

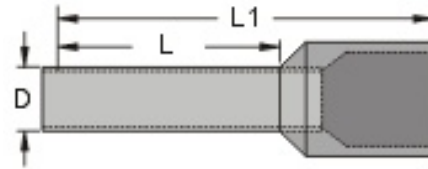
Copper Cable Lugs



Item No.	Stud Size	Dimension				Wire Size	
		W	L	D	D1	AWG	mm ²
2.5-5	5.3	10.0	20.0	2.7	3.9	14	2.5
4-5	5.3	10.0	20.0	3.0	4.5	12	4
6-5	5.3	10.0	23.0	4.0	5.5	10	6
10-6	6.7	12.6	25.0	4.5	6.2	8	10
10-8	8.4	12.6	25.0				
16-6	6.7	12.6	30.0	5.4	7.1	6	16
16-8	8.4	12.6	30.0				
25-6	6.7	15.0	35.0	6.8	8.8	4	25
25-8	8.4	15.0	35.0				
25-10	10.5	15.0	35.0				
35-6	6.7	15.0	38.0	8.4	10.6	2	35
35-8	8.4	15.0	38.0				
35-10	10.5	15.0	38.0				
50-8	8.4	18.0	43.0	9.7	12.4	1/0	50
50-10	10.5	18.0	43.0				
50-12	13.0	18.0	43.0				
70-8	8.4	21.0	50.0	11.8	14.7	2/0	70
70-10	10.5	21.0	50.0				
70-12	13.0	21.0	50.0				
95-10	10.5	25.5	58.0	14.2	17.4	3/0	95
95-12	13.0	25.5	58.0				
120-10	10.5	28.0	64.0	15.7	19.4	4/0	120
120-12	13.0	28.0	64.0				
120-14	15.0	28.0	64.0				
120-16	17.0	28.0	64.0				

Item No.	Stud Size	Dimension				Wire Size	
		W	L	D	D1	AWG	mm ²
150-12	13.0	30.5	69.0	17.2	21.2	300 mcm	150
150-14	15.0	30.5	69.0				
150-16	17.0	30.5	69.0				
185-12	13.0	34.0	78.0	19.2	23.5	350 mcm	185
185-14	15.0	34.0	78.0				
185-16	17.0	34.0	78.0				
240-14	15.0	38.5	92.0	21.7	26.5	500 mcm	240
240-16	17.0	38.5	92.0				
240-18	19.0	38.5	92.0				
300-16	17.0	43.5	100.0	24.5	30.0	600 mcm	300
400-18	19.0	53.0	114.0	29.5	36.5	800 mcm	400
500-18	19.0	56.0	124.0	31.0	39.0	1000 mcm	500
630-20	21.0	63.0	130.0	35.0	44.0		630
800-20	21.0	73.0	140.0	40.0	50.0		800

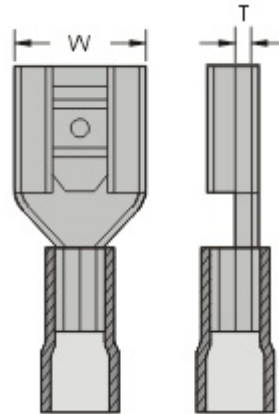
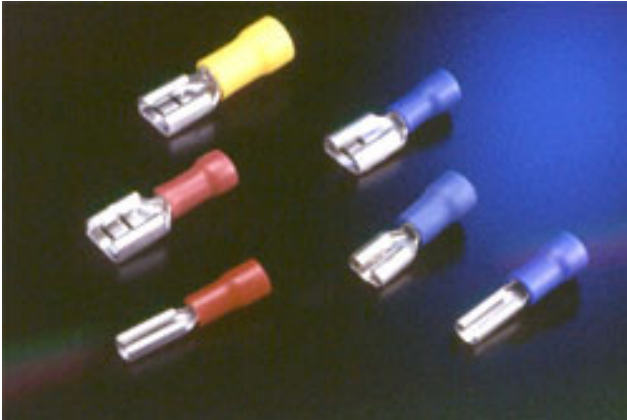
Cord End Terminal



Unit : mm										
DIN System		T System		W System		Dimension			Wire Size	
Item No.	Color	Item No.	Color	Item No.	Color	L	L1	D	AWG	DIN mm ²
		ET0.25-6VT	Purple	ET0.25-6LE	Light Blue	6.0	10.0	0.75	26	0.25
		ET0.25-8VT	Purple	ET0.25-8LE	Light Blue	8.0	12.0			
		ET0.34-6PK	Pink	ET0.34-6TE	Turquoise	6.0	10.0	0.8	24	0.34
		ET0.34-8PK	Pink	ET0.34-8TE	Turquoise	8.0	12.0			
ET0.5-6WE	White	ET0.5-6WE	White	ET0.5-6OE	Orange	6.0	12.0	1	22	0.5
ET0.5-8WE	White	ET0.5-8WE	White	ET0.5-8OE	Orange	8.0	14.0			
ET0.5-10WE	White	ET0.5-10WE	White	ET0.5-10OE	Orange	10.0	16.0			
ET0.75-6GY	Grey	ET0.75-6BE	Blue	ET0.75-6WE	White	6.0	12.0	1.2	20	0.75
ET0.75-8GY	Grey	ET0.75-8BE	Blue	ET0.75-8WE	White	8.0	14.0			
		ET0.75-10BE	Blue	ET0.75-10GY	White	10.0	16.0			
		ET0.75-12BE	Blue	ET0.75-12GY	White	12.0	18.0			
ET1.0-6RD	Red	ET1.0-6RD	Red	ET1.0-6YW	Yellow	6.0	12.0	1.4	18	1.0
ET1.0-8RD	Red	ET1.0-8RD	Red	ET1.0-8YW	Yellow	8.0	14.0			
ET1.0-10RD	Red	ET1.0-10RD	Red	ET1.0-10YW	Yellow	10.0	16.0			
ET1.0-12RD	Red	ET1.0-12RD	Red	ET1.0-12YW	Yellow	12.0	18.0			
ET1.5-8BK	Black	ET1.5-8BK	Black	ET1.5-8RD	Red	8.0	14.0	1.7	16	1.5
ET1.5-10BK	Black	ET1.5-10BK	Black	ET1.5-10RD	Red	10.0	16.0			
ET1.5-12BK	Black	ET1.5-12BK	Black	ET1.5-12RD	Red	12.0	18.0			
ET1.5-18BK	Black	ET1.5-18BK	Black	ET1.5-18RD	Red	18.0	24.0			
ET2.5-8BE	Blue	ET2.5-8GY	Grey	ET2.5-8BE	Blue	8.0	14.0	2.2	14	2.5
ET2.5-10BE	Blue	ET2.5-10GY	Grey	ET2.5-10BE	Blue	10.0	16.0			
ET2.5-12BE	Blue	ET2.5-12GY	Grey	ET2.5-12BE	Blue	12.0	18.0			
ET2.5-18BE	Blue	ET2.5-18GY	Grey	ET2.5-18BE	Blue	18.0	24.0			

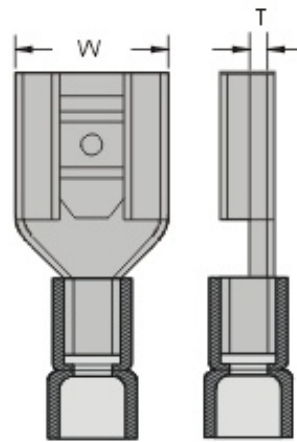
DIN System		T System		W System		Dimension			Wire Size	
Item No.	Color	Item No.	Color	Item No.	Color	L	L1	D	AWG	DIN mm ²
ET4-10GY	Grey	ET4-10OE	Orange	ET4-10GY	Grey	10.0	17.0	2.8	12	4
ET4-12GY	Grey	ET4-12OE	Orange	ET4-12GY	Grey	12.0	20.0			
ET4-18GY	Grey	ET4-18OE	Orange	ET4-18GY	Grey	18.0	26.0			
ET6-12YW	Yellow	ET6-12GN	Green	ET6-12BK	Black	12.0	20.0	3.5	10	6
ET6-18YW	Yellow	ET6-18GN	Green	ET6-18BK	Black	18.0	26.0			
ET10-12RD	Red	ET10-12BN	Brown	ET10-12IY	Ivory	12.0	22.0	4.5	8	10
ET10-18RD	Red	ET10-18BN	Brown	ET10-18IY	Ivory	18.0	28.0			
ET16-12BE	Blue	ET16-12IY	Ivory	ET16-12GN	Green	12.0	24.0	5.8	6	16
ET16-18BE	Blue	ET16-18IY	Ivory	ET16-18GN	Green	18.0	28.0			
ET25-16YW	Yellow	ET25-16BK	Black	ET25-16BN	Brown	16.0	28.0	7.3	4	25
ET25-18YW	Yellow	ET25-18BK	Black	ET25-18BN	Brown	18.0	30.0			
ET25-22YW	Yellow	ET25-22BK	Black	ET25-22BN	Brown	22.0	35.0			
ET35-16RD	Red	ET35-16RD	Red	ET35-16BG	Beige	16.0	30.0	8.3	2	35
ET35-18RD	Red	ET35-18RD	Red	ET35-18BG	Beige	18.0	32.0			
ET35-25RD	Red	ET35-25RD	Red	ET35-25BG	Beige	25.0	39.0			
ET50-20BE	Blue	ET50-20BE	Blue	ET50-20OG	Olive	20.0	36.0	10.3	1/0	50
ET50-25BE	Blue	ET50-25BE	Blue	ET50-25OG	Olive	25.0	40.0			
ET70-21YW	Yellow					21.0	37.0	13.5	2/0	70
ET95-25RD	Red					25.0	44.0	95	3/0	95
ET120-27BE	Blue					27.0	48.0	120	4/0	120
ET150-32YW	Yellow					32.0	58.0	150	250-300 mcm	150

KSS Female Lug



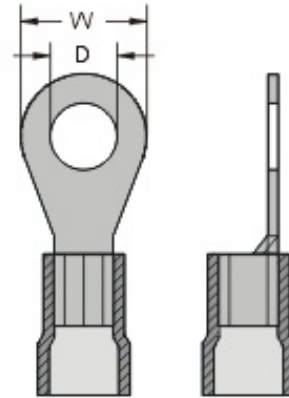
Item No.	NEMA Size		Wire Size		Packing
	W	T	AWG	mm ²	
LV1.25-3A	2.8	0.5	22-16	0.5-1.0	100 pcs / Bag
LV1.25-3A8	2.8	0.8			
LV1.25-5A	4.8	0.5			
LV1.25-5A8	4.8	0.8			
LV1.25-7A	6.4	0.8			
LV2-3A	2.8	0.5	16-14	1.5-2.5	
LV2-3A8	2.8	0.8			
LV2-5A	4.8	0.5			
LV2-5A8	4.8	0.8			
LV2-7A	6.4	0.8			
LV2-8A	8.0	0.8			
LV2-10A	9.5	0.8	12-10	4.0-6.0	
LV5.5-7A	6.4	0.8			
LV5.5-10A	9.5	0.8			

Female Lug



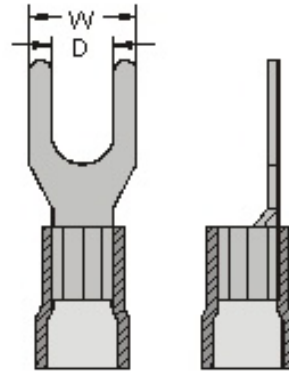
Item No.	NEMA Size		Wire Size		Packing
	W	T	AWG	mm ²	
ELV1.25-3A	2.8	0.5	22-16	0.5-1.0	100 pcs / Bag
ELV1.25-3A8	2.8	0.8			
ELV1.25-5A	4.8	0.5			
ELV1.25-5A8	4.8	0.8			
ELV1.25-7A	6.4	0.8			
ELV2-3A	2.8	0.5	16-14	1.5-2.5	
ELV2-3A8	2.8	0.8			
ELV2-5A	4.8	0.5			
ELV2-5A8	4.8	0.8			
ELV2-7A	6.4	0.8			
ELV2-8A	8.0	0.8			
ELV2-10A	9.5	0.8	12-10	4.0-6.0	
ELV5.5-7A	6.4	0.8			

Insulated Ring Terminal



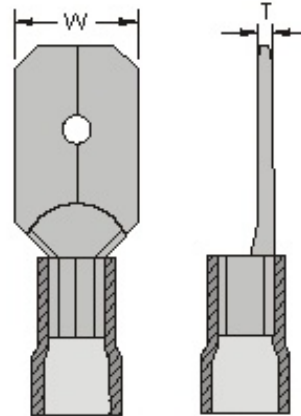
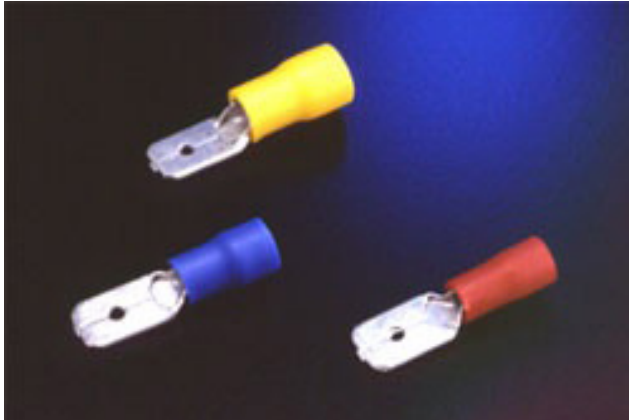
Unit : mm					
Item No.	Stud Size D	Width W	Wire Size		Packing
			AWG	mm ²	
RF1.25-3S	3.2	5.5	22-16	0.5-1.0	100 pcs / Bag
RF1.25-3	3.7	5.5			
RF1.25-4	4.3	8.0			
RF1.25-4M	4.3	6.6			
RF1.25-5	5.3	8.0			
RF1.25-6	6.4	11.7			
RF1.25-8	8.4	11.7			
RF1.25-10	10.5	13.7			
RF2-3S	3.7	6.5	16-14	1.5-2.5	
RF2-3	3.7	6.5			
RF2-4	4.3	8.5			
RF2-4M	4.3	6.6			
RF2-5	5.3	9.5			
RF2-6	6.4	12.0			
RF2-8	8.4	12.0			
RF2-10	10.5	13.7			
RF3.5-4	4.3	8.0	14-12	2.5-4.0	
RF3.5-5	5.3	8.0			
RF3.5-6	6.4	12.0			
RF5.5-3	3.7	9.4	12-10	4.0-6.0	
RF5.5-4	4.3	9.5			
RF5.5-5	5.3	9.5			
RF5.5-6S	6.4	12.0			
RF5.5-8	8.4	15.0			
RF5.5-10	10.5	15.0			
RF8-5S	5.3	9.0	8	10	
RF8-5	5.3	12.0			
RF8-6	6.4	12.0			

Insulated Y Terminal



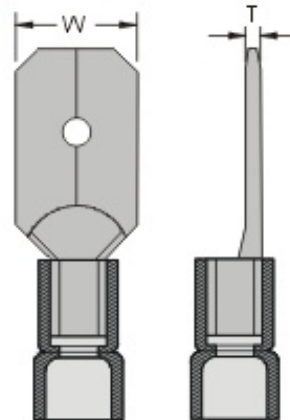
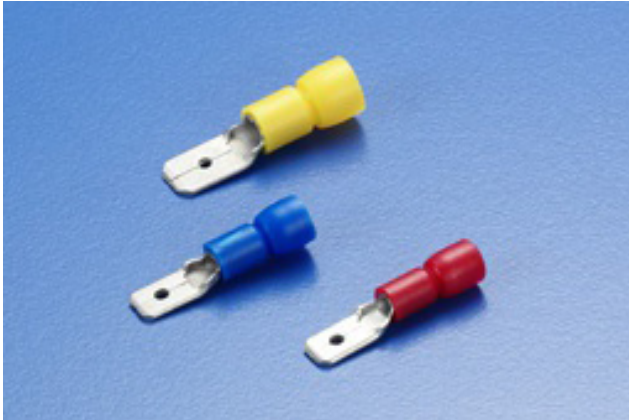
Unit : mm					
Item No.	Stud Size D	Width W	Wire Size		Packing
			AWG	mm ²	
YF1.25-3S	3.7	5.7	22-18	0.5-1.0	100 pcs / Bag
YF1.25-3	3.7	6.2			
YF1.25-4S	4.3	6.4			
YF1.25-4	4.3	7.2			
YF1.25-5	5.3	8.0			
YF1.25-6	6.4	10.7			
YF2-3S	3.7	5.7	16-14	1.5-2.5	
YF2-3	3.7	6.2			
YF2-4S	4.3	6.4			
YF2-4	4.3	7.2			
YF2-5	5.3	8.0			
YF2-6	6.4	10.7			
YF3.5-3S	3.7	6.4	14-12	2.5-4.0	
YF3.5-3	3.7	7.4			
YF3.5-4	4.3	8.0			
YF3.5-5	5.3	8.0			
YF5.5-3S	3.7	7.2	12-10	4.0-6.0	
YF5.5-3	3.7	8.2			
YF5.5-4S	4.3	7.2			
YF5.5-4	4.3	8.2			
YF5.5-5	5.3	9.0			
YF5.5-6	6.4	10.8			
YF8-4	4.3	8.2	8	10	
YF8-5	5.3	9.0			
YF8-6	6.4	12.0			

Male Lug Spade



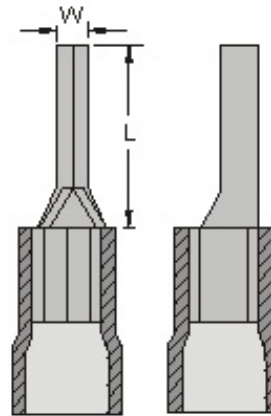
Unit : mm					
Item No.	NEMA Size		Wire Size		Packing
	W	T	AWG	mm ²	
LV1.25-3B	2.8	0.5	22-16	0.5-1.0	100 pcs / Bag
LV1.25-3B8	2.8	0.8			
LV1.25-5B	4.8	0.5			
LV1.25-5B8	4.8	0.8			
LV1.25-7B	6.4	0.8			
LV2-3B	2.8	0.5	16-14	1.5-2.5	
LV2-3B8	2.8	0.8			
LV2-5B	4.8	0.5			
LV2-5B8	4.8	0.8			
LV2-7B	6.4	0.8			
LV5.5-7B	6.4	0.8	12-10	4.0-6.0	

Male Lug



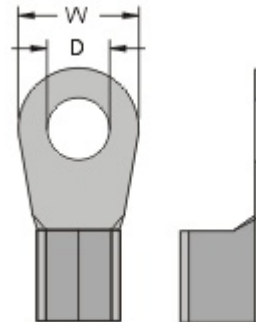
Unit : mm					
Item No.	NEMA Size		Wire Size		Packing
	W	T	AWG	mm ²	
ELV1.25-3B	2.8	0.5	22-16	0.5-1.0	100 pcs / Bag
ELV1.25-3B8	2.8	0.8			
ELV1.25-5B	4.8	0.5			
ELV1.25-5B8	4.8	0.8			
ELV1.25-7B	6.4	0.8			
ELV2-3B	2.8	0.5	16-14	1.5-2.5	
ELV2-3B8	2.8	0.8			
ELV2-5B	4.8	0.5			
ELV2-5B8	4.8	0.8			
ELV2-7B	6.4	0.8			
ELV5.5-7B	6.4	0.8	12-10	4.0-6.0	

Pin Insulated Terminals



Unit : mm					
Item No.	Dimension		Wire Size		Packing
	W	L	AWG	mm ²	
PIN1.25-AF	1.9	12.0	22-16	0.5-1.0	100 pcs / Bag
PIN2-AF	1.9	12.0	16-14	1.5-2.5	
PIN5.5-AF	2.7	14.0	12-10	4.0-6.0	

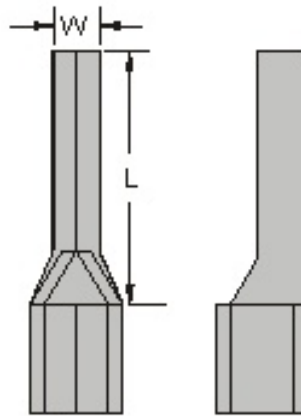
Pin Ring Terminal



	D	W			
			AWG	mm ²	
R1.25-3S	3.2	5.5	22-16	0.5-1.0	100 /
R1.25-3	3.7	5.5			
R1.25-4	4.3	8.0			
R1.25-4M	4.3	6.6			
R1.25-5	5.3	8.0			
R1.25-6	6.4	11.7			
R1.25-8	8.4	11.7			
R1.25-10	10.5	13.7	16-14	1.5-2.5	
R2-3S	3.2	6.5			
R2-3	3.7	6.5			
R2-4	4.3	8.5			
R2-4M	4.3	6.6			
R2-5	5.3	9.5			
R2-6	6.4	12.0			
R2-8	8.4	12.0			
R2-10	10.5	13.7	14-12	2.5-4.0	
R3.5-4	4.3	8.0			
R3.5-5	5.3	8.0			
R3.5-6	6.4	12.0			
R3.5-8	8.4	15.0			
R3.5-10	10.5	15.0	12-10	4.0-6.0	
R5.5-3	3.7	9.4			
R5.5-4	4.3	9.5			
R5.5-5	5.3	9.5			
R5.5-6S	6.4	12.0			
R5.5-6	6.4	12.0			
R5.5-8	8.4	15.0			
R5.5-10	10.5	15.0			

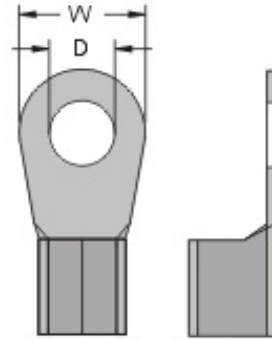
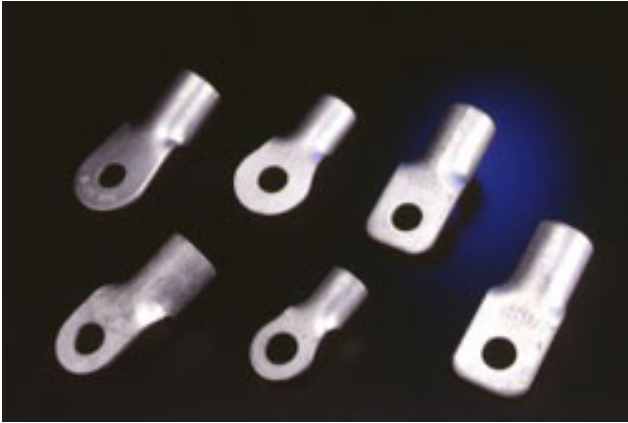
	D	W	AWG	mm ²		
R8-5S	5.3	9.0	8	10	100 /	
R8-5	5.3	12.0				
R8-6	6.4	12.0				
R8-8	8.4	15.0				
R8-10	10.5	15.0				
R8-12	13.0	15.0				
R14-5	5.3	9.5	6	16		100 /
R14-6	6.4	12.0				
R14-8	8.4	16.0				
R14-10	10.5	16.0				
R14-12	13.0	22.0				

Pin Terminal



Unit : mm					
Item No.	Dimension		Wire Size		Packing
	W	L	AWG	mm ²	
PIN-1.25	1.9	12.0	22-16	0.5-1.0	100 pcs / Bag
PIN-2	1.9	12.0	16-14	1.5-2.5	
PIN-5.5	2.7	14.0	12-10	4.0-6.0	

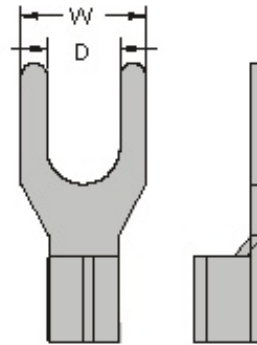
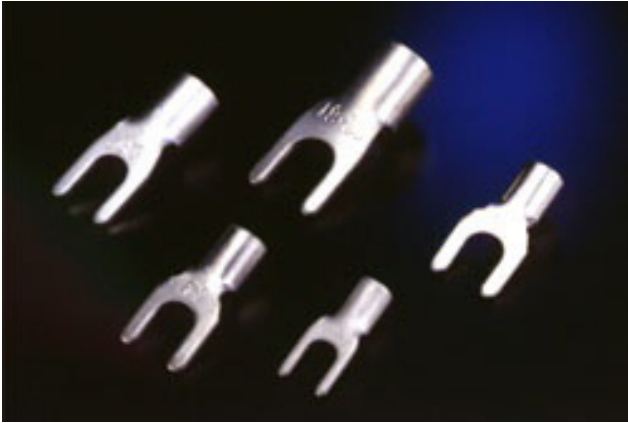
Ring Terminal



Unit : mm					
Item No.	Stud Size D	Width W	Wire Size		Packing
			AWG	mm ²	
R1.25-3S	3.2	5.5	22-16	0.5-1.0	100 pcs / Bag
R1.25-3	3.7	5.5			
R1.25-4	4.3	8.0			
R1.25-4M	4.3	6.6			
R1.25-5	5.3	8.0			
R1.25-6	6.4	11.7			
R1.25-8	8.4	11.7			
R1.25-10	10.5	13.7	16-14	1.5-2.5	
R2-3S	3.2	6.5			
R2-3	3.7	6.5			
R2-4	4.3	8.5			
R2-4M	4.3	6.6			
R2-5	5.3	9.5			
R2-6	6.4	12.0			
R2-8	8.4	12.0			
R2-10	10.5	13.7	14-12	2.5-4.0	
R3.5-4	4.3	8.0			
R3.5-5	5.3	8.0			
R3.5-6	6.4	12.0			
R3.5-8	8.4	15.0			
R3.5-10	10.5	15.0	12-10	4.0-6.0	
R5.5-3	3.7	9.4			
R5.5-4	4.3	9.5			
R5.5-5	5.3	9.5			
R5.5-6S	6.4	12.0			
R5.5-6	6.4	12.0			
R5.5-8	8.4	15.0			
R5.5-10	10.5	15.0			

Item No.	Stud Size D	Width W	Wire Size		Packing
			AWG	mm ²	
R8-5S	5.3	9.0	8	10	100 pcs / Bag
R8-5	5.3	12.0			
R8-6	6.4	12.0			
R8-8	8.4	15.0			
R8-10	10.5	15.0			
R8-12	13.0	15.0			
R14-5	5.3	9.5	6	16	
R14-6	6.4	12.0			
R14-8	8.4	16.0			
R14-10	10.5	16.0			
R14-12	13.0	22.0			

Y Terminal



Item No.	Stud Size D	Width W	Wire Size		Packing
			AWG	mm ²	
Y1.25-3S	3.7	5.7	22-16	0.5-1.0	100 pcs / Bag
Y1.25-3	3.7	6.2			
Y1.25-4S	4.3	6.4			
Y1.25-4	4.3	7.2			
Y1.25-5	5.3	8.0			
Y1.25-6	6.4	9.7			
Y2-3S	3.7	5.7	16-14	1.5-2.5	
Y2-3	3.7	6.2			
Y2-4S	4.3	6.5			
Y2-4	4.3	7.2			
Y2-5	5.3	8.0			
Y2-6	6.4	10.7			
Y3.5-3S	3.7	6.4	14-12	2.5-4.0	
Y3.5-3	3.7	7.4			
Y3.5-4	4.3	8.0			
Y3.5-5	5.3	8.0	12-10	4.0-6.0	
Y5.5-3	3.7	8.2			
Y5.5-4S	4.3	7.2			
Y5.5-4	4.3	8.2			
Y5.5-5	5.3	9.0			
Y5.5-6	6.4	12.0			
Y8-4	4.3	8.2	8	10.0	
Y8-5	5.3	9.0			
Y8-6	6.4	12.0			
Y14-6	6.4	12.0	6	16.0	
Y22-8	8.4	13.0	4	25.0	pcs

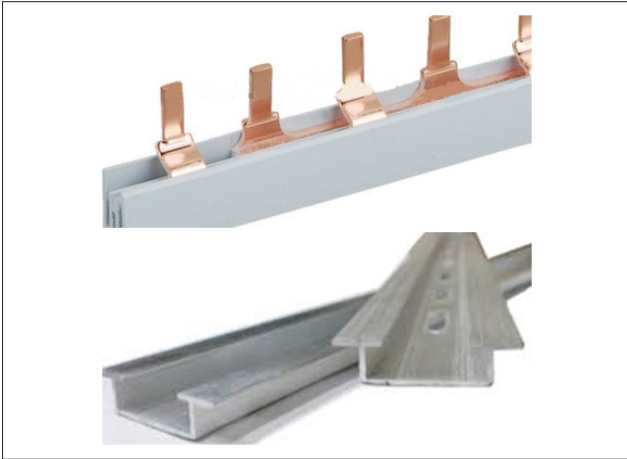
Isolator Coklat



- Maksimum Voltage : 660V
- Lebar busbar max: 30 mm
- Digunakan sebagaiudukan busbar pada perakitan panel listrik Compatible untuk digunakan dengan berbagai jenis busbar Dibuat dari bahan berkualitas berdasarkan International Standard Memiliki fungsi mekanikal dan elektrikal yang baik. Mudah digunakan, stabil dan tahan lama
- Cocok digunakan untuk perakitan berbagai macam panel listrik di rumah, gedung perkantoran, pabrik dan manufacture.

Ukuran Diameter x Tinggi (mm)	Baut Uk.
40 x 60	M10
50 x 40	M10
40 x 40	M8
30 x 40	M6
30 x 30	M6

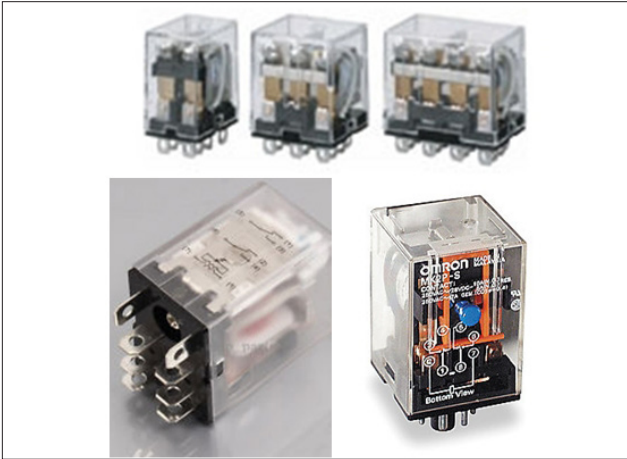
Rail



- Panjang : 1 meter
- Tebal : 0.8 mm
- Material : Alumunium
- Digunakan untuk pemasangan , MCB, MCCB, terminal block, socket relay dan komponen listrik lainnya, dapat juga digunakan untuk pemasangan lemari gantung dan rak gantung. Terbuat dari alumunium pilihan sehingga tidak mudah bengkok dan penyok. Kuat untuk digunakan sebagai dudukan berbagai macam komponen listrik. Cocok digunakan untuk perakitan berbagai macam panel listrik. Mudah digunakan dan tahan lama
- Kualitas handal dengan diproduksi berdasarkan dengan standar Internasional.

Tipe
Rel Besi 1 Fungsi
Rel Alumunium 1 Fungsi
Rel Alumunium 2 Fungsi
Rel Busbar Sisir 1 Phase
Rel Busbar Sisir 3 Phase

Relay



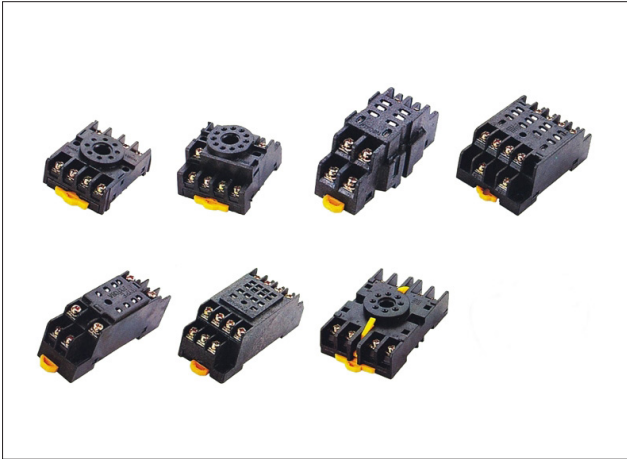
- Berfungsi sebagai saklar listrik atau switch listrik untuk mengatur dan mengontrol mengalirkan dan memutuskan arus listrik
- Cocok untuk digunakan pada panel listrik, kontrol tombol cerdas cermat, penyambung arus dari accu ke motor starter pada kendaraan bermotor,

Tipe	Pin
MY-2	8 pin
MY-4	14 pin
LY-2	8 pin
LY-4	14 pin
MK2P-I	8 pin
MK3P-I	14 pin

Relay Tanpa Lampu (220VAC & 24 VDC)

Tipe	Pin
MY-2N	8 pin
MY-4N	14 pin
LY-2N	8 pin
LY-4N	14 pin

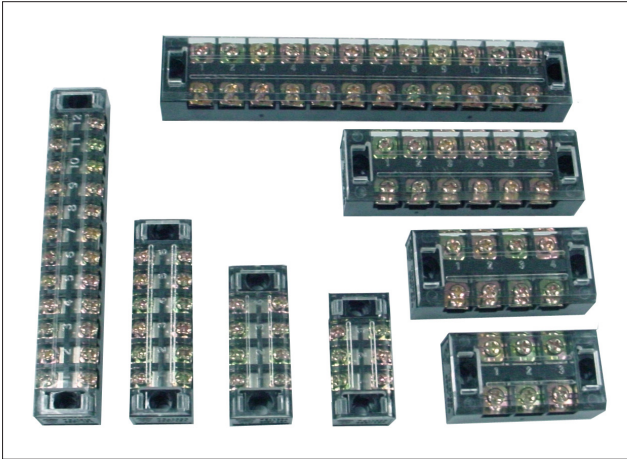
Socket Relay



- Digunakan untuk relay Omron tipe : MY-2,MY-2N,H3Y Socket relay digunakan sebagaiudukan tempat pemasangan relay untuk mempermudah penempatan relay dan memaintenance relay jika terjadi kerusakan relay.
- Socket relay yang digunakan harus disesuaikan dengan tipe relay yang akan dipakai, karena setiap tipe relay mempunyai jumlah dan bentuk kaki yang berbeda-beda.
- Banyak digunakan pada perakitan panel listrik, dan peralatan electronic.
- Dilengkapi dengan klip pengunci untuk mempermudah pemasangan dan mengunci kencang pada DIN Rail.

Type	Pin	Jenis Relay
PYF08A	8 pin	MY-2,H3Y
PYF14A	14 pin	MY-4
PTF08A	8 pin	LY-2
PTF14A	14 pin	LY-4
PF083A	8 pin	H3BAA-8, H3BA-8H, H3M, MK-2P
PF113A	14 pin	BM-48A-100H, 61F-GPN, MK-3P

Terminal Block TB Type



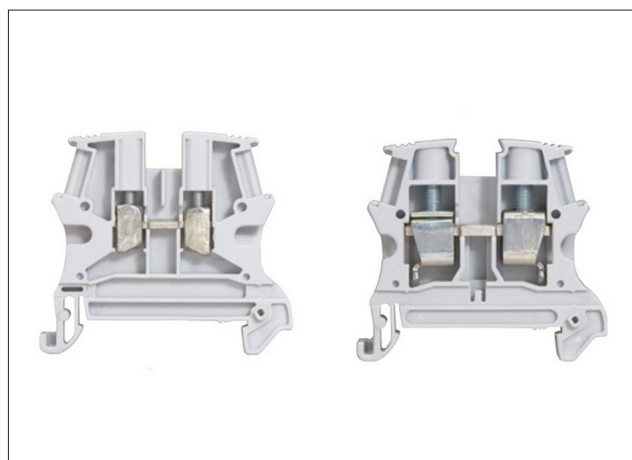
Type	Rating	Number Of Poles
TB1503	600v 15A	3
TB1504		4
TB1506		6
TB1512		12
TB2503	600V 25Z	3
TB2504		4
TB2506		6
TB2512		12

Terminal Block Tr Type



Description	Ampere (A)	Type
Terminal blok	10	TR-10
Terminal blok	20	TR-20
Terminal blok	30	TR-30
Terminal blok	60	TR-60
Terminal blok	100	TR-100

Terminal Block Viking Type



Type
ATB4
ATB 6
ATB 10
ATB 16
ATB 35

Ampere Meter (Direct and via CT)



- Scale plate can be change according to CT ampere rating (only for via CT)
- Made base on standard IEC 51
- Class 1.5
- Scale 90
- 3 Size available (48x48 mm, 72x72 mm, 96x96 mm)
- Measuring system: moving iron
- Overscale 200% In

Volt Meter



- Made base on standard IEC 51
- 3 Size available (48x48 mm, 72x72 mm, 96x96 mm)
- Class 1.5
- Scale 90
- Measuring system: moving iron

Cam Switch



- Made base on standard IEC 60947-3, UNE-EN 60947-3, CSA 22.2-14, UL 508
- Contact is made using silver alloy, high mechanical life time
- All terminal is qualified with standard IP20
- Complete range and custom made for special specification
- Have many type, such as : TP model, T model, A-C-F-L model

Current Transformer



- Made base on standard IEC 60044-1
- LMK certificate.
- Maximum working temperature for CT-PM is 95oC
- CT core is using material core grade M4 yang with coating and annealing
- CT ring is made from Low Density Polythylene (LDPE) material
- CT-PM casing is made from ABS (Acrylonitrile Butadiene Styrene) material
- Function of CT is to change from higher current to become lower current
- Wire type = PEW grade 0
- Have several type : PM-30, PM-40, PM-60, PM-100
- Have huge range in ampere rating, from 50/5A till 3000/5A
- Class 0,5 or 0,5S

Digital Time Relay



- Time period : per week or per day cycle
- Mechanical life : 5 X 1.000.000 times
- Load capacity (Resist load) : 12A 250Vac

Industrial Socket and Plug



- Have 3 type, which is: Industrial Plug, Wall Socket and Panel Socket
- Made following IEC standard
- Water proof terminal



Insulator & Aluminum Rail

- Material is using Phenolic that heat resistance and hard
- All passed standard (PUIL 2000), IEC 660-1979, IEC 273-1979
- Working temperature = -30oC – 80oC
- Humidity = 45-85%
- Melting point = 190oC

STB Type



- Main function as jointing between terminal / cable

SLR Type (Rail Type)



- Main function as jointing between terminal / cable

End Plate



- Use as far side of terminal block SLR type

Stopper



- Use as far side of terminal block SLR type

Round Type Busbar Holder / Cylinder



- Use as busbar holder
- Pass merger test for more than 100 M?

Round Type Busbar Holder / Cylinder (without Nipple)



- Use as busbar holder
- Pass merger test for more than 100 M?

Square Type Busbar Holder



- Use as busbar holder

NH Fuse



- GG type.
- Maximum working temperature is 95°C
- Made base on standard IEC 600269-2-1
- Have fast-blow characteristic that only need 0,1 second to cut current flow when overload
- Breaking capacity until 120 kA
- Fuse PM is available for many size (00, 0, 1, 2, 3, and 4) and rating ampere
- Many use as overload protection and short-circuit protection in electrical network
- Light and easy to install

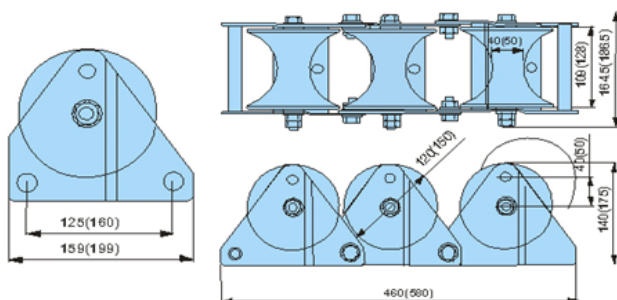
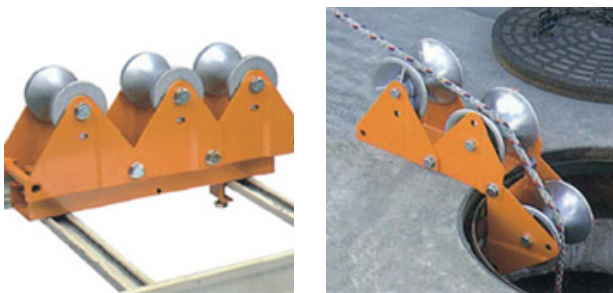
3-strunge rolling wheel CRS-3600



Name	Specifications
CRS-1006	
CRS-1002	
CRS-3600	Single type

Material: aluminum alloy, gravity to press and cast, T6 heat treatment

To release the wire on the surface of ground or in the ditch can protect the wire to avoid damage, electric leakage and help the wire to slip



- Work easily, operate easily and increase the working efficiency.

Characters

1. The connecting part can be exchanged the angle by auto, and can do many times of connection.
2. The rolling tube has the double layer design; the hole diameter can be adjust by your working requirement, wire pulling direction is not on the level, also can be used.
3. Working on the ground is the most suitable to use, wire releasing on the surface of ground is the suitable to use.

- Total length: 580mm
- Total area: 160mm
- The large part of rolling tube: 150°m
- The small part of rolling tube: 50 °m
- The width of rolling tube: 128mm
- Safe load: 5,880N(600kgf)
- Wire frame of bearing article
- Wire frame of tube board of bearing rack
- Aluminum material of wheel

CRS-1009

4-direction type of wire frame with slipping wheel Can revolve and adjust the angle



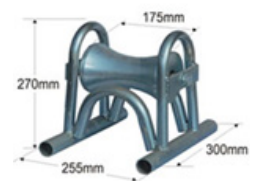
CRS-1002

Cable slipping car under the ground 300(L)x255(W)x270(H) mm



CRS-1006

Cable slipping car(aluminum material) CRS-1006-A Aluminum wheel inner width 90mmx3252x3



Direct hydraulic compressed tools



- Terminal compressed 16mm²- 400mm²
- CPO-500B 17 ton of output strength, it can compress and connect 5002 of electric cable. Pincer compressed tube 2402 shape is the same the series of CPO-400

Characters:

1. The terminal compressed tool is suitable to the specifications of DIN, AWG, JIS.
 2. High speed two-section type, when low pressure reaches, will be voice of "Ka Cha" of safe protective equipment.
 3. One person can operate it; time saving and labour saving.
 4. To connect with pump of design; the head compressed can be revolved 180°.
- CPO-150S, CPO-400A point type of compressed two-section. CPO-240, CYO-240, CPO-400B hexagon type of compressed two-section.

Model	tons	Weight (kg)	Compressed Specification available			Compressed dies size mm ²	Type
			JIS	AWG	DIN		
CPO-150S	8	7	150	300	185	Female: 16-25,35,50-70,95,120,150,185	Point
CPO-400A	17	17	325	750	400	Female: 16-25,35,50-70,95,120,150,185-240,300,400 Male: 16-70,95-150,185-400	point
CPO-400B	17	17	325	750	400	16-25,35,50-70,95,120,150,185-240,300,400	Hexagon
CYO-250A	10	7.2	250	560	240	16-25,35,50-70,95,120,150,185-240	Hexagon
CYO-420A	12	6.2	325	650	400	16-25,35,50-70,95,120,150,185-240,300,400	Hexagon
CYO-510A							

* JIS Japan specification, AWG American specification, DIN European specification

* CYO-240 the specification of opener type is the same as that of CPO-240, please refer.

Hydraulic type of direct compressed tools

Hand type compressed capacity 16mm²-400mm².

CYO-400A compressed head made with iron. opening 30mm.

CYO-400AT compressed head made with Ti-tanium alloy,

CYO-400C compressed head made with iron, opening 38mm.



CYO-400A/CYO-400AT

Opening 30mm

CYO-400C

Opening 38mm

Characters:

1. Two-section of high, low pressure, quick entering oil, easy operation and convenient returning oil. Using revolving type of compression to be quick returning oil.
 2. When the pressure reaches up 700kg/cm² (12ton), the design of safe releasing pin has the voice of "Ka Cha" for warning the operator to stop all actions.
 3. The glass-fiber operative insulating club can resist voltage 20kv and keep five minutes, which has been tested by Taipei power company.
 4. The compressed head can do 180°of revolution.
 5. There is a pressure adjusting valve outside of the machine not to take off the structure.
 6. Use the beautiful plastic box for packing.
 7. C type of Ti-tanium alloy head is easy to convenient to operate in high altitudes high durability, high extension acid-resisting, acid-alkali, which is best material for aviation, submarine industry to use.
- Opening 38mm can press pincer compressed tube, LGF 35-95mm²



How to change dies

Figure for specification

Model	CYO-400A / CYO-400AT CYO-400C
Compressed capacity	162~400mm2 (enclosed 50-400mm2)
Ton	12
Strike	30mm / 38mm(CYO-400C)
Oil capacity	145 cc
Voltage	20,000v / 5 min (between handle grips)
Weight (kg)	6.4(Steel) / 5(Ti) / 7.8(CYO-400C)
Usable oil	R32 special circle oil

Separate type of compressed tools

Terminals 162 ~1000mm2

- Available to distributing / delivery electricity engineering inside and outside of the house, for using professional various of connecting tools and framing up the underground cables.
- 10kv-500kv high pressure cable cover tube, cable clamp, bare terminal and hex. Pressed, with good electric conducting not easy to fall off.
- Will continue to develop the material of Ti Tanium alloy T64 to reduce the weight to let operation be easy. 60 ton,100ton, 200ton.
- If the specification of die is not available can order to make.
- New item introduced CYO-240: open type of compressive tool, 2.5kg weight, specification 22 of 16mm2 -240mm2 .
- Match the power pump: CTE-25AS, CP-700 series, engine electric motor.



CO-400A



CO-400B



CO-500B



CO-630A



CO-630B



CO-1000



CYO-400B strike30mm
CYO-400D strike38mm



CO-60S Single-return



CO-100S Double-return



CO-200S Double-return

Model	tons	Weight (kg)	Compressed Specification Available			2Compressed dies size mm2	Type
CY0-420B	10	7.2	JIS	AWG	DIN	16,25,35,50,70,95,120,150,185,240	Hexagon
CO-400A	17	6	250	560	240	Female: 16-25,35,50-70,95,120,150,185-240,300,400 Male: 16-70,95-150,185-400	Point
CO-400B	17	8	325	650	400	16-25,35,50-70,95,120,150,185-240,300,400	Hexagon
CY0-500B	20	11	400	650	500	70,95,120-150,185,240,300,400,500	Hexagon
CO-630A	35	20	500	1,000	630	70-100,120-150,185-240,300,400,500,630	Hexagon
CO-630B	30	19	500	1,200	630	150,185,240,300,400,500,630	Hexagon
CY0-400B	12	4.6	325	650	400	16,25,35,50,70,95,120,150,185,240,300,400 enclosed 50-400	Hexagon
CO-1000	55	28	1,000	2,000	1,000	240,300,400,500,630,800,1000	Hexagon

* Remark: CO-630A/CO-630B and CO-1000 enclosed one set of dies. The other dies will be order separately.

Separate type of compressed tools

Equipped with 60 ton-200 ton of terminal conducting connector, cable clamp, steel aluminum, cover tube, steel rope, etc. With many functions, which is available to convey 35-500kv of electricity, to frame up or underground over high pressure, single hole type and double-returned way of design, to return oil quickly and operate easily.

- Choose particularly the material of carbon steel for whole body and processed by CNC computer, excellent quality and strong resistance tension.
- Dies can be calculated the compression rate based on the compressed articles.
- Single return way can be matched with single-return way of pump. Double return way 100 ton can matched with CTE-25AD.
- On construction of outdoor, this can equip with engine motor or engine pump; only needs 8-12 seconds every time, quick and safe construction.
- Metal tools are based on the national standard to manufacture and use CNC wire to cut out the standard size; precise accuracy.

Metal tool	Available guideline	Die number	
		Aluminum	Steel*
Connecting tube	LGJ-240/30	L-36	G-20
	LGJ-240/40	L-36	G-20
	LGJ-240/55	L-36	G-22
	LGJ-300/15	L-40	G-18
	LGJ-300/20	L-40	G-18
	LGJ-300/25	L-40	G-20
	LGJ-300/40	L-40	G-20
	LGJ-300/50	L-40	G-18
	LGJ-400/20	L-45	G-20
	LGJ-400/25	L-45	G-22

Metal tool	Available guideline	Die number	
		Aluminum	Steel*
Connecting tube	LGJ-400/25	L-45	G-20
	LGJ-400/35	L-45	G-22
	LGJ-400/50	L-45	G-24
	LGJ-500/35	L-52	G-22
	LGJ-500/45	L-52	G-24
	LGJ-500/65	L-52	G-26
	LGJ-630/45	L-60	G-24
	LGJ-630/55	L-60	G-26
	LGJ-800/55	L-65	G-26
	LGJ-800/70	L-65	G-26

Metal tool	Available guideline	Die number	
		Aluminum	Steel*
Connecting tube	LGJ-150/20	L-30	G-12
	LGJ-150/25	L-30	G-14
	LGJ-150/35	L-30	G-16
	LGJ-185/25	L-32	G-14
	LGJ-185/30	L-32	G-14
	LGJ-185/45	L-32	G-18
	LGJ-240/30	L-36	G-16
	LGJ-240/40	L-36	G-16
	LGJ-240/55	L-36	G-20
	LGJ-300/15	L-40	G-14
	LGJ-300/20	L-40	G-14
	LGJ-300/25	L-40	G-14
	LGJ-300/40	L-40	G-16
	LGJ-300/50	L-40	G-18

Model	Available max. diameter (mmØ)	Output (ton)	Weight (kg)	Piston strike (mm)	Size (HxW)	Remarks
CO-60S	Steel-aluminum cover tube: 55 Steel cover tube: 36	60	21.4	38.5	340x140	CTE-25AD
	Steel-aluminum terminal cover tube: 76 / Steel cover tube: 36	100	33	24	374x180	
	Steel-aluminum terminal cover tube: 90 / Steel cover tube: 36	200	97	35	472x250	

1. Chinese power office GB-14315-93 electricity cable conductor compressed type, of copper aluminum terminal and connecting tube.
2. Taiwan power company offer convey electricity No 7709-1921 ACSR(6010SH) AH(AL.)

Hand ratchet type of cable bending tool



- To suit IV cables or wires covered by aluminum, 90° of bending, easy operation.

Characters

- Handle x 3
- Bend angle seat x 1

Ratchet operation of pushing button direction.

- Right: output
- Left: output

Model: CBH-90



Right, Lift adjust valve



Bending situation

PVC tube cutter



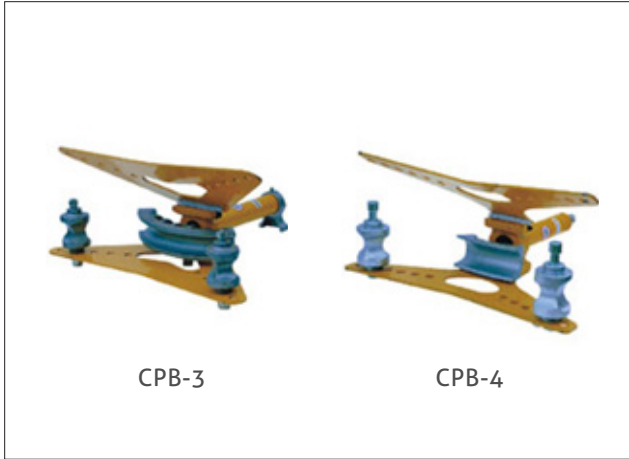
- To cut PVC tube and soft type of tube, the blade is smooth and speedy.
- The razor is K5 treatment, the blade of angle is very sharp and durable.
- Aluminum alloy cast the tool, light and convenient for using, the handle matches the human beings hands, there are gun type and general type as figures.



Figure for specification

Model	Specifications (o.d,mmO)	Cutting razor	Remarks
MPC-6	0mm-25mm	MPC-25-BS	0.3
MPC-42	0mm-32mm	MPC-42-BS	0.31

Hydraulic pipe benders



- Design the opened cover, when iron tube is bend into 90 or 45, you can take it out easily.
- The materials of 1/2"~2" dies are aluminum, very handy; 2 1/2"~4" dies are cast iron.
- Note for operating: Don't bend the E.M.T pipe and stainless tube.
- Bending angle 1/2"~2" can be bent into 90° one time. 2 1/2"~4" have to move in 5-6 times, because their circle measure is small.
- Pump can match with CP-700-2A(hand pump) and CTE-25AS(power pump).

For 1/2"~2" one shot 2 1/2"~4" segment bending

Selection Chart

Model Number	Output (tons)	Applicable Range			Stroke (mm)	Oil Capacity (cc)	Weight (kg) (Frame+Cylinder)
		Thin Steel Conduit (A)	Thick Steel Conduit (B)	Gas Pipe (SGB)			
CPB-3	16.62	15mm çw75mm (5/8") (3")	16mm çw82mm (1/2") (3")	15mm çw65mm (1/2") (2 1/2")	270	640	18.6
CPB-4	19.78	15mm çw75mm (5/8") (3")	16mm çw104mm (1/2") (4")	15mm çw100mm (1/2") (4")	270	760	28.80

* CPB-4 can be designed into double return way of cylinder, quick speed of oil entered and returned.

Pocket type of wire stripper

Single function and many functions



Name	Specifications
ME-A	0.5~2.0mm (AWG 24/16/14/12)
ME-B	1.0~3.2mm (AWG 18/14/12/10/8)

Aluminum hand benders

E.M.T 19mm, 25mm, 31mm 45o For 90o

90cX



CPB-31A



CPB-25A



CPB-19A

45cX



CPB-31B



CPB-25B



CPB-19B

Model Number
CPB-19
CPB-25
CPB-31

Hand type of compressed tools



Ratchet type and pushing type of machine principle action.

Terminal compressed: point type min 1.25², max. 150²;

hexagonal type min. 6², max.150².

European DIN 1.5²~150²

- Bare terminal, insulated-compressed terminal, rigidly precise, it not easy fall off.
- Compressed terminal have point type and hexagonal type (hexagonal one is positive at present)
- Wonderful coating and rust resisting; Bgood quality of Chromium
- Vanadium-steel and machine body manufactured by ISO 9002 of wax-removed precise cast factory.
- Sincere heat treatment, the equipment of treatment controlled by computer comes from ISO 9002 company.

Figure for specification

Model	Name	Size (mm)	Weight (g)	Compressed standard DIN mm ²	Compressed	Price (Rp)
CT-8	Bare terminal pincer	260	420	1.5,2.5,6,10,	Point	265.458
CT-10	Hexagonal terminal pincer			1.5,2.5,6,10,	Hexagon	337.500
CT-14	Bare terminal pincer	285	500	1.5,2.5,6,10,16	Point	277.917
CT-25/22	Bare terminal pincer	340	740	6,10,16,25	Point	421.667
CT.35	Hexagonal terminal pincer			16,25,35	Hexagon	353.000
CT-38	Bare terminal pincer	540	2420	10,16,25,50	Point	758.042
CT-80	Bare terminal pincer	670	4940	16,25,35,50-70,95,120	Point	1.044.583
CT-100	Bare terminal pincer	670	4940	25,35,50-70,95,120	Point	1.073.333
CYO-80A	Open terminal pincer	570	3160	10,16,25,35,50,70,95,120	Point	1.006.250
CK-06	Hexagonal terminal pincer	650	3000	10,16,25,35,50,70,95,120	Hexagon	1.193.125
CK-07	Hexagonal terminal pincer	650	3000	25,35,50,70,95,120,150	Hexagon	1.322.500

High pressure of pump



Power type output pressure 700kg/cm² 10000PSI

- Quick output oil finished by two-section of high-low pressure; turbine type of suction oil to reach the most effective oil capacity.
- Single hole type of in-out oil controlled. To suit the terminal pressed, cable cut, punched, distributed/equipped electric tray and so on over fifty functions. \
- The pressure safe valve overloading protective equipment can avoid overloading ruined or it will release pressure reach 700kg/cm by auto.

CTE-25AS

Characters :

1. Low pressure 200 cuin/min @ 0-200 PSI
2. High pressure 20 cuin/min @ 200-10000PSI
3. Voltage 110V-220V/50-60HZ Accessory: with 2M hose which can be increased length.
4. Ues R32 special circle oil or SHELL T46, ISO-SVG-46

FEP-SSJ

Characters :

1. Suitcase for carry easily
2. Electric current indicating light
3. Fuse wire loading protective quipment
4. 360°of revolving direction oil.
5. Voltage: 110V-220V/50-60HZ

Figure for size(mm)

Model	Oil storageGAL	Oil CapacityCC	A	B	C	D
CTE-25AS	1 GAL. (4000cc)	3000	237mm 9 11/32"	166mm 6 17/32"	365mm 14 3/8"	148mm 5 13/16"
FEP-SSJ	1 GAL. (4000cc)	3000	350mm	120mm	225mm	
CTE-25D (2 Line Output)						
CTE-25AR Auto adjustable pressure						

Figure for specification

Model	Max. Output2(kg/cm ² / psi)	Output pres- sure2(kg/cm ² / psi)	Oil per minute (cc)	Operation	Body weight (kg)	Screw	Remarks
CTE-25AS	700/10,000	Low 0-20 High 20-700	Low 2.6L High 0.32L	Electromag- netic Type	15.2	PT 3/8"	Can match a generator for operation in the outside
FEP-SSJ	700/10,000	Low 0-20 High 20-700	Low 2.6L High 0.32L	Electromag- netic Type	14.3	PT 3/8"0360 revolving	



- This design is for single-hole-operative pump with high, low of two section quick oil output.
- Even through under no electric, it is easy to operate. All the working pressure and function are the same as those power ones.
- They have foot and hand types with 2M hose which can order to extent its length.
- Pressure can be kept to stop. The inside of this pump is designed with safe high pressure of protective released valve.
- CP-700-2A and CFP-800 are equipped with large oil capacity which are used to bend tubes or 50 ton of rectanglehydraulic cylinder.
- * Please note: large ton or rectangle hydraulic cylinder must choose this type.

Characters:

1. Output pressure for operating is 700kg/cm2 10000PSI.
2. Two speed of high/low pressure.
3. Enclosed 2M hose, quick speedy coupler.
4. PT 3/8" spiral.
5. One aluminum material of returning oil switch.
6. Have to change oil every half of a year.

Model	Max. Output pressure ² (kg/cm ² / psi)	Output pressure(psi)		Oil per minute		Oil storage (cc)	Weight (kg)	Size(LxWxH) (mm)
		Low	High	Low	High			
CP-700	700 / 10,000	350	10,000	13	2.3	900	10	510x140x150
CP-700-2A	700 / 10,000	350	10,000	13	3.1	2,100	17	590x120x150
CFP-800	700 / 10,000	350	10,000	13	2.3	1,200	18	630x200x240

Use R32 industrial oil ISO-SVG-46 special circle or SHELL T-15.Figure for specification

Hydraulic cutting tools

To cut the telephone cables, steel ropes, round bars, aluminum.



Hydraulic separate type of cutting tools: CPC-20B



 <p>CPC-20A</p>	 <p>CPC-40A</p>	 <p>CPC-55A</p>
 <p>CPC-85A</p>	 <p>CPC-100B</p>	 <p>CPC-85B</p>
 <p>CPC-20B</p>	 <p>CPC-40B</p>	 <p>CPC-55B</p>

Characters:

1. It can be operated to cut on the electrical wire pole.
2. CPC-40A FRP insulated bar 20kv/5min.
3. It is specialized in cutting the separate type of steel wires and aluminum wires.
4. CPC-100B,85B.40B.55B.20B matched with pump of CTE-25AS or CP-700.
5. Packing has two: A. Canvas bag, B. Iron case.
6. Razors are manufactured with high carbon alloy steel, which is specialized in cutting steel, aluminum wires HRC 65çX.

* The blade of the razor is 45çX and 5çX; if cutting ACSR , please use to 5°

Model	Price (Rp)	Output (tons)	Weight (kg)	Lenght (mm)	 Wire rope Weight (kg)			 Round bar			
					6x7 Hemp-core (mm)	6x12 Hemp-core (mm)	6x19 Hemp-core (mm)	Soft Copper Bar (mm)	Soft Aluminum Bar (mm)	Reinforcing Bar (mm)	Reinforcing Bar (mm)
					CPC-20A	7.374.375	20	9.3	675	20	20
CPC-40A	11.715.625	6	6.5	630	12	12	12	12	12	12	12
CPC-55A	8.117.083	7	7.2	610	---	---	---	20	20	16	20
CPC-85A	11.135.833	4	9.2	705	---	---	---	---	---	---	---
CPC-20B	5.107.917	20	16	305	20	20	20	20	25	20	25
CPC-40B		6	4	310	22	25	20	20	20	16	20
CPC-55B	7.086.875	10	6	300	---	---	---	28	28	16	28
CPC-85B	7.537.292	4.5	6.5	456	---	---	---	---	---	---	---
CPC-100B	14.173.750	8.8	13.5	570	---	---	---	---	---	---	---
CPC-160B	73.791.667										

Model	 Wire stands					 Round bar		
	Bare Copper Strands (mm)	Bare Aluminum Strands	ACSR (mm)	1x7 Guy Steel Wire Strands	1x19 Guy Steel Wire Strands (mm)	Tele- phone Gable CCP	Soft Aluminum Bar (mm)	Reinforcing
CPC-20A	32	32	32	32	32	---	---	32
CPC-40A	20	20	38	20	20	---	---	39
CPC-55A	24	50	50	28	20	---	---	50
CPC-85A	28	46	---	---	---	85	85	50
CPC-20B	32	32	35	20	20	---	---	41
CPC-40B	32	32	38	20	20	---	---	41
CPC-55B	50	50	50	15	20	---	---	50
CPC-85B	28	46	---	---	---	85	85	50
CPC-100B	42	46	---	---	---	---	100	7



Functions:







1. CC-32B, CC-50B the opener is 42mmO and 52mmO, easy to cutting operation in the distributed electricity tray.
2. Available to high pressure PE.IV cables, phone wires, for cutting quickly.
3. High carbon Tungsten alloy steel of razor is strong and heat treated HRC-65°.
4. To match with pump CTE-25AS, CP-700 series.
5. CC-32B, CC-50B hydraulic cylinder can be used with CC-104.
 - o CSC-30B, CSC-52B can cut 9mm of iron.

Figure for specification

Model	Name	Function			Output (Tons)	Weight (kg)	Price (Rp)
		Cable Ø mm	Specifica-tion	Iron rope Ø mm			
CC-32B+A	Hydraulic cable cutting tool	D 32	4002	---	12	5	
CC-50B+A	Hydraulic cable cutting tool	D 50	6302	---	12	6	5.860.208

Cable, steel ropes cutting tools

Cable 102-5002, round bars 5mm Ø -9mm Ø, Steel ropes 9mm Ø -14mm Ø

 CC-22	 CC-38	 CC-60
 CC-100	 CC-400	 CC-500
 CS-325 (Ratchet type)	 CS-520 (Ratchet type)	 MI-60
 MI-200	 624	

- Electric cables, aluminum wires for cutting, smooth blade, quickness; type: direct type, ratchet type.
- Specialize in cutting steel ropes, round bars, its handle is designed to be aluminum and iron tube, which are covered by PVC.
- Special material of Chromium vanadium steel with heat treatment the handle had been passed rust resisting treatment to be kept long time.

Notice:

1. These tools specialized in cutting copper aluminum wire can not cut the steel ropes and round bars.
2. If want to cut steel rope, round bar, please choose to use the tool of MI-60, MI-200, MI-624 , CS-325 Ratchet type.

Model	Length		Weight (g)	Copper cable	
	(mm)	(In)		DIN mm2	AWG/MCM
CC-22	160	6 1/4"	190	25	#4
CC-38	210	8 1/4"	320	50	#2
CC-60	240	9 1/2"	480	60	#1/0
CC-250	600	23 5/8"	1,650	300	500
CC-400	680	26 3/4"	2,120	400	500
CC-500	800	31 1/2"	2,890	630	1000
CS-325	259	9 1/2"	580	400	750
CS-500					
CS-520	400	15 1/4"	1,600	630	1000
MI-60	315	12 3/8"	730	Iron bar 5 mm Ø; Steel rope 7 mm Ø	
MI-200	585	23"	1,640	Iron bar 9 mm Ø; Steel rope 14 mm Ø	
MI-624	795	31 1/4"	5,160	Steel rope 1/2", 12.7mm Ø	

* CS-325, CS-520 are ratchet type and labor saving type, these items can not cut PE of insulated cable or iron steel materials.

Hydraulic type of angle steel cutting tools

Hydraulic type of angle steel cutting tools



CAC-110 Angle iron pressed cutting tool

- It is specialized in cutting angle steel, cutting the distributed electricity high pressure iron tower of angle steel.
- The surface is smooth to be operated in outdoor, easy to carry.

Model	Ton	Angle iron size (mm)	Tool size (mm)
CAC-110	30	110 x 110 x 10	375 x 300 x 215
Weight(kg)		60	Available pump

Screw cap cutting tool

-direct type and separate type 10,000 PSI



- NC-1924A - Direct type of screw cap erase tool
- Output : 10 Ton
- Cutting : Bolt 12~16mm / Nut 19~24mm
- Weight : 8kg



CNC-3241 Separate type of screw cap erase tool

CNC-1924

1. When rust screw cap is not easy to be taken off, using this special screw cap broken hydraulic tool is the most hour saving and labour saving, its merit is that it can not be influenced by electricity.
2. CNC-1924A can operate on the high altitudes by only one person, labour saving and low cost.
3. The sizes of screw caps can be based in the following figure to choose the correct sizes of tools; separate type of tool, CNC-3241. CNC-1924 must match power pump CTE-25AS or CP-700, CFP-800-1 for use.

Figure for specification

Model	Hex.screw (mm)	Screw bolt	Tool size (mm)							Ton	Weigh (kg)
			A	B	C	D	E	F	G		
CNC-1924	19, 24	M-12-M16	55	71	8	25	153	38	44	10	2
CNC-2432	24, 32	M-16-M22	62	76	10	30	177	49	44	14	3
CNC-3241	32, 41	M-22-M27	76	90	15	35	212	63	44	20	4.4
CNC-4150	41, 50	M-27-M33	96	109	18	45	244	73	60	35	8.2

2 TON-L-GRIP



Model S-2000CL

- Copper cable, covered conductor, and messenger wire

Model S-2000AL

- Bare aluminum cable and A.C.S.R.

Safe Load	Cable Diameter	WT
2 ton	4 ~22 m/m	1.5 kg

3 TON-L-GRIP



Model S-3000CL

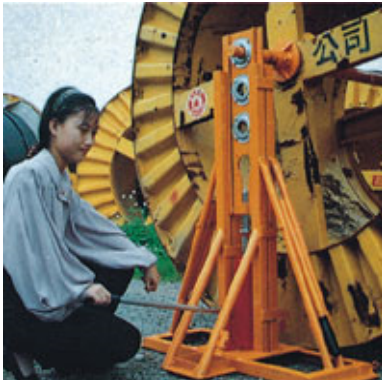
- Copper cable, covered conductor, and messenger wire

Model S-3000AL

- Bare aluminum cable and A.C.S.R.

Safe Load	Cable Diameter	WT
2 ton	5 ~25 m/m	2.4 kg

CRS-10 Hydraulic cable releasing frame



- Load: 10 Ton
- Total length: 1325mm
- Stroke: 45mm
- 1050mm(H)x300mm(W) x930mm(W)

CRS-46 Hydraulic cable releasing frame



- Load: 2 Ton
- Total length: 700mm
- Stroke: 245mm

CRS-4 Table wire releasing tray



- Load: 1 Ton
- Can put below 1802 (four books) of cables
- Bearing for turning.

CRS-5(A) Table wire releasing tray



- Load: 800 kg
- Bearing for turning.
- 450mm(L) x 760mm(W)

Name	Specifications
CRS-2/46	2 TON
CRS-10	10 TON
CRS-20	
CRS-5A	
CRS-5B	

CRS-5(B) Table wire releasing tray



- Single one to be used, also can combine with 3 pieces.
- W x 600mm, total length 700mm

Single-acting sold plunger design



Flat type of spring imported from Germany
 Manufacture method is the same as RMC.
 Please refer the RMC details for characters

Model	Tons	Stroke (mm)	Oil Cap (cc)	Cyc Effect Area(cm2)
RSC-101	10	38	56	14.5
RSC-201	20	44	126	28.3
RSC-301	30	62	260	41.9
RSC-501	50	60	382	63.6

Model	A (mm)	B (mm)	C (mm)	D (mm)	E (mm)	F (mm)	H (mm)	K (mm)	R (mm)	U (mm)	V (mm)	Weight (kg)
RSC-101	88	126	85.5	70	43	38	17	2.5	50	26	M4	2.6
RSC-201	98	142	96.5	90	60	51	17	1.5	50	40	M5	4.6
RSC-301	117.4	179.4	116	100	73	67	17	1.4	50	40	M5	6.6
RSC-501	123	183	121	124	90	70	23	2	50	40	M5	10.2

Single-acting sold plunger design

RL-SERIES;G 5, 10, 20, 30, 50, 100 TONS

- Be suit to light industry: for example shipbuilding industry, building industry, railway, airport, and paper mill;Ketc
- It can be designed practical size according to your requirements and divide into pushing type and pulling type.
- Cause using HONING, CYLINDER PIPE with excellent quality. The inside hole of cylinder was ground and processed by HONING used exclusively machine. Circular and rectilinear are perfect to match the standard of JIS industry.
- Cylinder is suit to the pressure of 70kg-210kg; the part of piston was passed by heat treatment and electroplated with hard-Chromium.
- It is used to the place where needs a long distance.
- If the length is not enough, can use a lump of iron or board to step high up.



RL-Series Specification

TON	Model Number	Stroke (A)m/m	Length (B)m/m	Diameter (C)m/m	Convex for piston D)m/m	Taking area for piston (E)m/m	Oiler (F)m/m	Inside diameter of cylinder m/m
5	RL	150	230	45	2	28	25	35
5	RL	120						
10	RL	120	200	45	2	28	25	35
10	RL	150						
20	RL	150	230	60	2	38	25	45
20	RL	120						
30	RL	120	200	60	2	38	25	45
30	RL	150						
50	RL	150	230	80	2	50	30	60
50	RL	120						
50	RL	105						

Pulling-Wheel Tools

Hydraulic type of pulling wheel tools



Separate type output: 10-50 tons, pulling wheel: 50-1100m/m

- Hydraulic type of pulling wheel not only can save time, but also can reach the highest efficiency, which has extensive purposes in car maintenance mill and machinery mill; any bearing, pulley, motor, gear wheel can use it.
- Apply it to the maintenance mill, machinery factory of gear wheel, pulley, gearing or other wheels. At present the sugar mill, steel mill and large iron factory have bought and used it.

Model	Type	Output	Weight
CPS-10	Hydraulic	10 ton	11kg
Efficient	Axis heat stroke	Pulling wheel capacity	
28m/m	95m/m	50m/mø ~300m/m ø	
Enclosed three claw accessory			



Mode	Output	Axis heat stroke	Pulling wheel capacity	Weight
CPS-20	20 ton	300m/m	50m/mø-500m/mø	40 kg
CPS-30	30 ton	500m/m	800m/mø	75 kg
CPS-50	50 ton	700m/m	1100m/mø	139 kg
Enclosed three claw accessory				

Characters:

1. Based on the wheel shape to change the length of the claw to match the work finished.
2. Based on the working requirement to change the length of the claw to match the work finished.
3. This item has adjustable axis heart to make the work processed.
4. Have good pulling force of design, when the pressure increases, three claws can balance the fixation to process the pulling wheel operation.
5. This item has separate type to carry easily, doesn't be limited by working space, easy to operate.
6. To increase the working efficiency, labor saving, to match power pump and hand pump series.
7. This item uses very special steel material to be cast, not easy to damage.

Tonnage (Ton)	(C) SPREAD		(A) REACH		(F) Length
	3-claw	2-claw	2-claw	3-claw	
10	16"	20"	8"	12"	400mm
20	19.6"	23.6"	10"	14"	550mm
30	26"	34"	14 3/4"	20 3/4"	820mm
50	36"	44"	16 5/8"	28 7/8"	1000mm

Drawings:

- A: Axis heart strike(pulling strike)
- C: Pulling wheel area(claw distance)
- D: Fastening adjust screw
- E: Turning axis heart of axis
- B: Fixed active arm of distance
- F: Length of claw

Foot Switch




- Foot Switch 220V adalah saklar On-Off yang dijalankan menggunakan pijakan kaki Mudah dalam pemasangan dan pengoperasiannya. Diproduksi dengan kualitas hadal dan tahan lama sesuai standar internasional.
- Compatible untuk digunakan sebagai operator pada berbagai macam mesin.
- Dapat digunakan untuk menggerakkan mesin conveyor , mesin penekan / pusher dan mesin roll berputar.


Tipe	Voltage
FS 1	AC 250V 10A
FS 2	AC 250V 10A
FS 3	AC 250V 10A
FS 4	AC 250V 15A
FS 5	AC 250V 15A

AC - DC Power Supplies


15W Single Output Switching Power Supply

Type	DC output	Picture
S-5-9	9V , 5.6A	
S-15-5	5V , 3A	
S-15-12	12V , 1.3A	
S-15-15	15V , 1A	
S-15-24	24V , 0.7A	


35W Single Output Switching Power Supply

Type	DC output	Picture
S-35-5	5V , 7A	
S-35-12	12V , 3A	
S-35-15	15V , 2.2A	
S-35-24	24V , 1.5A	
S-15-24	24V , 0.7A	

50W Single Output Switching Power Supply

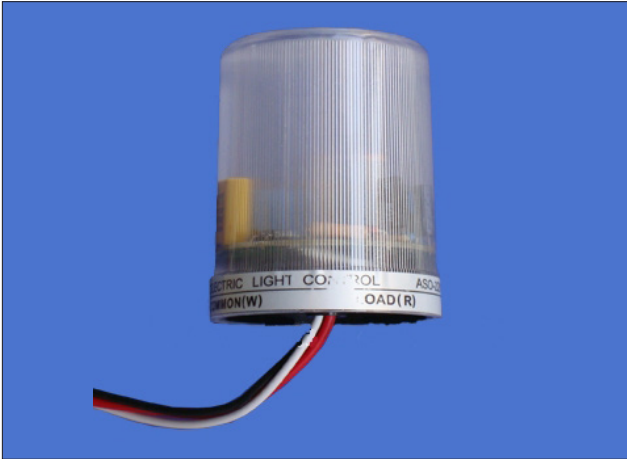
Type	DC output	Picture
S-50-5	5V , 10A	
S-50-12	12V , 4.2A	
S-50-15	15V , 3.4A	
S-50-24	24V , 2.1A	
S-15-24	24V , 0.7A	

50W Single Output Switching Power Supply

Type	DC output	Picture
S-100-5	5V , 20A	
S-100-12	12V , 8.5A	
S-100-15	15V , 6.6A	
S-100-24	24V , 4.5A	
S-100-48	48V , 12.5A	

- AC Input Range Selectable By Switch
- Low Cost,High Reliability
- Built-in EMI Filter
- Protection over load/short circuit
- 100% full load high temperature burn-in test
- 1 years warranty

Photo Electric Light Control



- Arus: 6A
- Tegangan: 220 VAC
- Sensor cahaya (photo cell) biasa digunakan sebagai sensor untuk menyalakan dan mematikan lampu secara otomatis. Sensor cahaya bekerja dengan menyalakan lampu secara otomatis pada saat kondisi sekelilingnya gelap dan mematikan lampu secara otomatis pada saat kondisi sekelilingnya terang. Dapat digunakan untuk lampu jalan, lampu taman maupun lampu outdoor di rumah.

Electronic Lettering Machine LM-550A



Dimensions	275 x 300 x 91 mm
Weight	2,3 kg
Printing method	Thermal transfer method(300dpi)
Display	LCD dot matrix : 64 x 160Pixel (Backlit)
Printing speed	35mm/s(Standard) 20mm/s(Low temperature mode)
Character size	2, 3, 4 or 6 mm
Usable tube size	Ø 2,5 ~ 6,5 mm ((PVC, Shrinkable tube)
Usable tape size	Width 5,9,12mm (MAX genuine tape)
Internal memory	100.000 characters per file (max. 5000 per folder; max. amount of folders: 50)
External memory	USB memory
Interface	USB 2.0 full speed
Power supply	DC 12V, 3.3A [Use only specified AC adapter(100V-240V) included in the package.]
Power consumption	max. 16W
Operating environment	10 to 35 degrees celcius

Consumables

Ekonomis Ink Ribbon

LM-IR50B (HITAM)	110m / ROLL	5 ROLLS / BOX
------------------	-------------	---------------

Ink Ribbon Untuk Panas Shrinkable Tube

LM-IR50BP (HITAM)	110m / ROLL	5 ROLLS / BOX
LM-IR50W (PUTIH)	70m / ROLL	5 ROLLS / BOX

Ul Standar Compliant Tube

LM-TU332N2 PUTIH	Dia. 3.2mm x 100m / ROLL	1 ROLL / BOX
LM-TU336N2 PUTIH	Dia. 3.6mm x 100m / ROLL	1 ROLL / BOX
LM-TU342N2 PUTIH	Dia. 4.2mm x 80m / ROLL	1 ROLL / BOX
LM-TU352N2 PUTIH	Dia. 5.2mm x 80m / ROLL	1 ROLL / BOX

Max Kualitas Tinggi Tube

LM-TU432L PUTIH	Dia. 3.2mm x 200m / ROLL	1 ROLL / BOX
LM-TU436L PUTIH	Dia. 3.6mm x 200m / ROLL	1 ROLL / BOX
LM-TU442L PUTIH	Dia. 4.2mm x 200m / ROLL	1 ROLL / BOX
LM-TU452L PUTIH	Dia. 5.2mm x 135m / ROLL	1 ROLL / BOX
LM-TU464L PUTIH	Dia. 6.4mm x 100m / ROLL	1 ROLL / BOX

Tape Kaset

LM-TP505W (putih).	16m / ROLL	10 ROLLS / BOX
LM-TP505Y (kuning).	8 m / ROLL	10 ROLLS / BOX
LM-TP505T (CLEAR).	8 m / ROLL	10 ROLLS / BOX
LM-TP509W (putih).	16m / ROLL	10 ROLLS / BOX
LM-TP509Y (kuning).	8 m / ROLL	10 ROLLS / BOX
LM-TP509T (CLEAR).	8 m / ROLL	10 ROLLS / BOX
LM-TP512W (putih).	16m / ROLL	10 ROLLS / BOX
LM-TP512Y (kuning).	8 m / ROLL	10 ROLLS / BOX

Kabel Ladder type W/SLW



- Seperti yang kita tahu, Kabel Ladder merupakan jenis Kabel tray yang berbentuk tangga dengan fungsi sebagai salah satu perangkat Cable support system atau sistem pendukung pada kabel. Kabel Ladder dengan Profil samping W merupakan jenis kabel yang kami tawarkan untuk anda dengan berbagai type seperti Kabel Ladder type SLW 60 x 10 dengan palang profil u, SLW 80 x 10 dan SLW 100 x 10 dengan palang profil W dan sebagainya.
- Kabel Ladder type W/SLW memiliki spesifikasi material sebagai berikut:
- Traytek : Hot Rolled Coil / SPHC 1,8mm - panjang 3000 mm
- Trayindo : Hot Rolled Coil / SPHC 1,2mm - panjang 2400 mm

Type	Width	Height
SLW 10 x 10	100	100
SLW 15 x 10	150	100
SLW 20 x 10	200	100
SLW 30 x 10	300	100
SLW 40 x 10	400	100
SLW 50 x 10	500	100
SLW 60 x 10	600	100
SLW 80 x 10	800	100
SLW 100 x 10	1000	100

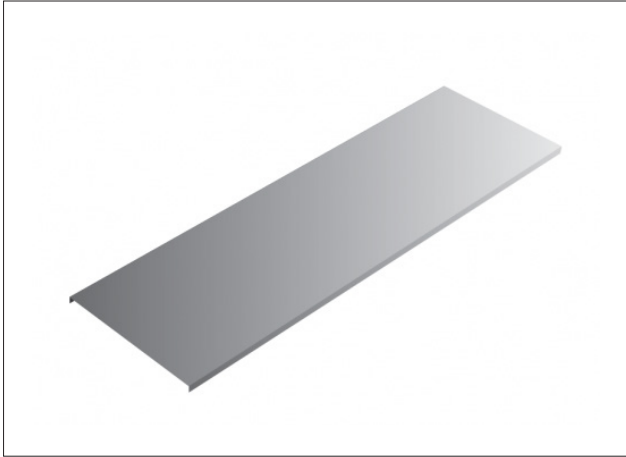
Kabel Ladder type U / SLU



- Kabel ladder dengan profil samping U atau yang biasa dikenal dengan kabel ladder economy merupakan salah satu jenis rak kabel. Terdapat 2 macam kabel ladder type U / SLU, yaitu SLU dengan tinggi (H) 5 cm dan SLU dengan tinggi (H) 10 cm.
- Kabel Ladder type U / SLU dengan ukuran sampai dengan SLU 60 x 10 memiliki palang dengan profil biasa / U Sedangkan SLU 80 x 10 dan SLU 100 x 10 memiliki palang dengan profil W
- Kabel Ladder type U/SLU memiliki spesifikasi material sebagai berikut:
- Traytek : Hot Rolled Coil / SPHC 1,8mm - panjang 3000 mm
- Trayindo : Hot Rolled Coil / SPHC 1,2mm - panjang 2400 mm

Type	Width	Height
SLU 10 x 5	100	50
SLU 15 x 5	150	50
SLU 20 x 5	200	50
SLU 30 x 5	300	50
SLU 40 x 5	400	50
SLU 50 x 5	500	50
SLU 60 x 5	600	50
SLU 80 x 5	800	50
SLU 100 x 5	1000	50
SLU 10 x 10	100	100
SLU 15 x 10	150	100
SLU 20 x 10	200	100
SLU 30 x 10	300	100
SLU 40 x 10	400	100
SLU 50 x 10	500	100
SLU 60 x 10	600	100
SLU 80 x 10	800	100
SLU 100 x 10	1000	100

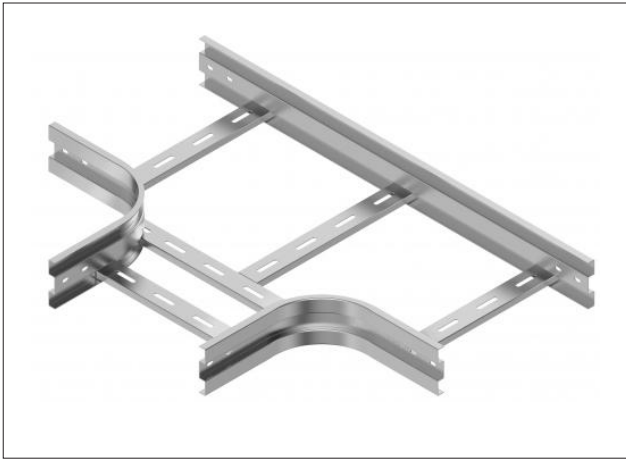
Cover Ladder Type W dan Type U



- Cover / penutup ladder type W dan type U merupakan perangkat yang dibutuhkan pada Kabel Ladder. Penggunaan cover pada rangkaian sistem kabel ladder membuat sistem kabel ladder menjadi aman dari berbagai gangguan yang dapat menyebabkan masalah kepada rangkaian kabel di dalam sistem kabel ladder.
- Penutup ladder type W dan type U yang kami sediakan memiliki spesifikasi sebagai berikut:
- Traytek : Hot Rolled Coil / SPHC 1,8mm - panjang 3000 mm
- Trayindo : Hot Rolled Coil / SPHC 1,2mm - panjang 2400 mm

Type	Width	Height
Cover 10 cm	100	10
Cover 15 cm	150	10
Cover 20 cm	200	10
Cover 25 cm	250	10
Cover 30 cm	300	10
Cover 40 cm	400	10
Cover 50 cm	500	10
Cover 60 cm	600	10
Cover 80 cm	800	10
Cover 100 cm	1000	10

Tee ladder



- Tee ladder adalah aksesoris untuk mempertemukan 3 cabang jalur kabel ladder.

Spesifikasi material:

- Traytek: Hot Rolled Coil / SPHC 1,8mm - radius 30 cm
- Trayindo: Hot Rolled Coil / SPHC 1,2mm - radius 30 cm

Type	Width	Height
Tee SLW 10 x 10	100	100
Tee SLW 15 x 10	150	100
Tee SLW 20 x 10	200	100
Tee SLW 30 x 10	300	100
Tee SLW 40 x 10	400	100
Tee SLW 50 x 10	500	100
Tee SLW 60 x 10	600	100
Tee SLW 80 x 10	800	100
Tee SLW 100 x 10	1000	100
Tee SLU 10 x 5	100	50
Tee SLU 15 x 5	150	50
Tee SLU 20 x 5	200	50
Tee SLU 30 x 5	300	50
Tee SLU 40 x 5	400	50
Tee SLU 50 x 5	500	50
Tee SLU 60 x 5	600	50
Tee SLU 80 x 5	800	50
Tee SLU 100 x 5	1000	50
Tee SLU 10 x 10	100	100
Tee SLU 15 x 10	150	100
Tee SLU 20 x 10	200	100
Tee SLU 30 x 10	300	100
Tee SLU 40 x 10	400	100
Tee SLU 50 x 10	500	100
Tee SLU 60 x 10	600	100
Tee SLU 80 x 10	800	100
Tee SLU 100 x 10	1000	100

Elbow Ladder



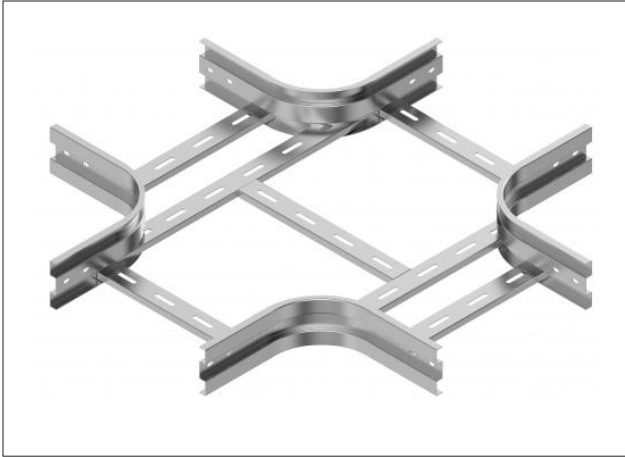
- Elbow Ladder adalah sebuah perangkat tambahan yang cukup penting untuk mengatur arah dari kabel Ladder, karena Elbow ladder berfungsi untuk merubah arah jalur kabel ladder secara horizontal, baik ke arah kiri atau ke arah ke kanan
- Terdapat 2 macam elbow ladder, yaitu:
 1. Elbow ladder type W / Elbow SLW
 - Untuk Elbow SLW ukuran sampai dengan Elbow SLW 60 x 10 berbentuk bulat (Round Elbow).
 - Untuk Elbow SLW 80 x 10 dan Elbow SLW 100 x 10 berbentuk siku (Corner Elbow).
 2. Elbow ladder type U / Elbow SLU: Elbow SLU H5 dan Elbow SLU H10
 - Untuk Elbow SLU baik H5 maupun H10 berbentuk siku (Corner Elbow).

Type	Width	Height
Elbow SLW 10 x 10	100	100
Elbow SLW 15 x 10	150	100
Elbow SLW 20 x 10	200	100
Elbow SLW 30 x 10	300	100
Elbow SLW 40 x 10	400	100
Elbow SLW 50 x 10	500	100
Elbow SLW 60 x 10	600	100
Elbow SLW 80 x 10	800	100
Elbow SLW 100 x 10	1000	100
Elbow SLU 10 x 5	100	50
Elbow SLU 15 x 5	150	50
Elbow SLU 20 x 5	200	50
Elbow SLU 30 x 5	300	50
Elbow SLU 40 x 5	400	50
Elbow SLU 50 x 5	500	50
Elbow SLU 60 x 5	600	50
Elbow SLU 80 x 5	800	50
Elbow SLU 100 x 5	1000	50
Elbow SLU 10 x 10	100	100
Elbow SLU 15 x 10	150	100
Elbow SLU 20 x 10	200	100
Elbow SLU 30 x 10	300	100
Elbow SLU 40 x 10	400	100
Elbow SLU 50 x 10	500	100
Elbow SLU 60 x 10	600	100
Elbow SLU 80 x 10	800	100
Elbow SLU 100 x 10	1000	100

Spesifikasi Material Elbow Ladder

- Traytek: Hot Rolled Coil / SPHC 1,8mm - radius 30 cm
- Trayindo: Hot Rolled Coil / SPHC 1,2mm - radius 30 cm

Cross ladder



- Cross ladder adalah aksesoris untuk mempertemukan 4 cabang jalur kabel ladder.

Spesifikasi material:

- Traytek: Hot Rolled Coil / SPHC 1,8mm - radius 30 cm
- Trayindo: Hot Rolled Coil / SPHC 1,2mm - radius 30 cm

Type	Width	Height
Cross SLW 10 x 10	100	100
Cross SLW 15 x 10	150	100
Cross SLW 20 x 10	200	100
Cross SLW 30 x 10	300	100
Cross SLW 40 x 10	400	100
Cross SLW 50 x 10	500	100
Cross SLW 60 x 10	600	100
Cross SLW 80 x 10	800	100
Cross SLW 100 x 10	1000	100
Cross SLU 10 x 5	100	50
Cross SLU 15 x 5	150	50
Cross SLU 20 x 5	200	50
Cross SLU 30 x 5	300	50
Cross SLU 40 x 5	400	50
Cross SLU 50 x 5	500	50
Cross SLU 60 x 5	600	50
Cross SLU 80 x 5	800	50
Cross SLU 100 x 5	1000	50
Cross SLU 10 x 10	100	100
Cross SLU 15 x 10	150	100
Cross SLU 20 x 10	200	100
Cross SLU 30 x 10	300	100
Cross SLU 40 x 10	400	100
Cross SLU 50 x 10	500	100
Cross SLU 60 x 10	600	100
Cross SLU 80 x 10	800	100
Cross SLU 100 x 10	1000	100

Ir Ladder



- IR / Inside Riser ladder berfungsi untuk merubah arah jalur kabel ladder secara vertikal, untuk naik.

Spesifikasi material:

- Traytek: Hot Rolled Coil / SPHC 1,8mm - radius 30 cm
- Trayindo: Hot Rolled Coil / SPHC 1,2mm - radius 30 cm

Type	Width	Height
IR SLW 10 x 10	100	100
IR SLW 15 x 10	150	100
IR SLW 20 x 10	200	100
IR SLW 30 x 10	300	100
IR SLW 40 x 10	400	100
IR SLW 50 x 10	500	100
IR SLW 60 x 10	600	100
IR SLW 80 x 10	800	100
IR SLW 100 x 10	1000	100
IR SLU 10 x 5	100	50
IR SLU 15 x 5	150	50
IR SLU 20 x 5	200	50
IR SLU 30 x 5	300	50
IR SLU 40 x 5	400	50
IR SLU 50 x 5	500	50
IR SLU 60 x 5	600	50
IR SLU 80 x 5	800	50
IR SLU 100 x 5	1000	50
IR SLU 10 x 10	100	100
IR SLU 15 x 10	150	100
IR SLU 20 x 10	200	100
IR SLU 30 x 10	300	100
IR SLU 40 x 10	400	100
IR SLU 50 x 10	500	100
IR SLU 60 x 10	600	100
IR SLU 80 x 10	800	100
IR SLU 100 x 10	1000	100

Or Ladder



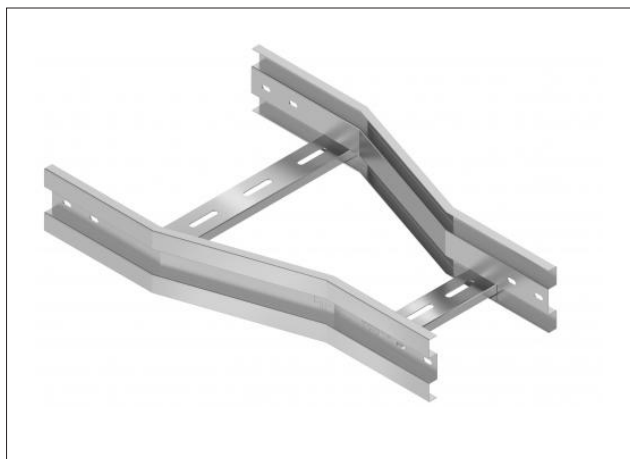
- OR / Outside Riser ladder berfungsi untuk merubah arah jalur kabel ladder secara vertikal, untuk turun.

Spesifikasi material:

- Traytek: Hot Rolled Coil / SPHC 1,8mm - radius 30 cm
- Trayindo: Hot Rolled Coil / SPHC 1,2mm - radius 30 cm

Type	Width	Height
OR SLW 10 x 10	100	100
OR SLW 15 x 10	150	100
OR SLW 20 x 10	200	100
OR SLW 30 x 10	300	100
OR SLW 40 x 10	400	100
OR SLW 50 x 10	500	100
OR SLW 60 x 10	600	100
OR SLW 80 x 10	800	100
OR SLW 100 x 10	1000	100
OR SLU 10 x 5	100	50
OR SLU 15 x 5	150	50
OR SLU 20 x 5	200	50
OR SLU 30 x 5	300	50
OR SLU 40 x 5	400	50
OR SLU 50 x 5	500	50
OR SLU 60 x 5	600	50
OR SLU 80 x 5	800	50
OR SLU 100 x 5	1000	50
OR SLU 10 x 10	100	100
OR SLU 15 x 10	150	100
OR SLU 20 x 10	200	100
OR SLU 30 x 10	300	100
OR SLU 40 x 10	400	100
OR SLU 50 x 10	500	100
OR SLU 60 x 10	600	100
OR SLU 80 x 10	800	100
OR SLU 100 x 10	1000	100

Reduser ladder



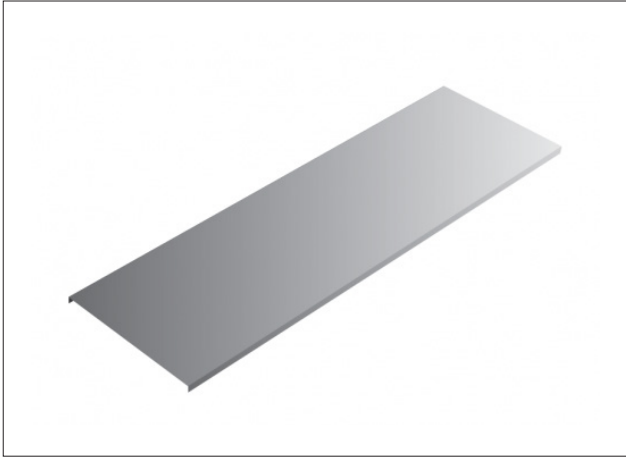
- Reduser ladder adalah aksesoris untuk mempertemukan 2 jalur kabel ladder dengan lebar kabel ladder yang berbeda.

Spesifikasi material:

- Traytek : Hot Rolled Coil / SPHC 1,8mm - panjang 60 cm
- Trayindo : Hot Rolled Coil / SPHC 1,2mm - panjang 60 cm

Type	Width	Height
Reduser SLW 15 x 10	150	100
Reduser SLW 20 x 10	200	100
Reduser SLW 30 x 10	300	100
Reduser SLW 40 x 10	400	100
Reduser SLW 50 x 10	500	100
Reduser SLW 60 x 10	600	100
Reduser SLW 80 x 10	800	100
Reduser SLW 100 x 10	1000	100
Reduser SLU 15 x 5	150	50
Reduser SLU 20 x 5	200	50
Reduser SLU 30 x 5	300	50
Reduser SLU 40 x 5	400	50
Reduser SLU 50 x 5	500	50
Reduser SLU 60 x 5	600	50
Reduser SLU 80 x 5	800	50
Reduser SLU 100 x 5	1000	50
Reduser SLU 15 x 10	150	100
Reduser SLU 20 x 10	200	100
Reduser SLU 30 x 10	300	100
Reduser SLU 40 x 10	400	100
Reduser SLU 50 x 10	500	100
Reduser SLU 60 x 10	600	100
Reduser SLU 80 x 10	800	100
Reduser SLU 100 x 10	1000	100

Kabel Duct Type C



- Kabel tray atau kabel ladder merupakan alat yang digunakan untuk meletakkan kabel instalasi listrik yang dipasang di tempat-tempat tertentu seperti bangunan gedung sehingga tertata rapi. Salah satu jenis kabel tray yang disediakan Traytek adalah kabel duct yaitu kabel Tray berbentuk Polos.
- Kabel Duct memiliki beberapa tipe, salah satunya adalah Kabel Duct type C Kabel duct dengan profil C atau biasa disebut dengan kabel duct standar.

Spesifikasi Kabel Duct Type C

- Traytek : Hot Rolled Coil / SPHC 1,8mm - panjang 3000 mm
- Trayindo : Hot Rolled Coil / SPHC 1,2mm - panjang 2400 mm

Type	Width	Height
Duct C 5 x 5	50	50
Duct C 10 x 5	100	50
Duct C 15 x 5	150	50
Duct C 20 x 5	200	50
Duct C 25 x 5	250	50
Duct C 30 x 5	300	50
Duct C 40 x 5	400	50
Duct C 50 x 5	500	50
Duct C 60 x 5	600	50
Duct C 80 x 5	800	50
Duct C 100 x 5	1000	50
Duct C 10 x 10	100	100
Duct C 15 x 10	150	100
Duct C 20 x 10	200	100
Duct C 25 x 10	250	100
Duct C 30 x 10	300	100
Duct C 40 x 10	400	100
Duct C 50 x 10	500	100
Duct C 60 x 10	600	100
Duct C 80 x 10	800	100
Duct C 100 x 10	1000	100

Kabel Duct Profil U



- Kabel Duct merupakan salah satu sistem kabel pendukung yang berfungsi sebagai rak kabel untuk merapikan rangkaian kabel dalam suatu bangunan sehingga tertata rapi. Kabel Duct yang diproduksi oleh kami memiliki banyak jenis, dan Kabel Duct type U adalah salah satunya. Kabel duct dengan profil U juga biasa dikenal dengan kabel duct economy.

Spesifikasi Kabel Duct Profil U

- Kabel Duct type U memiliki spesifikasi material sebagai berikut:
- Traytek : Hot Rolled Coil / SPHC 1,8mm - panjang 3000 mm
- Trayindo : Hot Rolled Coil / SPHC 1,2mm - panjang 2400 mm

Type	Width	Height
Duct U 5 x 5	50	50
Duct U 10 x 5	100	50
Duct U 15 x 5	150	50
Duct U 20 x 5	200	50
Duct U 25 x 5	250	50
Duct U 30 x 5	300	50
Duct U 40 x 5	400	50
Duct U 50 x 5	500	50
Duct U 60 x 5	600	50
Duct U 80 x 5	800	50
Duct U 100 x 5	1000	50
Duct U 10 x 10	100	100
Duct U 15 x 10	150	100
Duct U 20 x 10	200	100
Duct U 25 x 10	250	100
Duct U 30 x 10	300	100
Duct U 40 x 10	400	100
Duct U 50 x 10	500	100
Duct U 60 x 10	600	100
Duct U 80 x 10	800	100
Duct U 100 x 10	1000	100

Cover Duct Type C dan Dict Type U



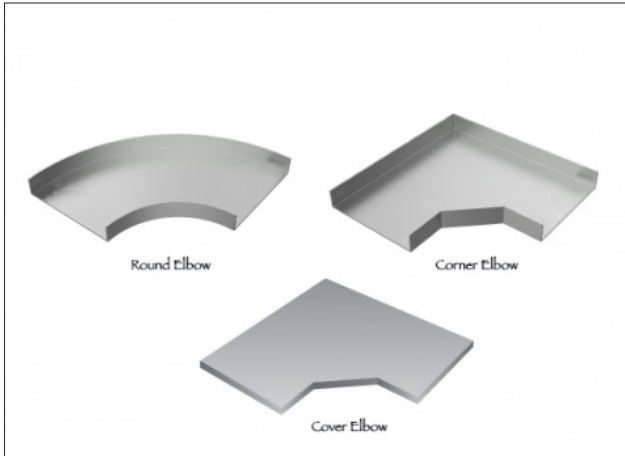
- Cover / penutup duct type C dan duct type U merupakan salah satu perangkat yang penting untuk menunjang peralatan seperti kabel duct. Penggunaan cover pada rangkaian sistem kabel duct berperan penting untuk membuat sistem kabel duct menjadi aman sepenuhnya dari berbagai gangguan yang dapat menyebabkan masalah kepada rangkaian kabel di dalam sistem kabel duct.

Spesifikasi Material

- Traytek : Hot Rolled Coil / SPHC 1,8mm - panjang 3000 mm
- Trayindo : Hot Rolled Coil / SPHC 1,2mm - panjang 2400 mm

Type	Width	Height
Cover 5 cm	50	10
Cover 10 cm	100	10
Cover 15 cm	150	10
Cover 20 cm	200	10
Cover 25 cm	250	10
Cover 30 cm	300	10
Cover 40 cm	400	10
Cover 50 cm	500	10
Cover 60 cm	600	10
Cover 80 cm	800	10
Cover 100 cm	1000	10

Elbow Duct



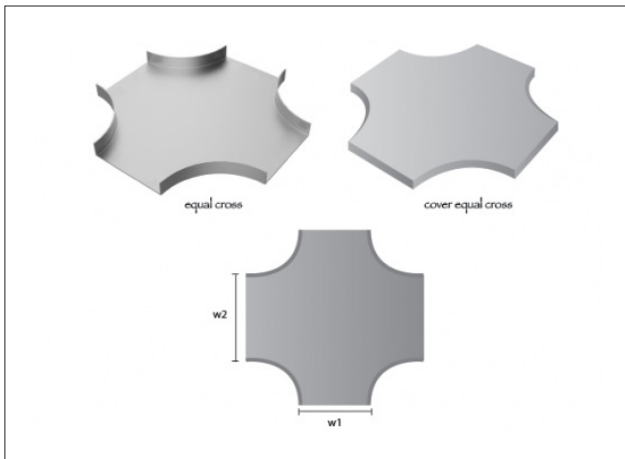
- Sebagai perangkat pendukung dari kabel duct, Elbow duct berfungsi untuk merubah arah jalur kabel duct secara horizontal. baik kearah kiri atau kearah kanan. sehingga dapat menyesuaikan dengan rapih.

Spesifikasi Material

- Traytek: Hot Rolled Coil / SPHC 1,8mm - radius 30 cm
- Trayindo: Hot Rolled Coil / SPHC 1,2mm - radius 30 cm

Type	Width	Height
Elbow duct 5 x 5	50	50
Elbow duct 10 x 5	100	50
Elbow duct 15 x 5	150	50
Elbow duct 20 x 5	200	50
Elbow duct 25 x 5	250	50
Elbow duct 30 x 5	300	50
Elbow duct 40 x 5	400	50
Elbow duct 50 x 5	500	50
Elbow duct 60 x 5	600	50
Elbow duct 80 x 5	800	50
Elbow duct 100 x 5	1000	50
Elbow duct 10 x 10	100	100
Elbow duct 15 x 10	150	100
Elbow duct 20 x 10	200	100
Elbow duct 25 x 10	250	100
Elbow duct 30 x 10	300	100
Elbow duct 40 x 10	400	100
Elbow duct 50 x 10	500	100
Elbow duct 60 x 10	600	100
Elbow duct 80 x 10	800	100
Elbow duct 100 x 10	1000	100

Cross Duct



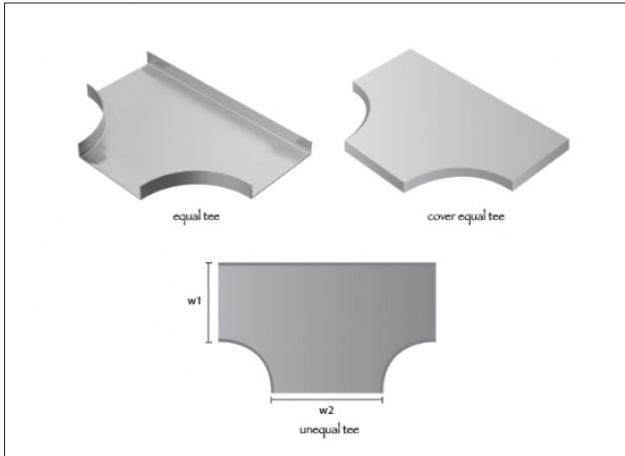
- Aksesoris seperti Cross duct sangat dibutuhkan untuk mempertemukan 4 cabang jalur kabel duct, sehingga kabel duct yang anda pasang pada bangunan tertentu dapat teratur dan rapi sehingga terhindar dari hal yang membahayakan.

Spesifikasi Cross Duct

- Traytek: Hot Rolled Coil / SPHC 1,8mm - radius 30 cm
- Trayindo: Hot Rolled Coil / SPHC 1,2mm - radius 30 cm

Type	Width	Height
Cross duct 5 x 5	50	50
Cross duct 10 x 5	100	50
Cross duct 15 x 5	150	50
Cross duct 20 x 5	200	50
Cross duct 25 x 5	250	50
Cross duct 30 x 5	300	50
Cross duct 40 x 5	400	50
Cross duct 50 x 5	500	50
Cross duct 60 x 5	600	50
Cross duct 80 x 5	800	50
Cross duct 100 x 5	1000	50
Cross duct 10 x 10	100	100
Cross duct 15 x 10	150	100
Cross duct 20 x 10	200	100
Cross duct 25 x 10	250	100
Cross duct 30 x 10	300	100
Cross duct 40 x 10	400	100
Cross duct 50 x 10	500	100
Cross duct 60 x 10	600	100
Cross duct 80 x 10	800	100
Cross duct 100 x 10	1000	100

Tee Duct



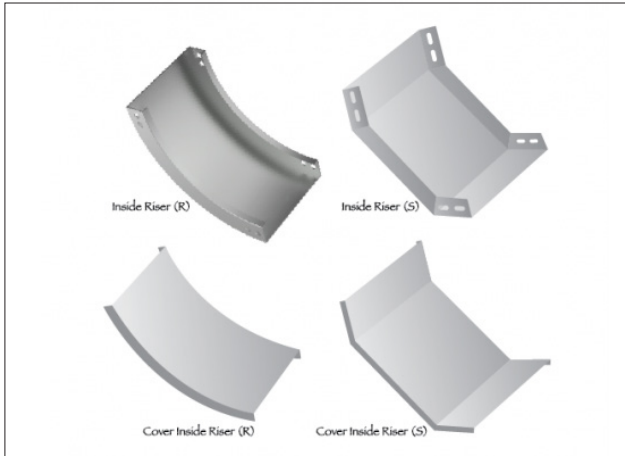
- Berbagai aksesoris kabel duct yang kami sediakan memiliki fungsi yang berbeda-beda, Salah satunya adalah Tee Duct. Tee duct merupakan aksesoris kabel duct yang berfungsi untuk mempertemukan 3 cabang jalur kabel duct sehingga dapat tertata rapi.

Spesifikasi Material Tee Duct

- Traytek: Hot Rolled Coil / SPHC 1,8mm - radius 30 cm
- Trayindo: Hot Rolled Coil / SPHC 1,2mm - radius 30 cm

Type	Width	Height
Tee duct 5 x 5	50	50
Tee duct 10 x 5	100	50
Tee duct 15 x 5	150	50
Tee duct 20 x 5	200	50
Tee duct 25 x 5	250	50
Tee duct 30 x 5	300	50
Tee duct 40 x 5	400	50
Tee duct 50 x 5	500	50
Tee duct 60 x 5	600	50
Tee duct 80 x 5	800	50
Tee duct 100 x 5	1000	50
Tee duct 10 x 10	100	100
Tee duct 15 x 10	150	100
Tee duct 20 x 10	200	100
Tee duct 25 x 10	250	100
Tee duct 30 x 10	300	100
Tee duct 40 x 10	400	100
Tee duct 50 x 10	500	100
Tee duct 60 x 10	600	100
Tee duct 80 x 10	800	100
Tee duct 100 x 10	1000	100

IR Duct



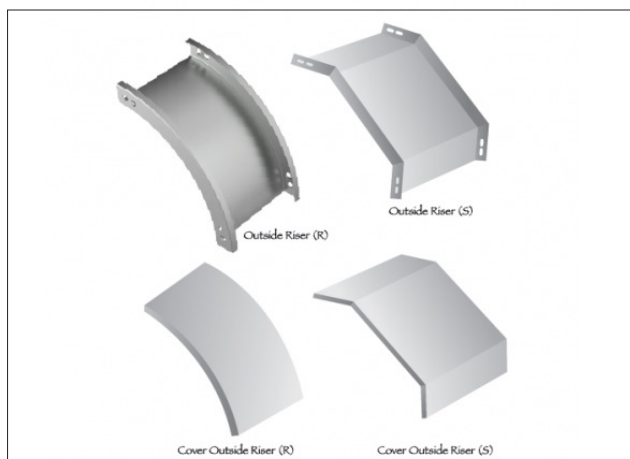
- IR/Insider Riser duct berfungsi untuk merubah arah jalur kabel duct secara vertikal, untuk naik. IR duct merupakan aksesoris pelengkap dari kabel duct sehingga membuat kabel anda terlihat rapi dan tertata dengan baik.

Spesifikasi Material

- Berikut adalah spesifikasi material dari IR duct yang kami sediakan untuk anda:
- Traytek: Hot Rolled Coil / SPHC 1,8mm - radius 30 cm
- Trayindo: Hot Rolled Coil / SPHC 1,2mm - radius 30 cm

Type	Width	Height
IR duct 5 x 5	50	50
IR duct 10 x 5	100	50
IR duct 15 x 5	150	50
IR duct 20 x 5	200	50
IR duct 25 x 5	250	50
IR duct 30 x 5	300	50
IR duct 40 x 5	400	50
IR duct 50 x 5	500	50
IR duct 60 x 5	600	50
IR duct 80 x 5	800	50
IR duct 100 x 5	1000	50
IR duct 10 x 10	100	100
IR duct 15 x 10	150	100
IR duct 20 x 10	200	100
IR duct 25 x 10	250	100
IR duct 30 x 10	300	100
IR duct 40 x 10	400	100
IR duct 50 x 10	500	100
IR duct 60 x 10	600	100
IR duct 80 x 10	800	100
IR duct 100 x 10	1000	100

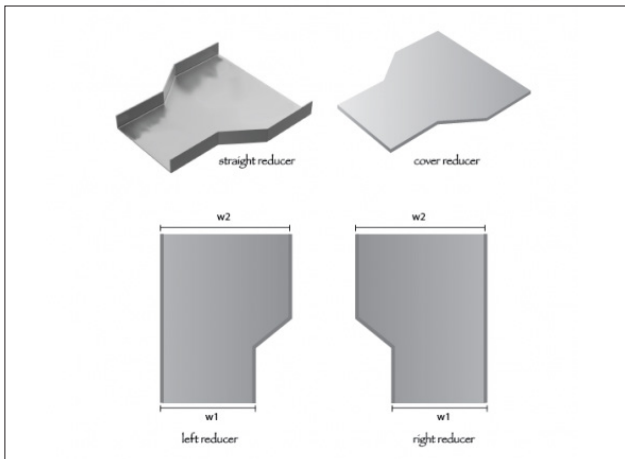
Outside Riser Duct



- OR / Outside Riser duct merupakan salah satu perlengkapan tambahan kabel duct yang berfungsi untuk merubah arah jalur kabel duct secara vertikal, agar dapat turun.
- Spesifikasi Material Outside Riser Duct
- Traytek: Hot Rolled Coil / SPHC 1,8mm - radius 30 cm
- Trayindo: Hot Rolled Coil / SPHC 1,2mm - radius 30 cm

Type	Width	Height
OR duct 5 x 5	50	50
OR duct 10 x 5	100	50
OR duct 15 x 5	150	50
OR duct 20 x 5	200	50
OR duct 25 x 5	250	50
OR duct 30 x 5	300	50
OR duct 40 x 5	400	50
OR duct 50 x 5	500	50
OR duct 60 x 5	600	50
OR duct 80 x 5	800	50
OR duct 100 x 5	1000	50
OR duct 10 x 10	100	100
OR duct 15 x 10	150	100
OR duct 20 x 10	200	100
OR duct 25 x 10	250	100
OR duct 30 x 10	300	100
OR duct 40 x 10	400	100
OR duct 50 x 10	500	100
OR duct 60 x 10	600	100
OR duct 80 x 10	800	100
OR duct 100 x 10	1000	100

Reducer Duct



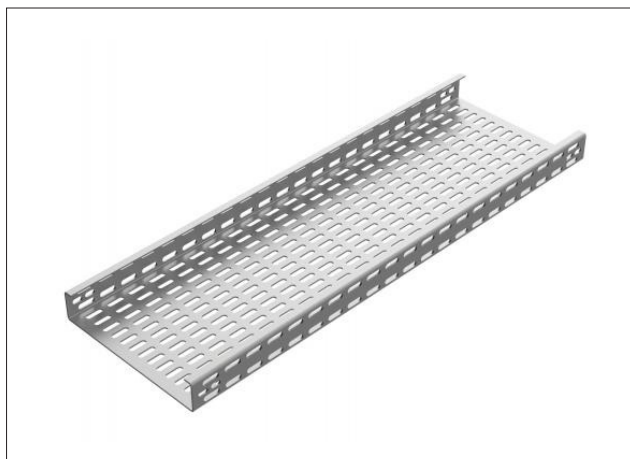
- Sebagai perangkat Cable Support System tambahan, kami menjual berbagai macam aksesoris, mulai dari kabel tray, kabel ladder hingga kabel duct. Dan salah satu aksesoris Kabel duct yang kami sediakan untuk anda adalah reducer duct.
- Reduser duct adalah aksesoris untuk mempertemukan 2 jalur kabel duct dengan lebar kabel duct yang berbeda.

Spesifikasi Reduser Duct

- Berikut adalah spesifikasi material Reduser yang kami sesuaikan dengan kebutuhan anda:
- Traytek : Hot Rolled Coil / SPHC 1,8mm - panjang 60 cm
- Trayindo : Hot Rolled Coil / SPHC 1,2mm - panjang 60 cm

Type	Width	Height
Reduser duct 10 x 5	100	50
Reduser duct 15 x 5	150	50
Reduser duct 20 x 5	200	50
Reduser duct 25 x 5	250	50
Reduser duct 30 x 5	300	50
Reduser duct 40 x 5	400	50
Reduser duct 50 x 5	500	50
Reduser duct 60 x 5	600	50
Reduser duct 80 x 5	800	50
Reduser duct 100 x 5	1000	50
Reduser duct 15 x 10	150	100
Reduser duct 20 x 10	200	100
Reduser duct 25 x 10	250	100
Reduser duct 30 x 10	300	100
Reduser duct 40 x 10	400	100
Reduser duct 50 x 10	500	100
Reduser duct 60 x 10	600	100
Reduser duct 80 x 10	800	100
Reduser duct 100 x 10	1000	100

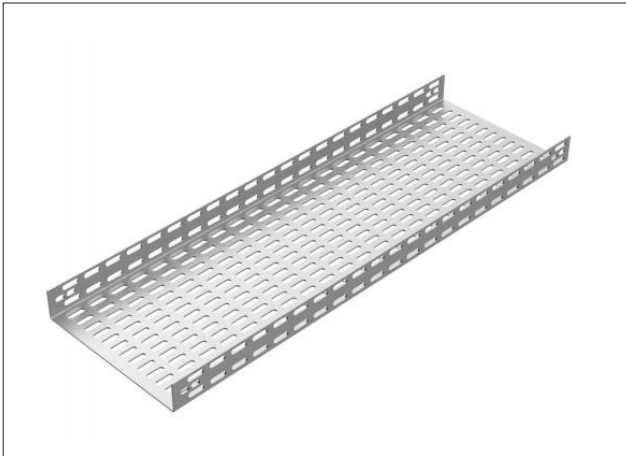
Kabel Tray (Berlubang) Type C



- Kabel tray dengan profil C biasanya disebut juga sebagai kabel tray .
- Berikut adalah spesifikasi material kabel Tray standard :
- Traytek : Hot Rolled Coil / SPHC 1,8mm - panjang 3000 mm
- Trayindo : Hot Rolled Coil / SPHC 1,2mm - panjang 2400 mm

Type	Width	Height
Tray C 5 x 5	50	50
Tray C 10 x 5	100	50
Tray C 15 x 5	150	50
Tray C 20 x 5	200	50
Tray C 25 x 5	250	50
Tray C 30 x 5	300	50
Tray C 40 x 5	400	50
Tray C 50 x 5	500	50
Tray C 60 x 5	600	50
Tray C 80 x 5	800	50
Tray C 100 x 5	1000	50
Tray C 10 x 10	100	100
Tray C 15 x 10	150	100
Tray C 20 x 10	200	100
Tray C 25 x 10	250	100
Tray C 30 x 10	300	100
Tray C 40 x 10	400	100
Tray C 50 x 10	500	100
Tray C 60 x 10	600	100
Tray C 80 x 10	800	100
Tray C 100 x 10	1000	100

Kabel Tray Type U



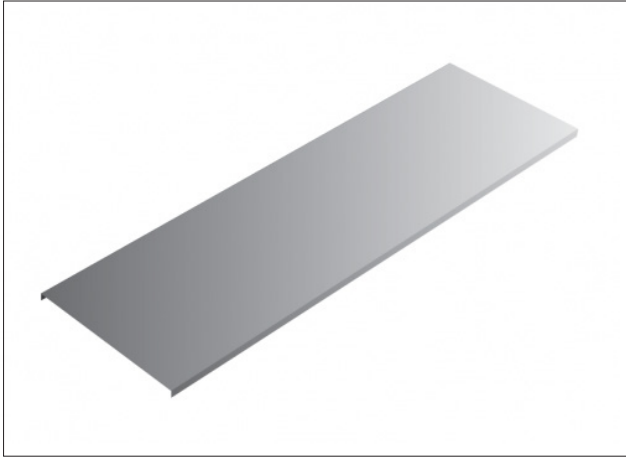
- Kabel Tray dengan profil U atau biasa dikenal dengan kabel tray economy.
- Alat ini berfungsi sebagai rak kabel, yaitu untuk mengatur tata letak kabel agar terlihat rapi.
- Alat ini berfungsi sebagai rak kabel, yaitu untuk mengatur tata letak kabel agar terlihat rapi dan teratur.

Spesifikasi Kabel Tray Tipe U

- Traytek : Hot Rolled Coil / SPHC 1,8mm - panjang 3000 mm
- Trayindo : Hot Rolled Coil / SPHC 1,2mm - panjang 2400 mm

Type	Width	Height
Duct U 5 x 5	50	50
Duct U 10 x 5	100	50
Duct U 15 x 5	150	50
Duct U 20 x 5	200	50
Duct U 25 x 5	250	50
Duct U 30 x 5	300	50
Duct U 40 x 5	400	50
Duct U 50 x 5	500	50
Duct U 60 x 5	600	50
Duct U 80 x 5	800	50
Duct U 100 x 5	1000	50
Duct U 10 x 10	100	100
Duct U 15 x 10	150	100
Duct U 20 x 10	200	100
Duct U 25 x 10	250	100
Duct U 30 x 10	300	100
Duct U 40 x 10	400	100
Duct U 50 x 10	500	100
Duct U 60 x 10	600	100
Duct U 80 x 10	800	100
Duct U 100 x 10	1000	100

Cover Tray Penutup Rak Kabel Type C dan Type U



- Penggunaan cover pada rangkaian sistem kabel tray Atau Rak Kabel dapat membuat rak kabel menjadi lebih rapi dan aman dari berbagai gangguan yang dapat menyebabkan masalah kepada rangkaian kabel di dalam sistem kabel tray.

Spesifikasi Cover Tray:

- Traytek : Hot Rolled Coil / SPHC 1,8mm - panjang 3000 mm
- Trayindo : Hot Rolled Coil / SPHC 1,2mm - panjang 2400 mm

Type	Width	Height
Cover 5 cm	50	10
Cover 10 cm	100	10
Cover 15 cm	150	10
Cover 20 cm	200	10
Cover 25 cm	250	10
Cover 30 cm	300	10
Cover 40 cm	400	10
Cover 50 cm	500	10
Cover 60 cm	600	10
Cover 80 cm	800	10
Cover 100 cm	1000	10

Elbow Tray



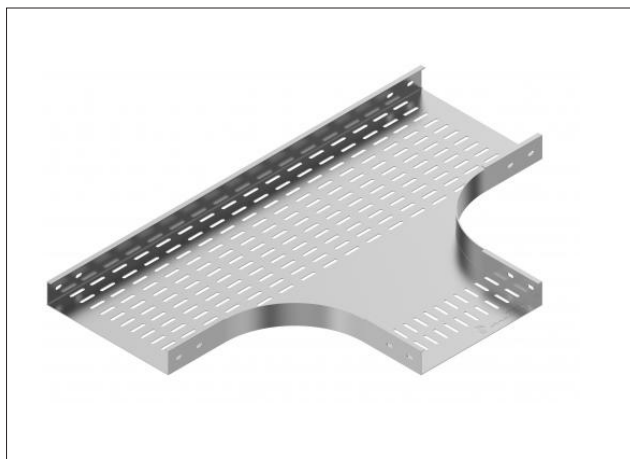
- Sebagai salah satu perangkat Kabel rak yang tidak dapat dipisahkan dari kabel tray, kami menyediakan Elbow tray yang berfungsi untuk merubah arah jalur kabel tray secara horizontal, belok ke kiri atau belok ke kanan.

Spesifikasi Material

- Traytek : Hot Rolled Coil / SPHC 1,8mm - radius 30 cm
- Trayindo : Hot Rolled Coil / SPHC 1,2mm - radius 30 cm

Type	Width	Height
Elbow tray 5 x 5	50	50
Elbow tray 10 x 5	100	50
Elbow tray 15 x 5	150	50
Elbow tray 20 x 5	200	50
Elbow tray 25 x 5	250	50
Elbow tray 30 x 5	300	50
Elbow tray 40 x 5	400	50
Elbow tray 50 x 5	500	50
Elbow tray 60 x 5	600	50
Elbow tray 80 x 5	800	50
Elbow tray 100 x 5	1000	50
Elbow tray 10 x 10	100	100
Elbow tray 15 x 10	150	100
Elbow tray 20 x 10	200	100
Elbow tray 25 x 10	250	100
Elbow tray 30 x 10	300	100
Elbow tray 40 x 10	400	100
Elbow tray 50 x 10	500	100
Elbow tray 60 x 10	600	100
Elbow tray 80 x 10	800	100
Elbow tray 100 x 10	1000	100

Tee Tray



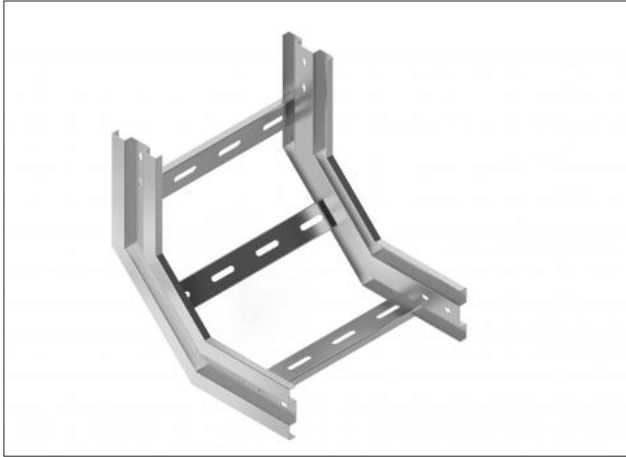
- Tee tray adalah aksesoris untuk mempertemukan 3 cabang jalur kabel tray.

Spesifikasi material:

- Traytek : Hot Rolled Coil / SPHC 1,8mm - radius 30 cm
- Trayindo : Hot Rolled Coil / SPHC 1,2mm - radius 30 cm

Type	Width	Height
Tee tray 5 x 5	50	50
Tee tray 10 x 5	100	50
Tee tray 15 x 5	150	50
Tee tray 20 x 5	200	50
Tee tray 25 x 5	250	50
Tee tray 30 x 5	300	50
Tee tray 40 x 5	400	50
Tee tray 50 x 5	500	50
Tee tray 60 x 5	600	50
Tee tray 80 x 5	800	50
Tee tray 100 x 5	1000	50
Tee tray 10 x 10	100	100
Tee tray 15 x 10	150	100
Tee tray 20 x 10	200	100
Tee tray 25 x 10	250	100
Tee tray 30 x 10	300	100
Tee tray 40 x 10	400	100
Tee tray 50 x 10	500	100
Tee tray 60 x 10	600	100
Tee tray 80 x 10	800	100
Tee tray 100 x 10	1000	100

IR / Inside Riser ladder



- IR / Inside Riser ladder berfungsi untuk merubah arah jalur kabel ladder secara vertikal, untuk naik.

Spesifikasi material:

- Traytek: Hot Rolled Coil / SPHC 1,8mm - radius 30 cm
- Trayindo: Hot Rolled Coil / SPHC 1,2mm - radius 30 cm

Type	Width	Height
IR SLW 10 x 10	100	100
IR SLW 15 x 10	150	100
IR SLW 20 x 10	200	100
IR SLW 30 x 10	300	100
IR SLW 40 x 10	400	100
IR SLW 50 x 10	500	100
IR SLW 60 x 10	600	100
IR SLW 80 x 10	800	100
IR SLW 100 x 10	1000	100
IR SLU 10 x 5	100	50
IR SLU 15 x 5	150	50
IR SLU 20 x 5	200	50
IR SLU 30 x 5	300	50
IR SLU 40 x 5	400	50
IR SLU 50 x 5	500	50
IR SLU 60 x 5	600	50
IR SLU 80 x 5	800	50
IR SLU 100 x 5	1000	50
IR SLU 10 x 10	100	100
IR SLU 15 x 10	150	100
IR SLU 20 x 10	200	100
IR SLU 30 x 10	300	100
IR SLU 40 x 10	400	100
IR SLU 50 x 10	500	100
IR SLU 60 x 10	600	100
IR SLU 80 x 10	800	100
IR SLU 100 x 10	1000	100

OR / Outside Riser ladder



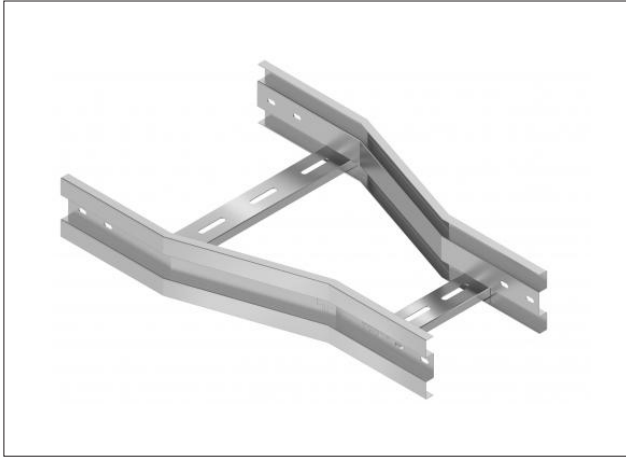
- OR / Outside Riser ladder berfungsi untuk merubah arah jalur kabel ladder secara vertikal, untuk turun.

Spesifikasi material:

- Traytek: Hot Rolled Coil / SPHC 1,8mm - radius 30 cm
- Trayindo: Hot Rolled Coil / SPHC 1,2mm - radius 30 cm

Type	Width	Height
OR SLW 10 x 10	100	100
OR SLW 15 x 10	150	100
OR SLW 20 x 10	200	100
OR SLW 30 x 10	300	100
OR SLW 40 x 10	400	100
OR SLW 50 x 10	500	100
OR SLW 60 x 10	600	100
OR SLW 80 x 10	800	100
OR SLW 100 x 10	1000	100
OR SLU 10 x 5	100	50
OR SLU 15 x 5	150	50
OR SLU 20 x 5	200	50
OR SLU 30 x 5	300	50
OR SLU 40 x 5	400	50
OR SLU 50 x 5	500	50
OR SLU 60 x 5	600	50
OR SLU 80 x 5	800	50
OR SLU 100 x 5	1000	50
OR SLU 10 x 10	100	100
OR SLU 15 x 10	150	100
OR SLU 20 x 10	200	100
OR SLU 30 x 10	300	100
OR SLU 40 x 10	400	100
OR SLU 50 x 10	500	100
OR SLU 60 x 10	600	100
OR SLU 80 x 10	800	100
OR SLU 100 x 10	1000	100

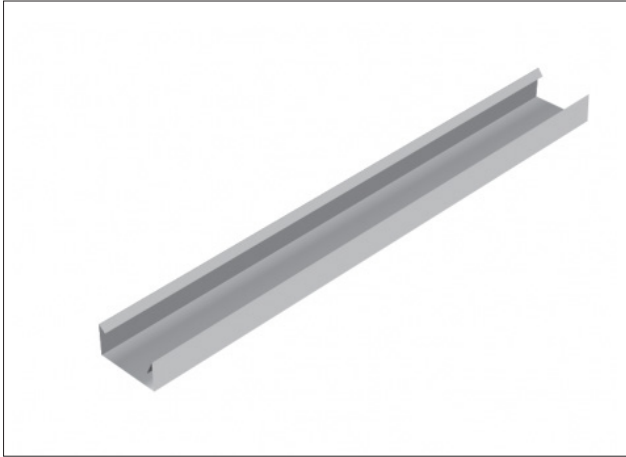
Reduser ladder



- Reduser ladder adalah aksesoris untuk mempertemukan 2 jalur kabel ladder dengan lebar kabel ladder yang berbeda.
- Spesifikasi material:
 - Traytek : Hot Rolled Coil / SPHC 1,8mm - panjang 60 cm
 - Trayindo : Hot Rolled Coil / SPHC 1,2mm - panjang 60 cm

Type	Width	Height
Reduser SLW 15 x 10	150	100
Reduser SLW 20 x 10	200	100
Reduser SLW 30 x 10	300	100
Reduser SLW 40 x 10	400	100
Reduser SLW 50 x 10	500	100
Reduser SLW 60 x 10	600	100
Reduser SLW 80 x 10	800	100
Reduser SLW 100 x 10	1000	100
Reduser SLU 15 x 5	150	50
Reduser SLU 20 x 5	200	50
Reduser SLU 30 x 5	300	50
Reduser SLU 40 x 5	400	50
Reduser SLU 50 x 5	500	50
Reduser SLU 60 x 5	600	50
Reduser SLU 80 x 5	800	50
Reduser SLU 100 x 5	1000	50
Reduser SLU 15 x 10	150	100
Reduser SLU 20 x 10	200	100
Reduser SLU 30 x 10	300	100
Reduser SLU 40 x 10	400	100
Reduser SLU 50 x 10	500	100
Reduser SLU 60 x 10	600	100
Reduser SLU 80 x 10	800	100
Reduser SLU 100 x 10	1000	100

OR / Outside Riser ladder



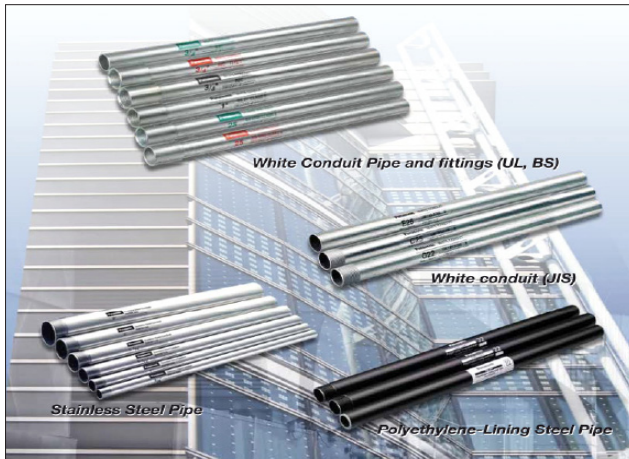
- Raceway merupakan alat untuk lajur kabel tray/ rel kabel tray yang fungsinya adalah mencegah agar tidak terjadi pergeseran sehingga aman dari berbagai gangguan yang membahayakan. Terdapat 2 buah ukuran raceway yaitu 3x4 dan 4x4, keduanya digunakan bersama spring nut standar.

Spesifikasi material

- Traytek: Hot Rolled Coil / SPHC 1,8mm - panjang 3000 mm

Type	Width	Height
Raceway 3 x 4	30	40
Raceway 3 x 4	40	40

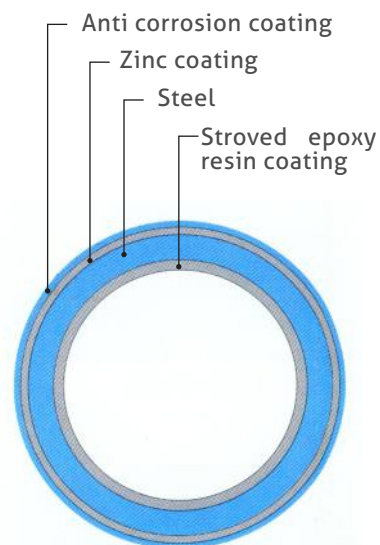
JIS White Conduit



KEUNGGULAN :

- Mudah dan akurat bila dibending
Panasonic White Conduit terbuat dari steel berkualitas tinggi yang diproses dengan induction welding frekwensi tinggi sehingga tidak retak dan patah pada saat dibending.
- Mudah untuk memasukkan dan mengeluarkan kabel
Dengan High grade stoved Epoxy resin coating pada lapisan dalam conduit membuat installer mudah untuk memasukkan dan mengeluarkan kabel dari Conduit .
- Mudah dalam penyambungan dan cepat untuk pemasangan
Pemotongan drat dengan mesin otomatis yang sangat presisi memudahkan dalam penyambungan dan cepat dalam pemasangan.
- Tahan Karat
Dengan zinc coating murni pada bagian luarnya serta stove epoxy resin pada bagian dalamnya melindungi White Conduit dari karat , bahkan tahan karat dari bahan kimia berat dan air laut .
- Kualitas yang seragam
White Conduit diproses dalam satu proses otomatis yang terus menerus dari proses awal hingga akhir yang membuat semua white conduit seragam dalam kualitas tinggi.

CROSS-SECTIONAL VIEW OF Panasonic WHITE CONDUIT



STANDART
Panasonic WHITE CONDUIT
tersedia dalam 4 standar yaitu :

- UL/ ANSI (EMT, IMC and RSC)
- BS (BS31-1940 AND BS4568-1970)
- TIS
- JIS (Plain, Thin Wall and Thick Wall)



Plain Conduit (Threadless)



Item No.	Size	Outside Diameter (mm)	Thickness (mm)	Length (mm)	Nominal Weight (Kg)	Primary Bundle	Master Bundle
DW 819T	E 19	19.1	1.20	3.660	1.94	10	400
DW 825T	E 25	25.4	1.20		2.62	10	250
DW 831T	E 31	31.8	1.40		3.84	7	175
DW 839T	E 39	38.1	1.40		4.64	5	125
DW 851T	E 51	50.8	1.40		6.24	3	75
DW 863T	E 63	63.5	1.60		8.94	1	50
DW 875T	E 75	76.2	1.60		12.09	1	40

Set screw (threadless) couplings



- Sheet steel finished with zinc plating
- Digunakan untuk menyambung antara pipa Conduit, ditengah Couplings ini terdapat "Centre Stop" untuk posisi yang tepat pada penyambungan. Pada Coupling terdapat "Screw" yang ujungnya akan lepas apabila dikunci sampai pada kekencangan yang ditentukan.

Cat.No.	Size (mm)	D	L	No.Of Screw	Weight (kg)
DS0119	E19	19.6	57	2	0.07
DS0125	E25	25.9	67	2	0.10
DS0131	E31	32.3	76	4	0.14
DS0139	E39	38.6	86	4	0.24
DS0151	E51	51.3	95	4	0.33
DS0163	E63	64.2	105	4	0.45
DS0175	E75	76.2	114	4	0.57

Thick wall Conduit (Threaded)



Item No.	Size	Outside Diameter (mm)	Thickness (mm)	Length (mm)	Weight (Kg)	Primary Bundle	Master Bundle
DW 216T	G 16	21.0	2.30	3.660	3.88	10	250
DW 222T	G 22	26.5	2.30		5.02	10	175
DW 228T	G 28	33.3	2.50		6.95	7	125
DW 236T	G 36	41.9	2.50		8.89	5	75
DW 242T	G 42	47.8	2.50		10.22	3	75
DW 254T	G 54	59.6	2.80		14.35	1	50
DW 270T	G 70	75.2	2.80		18.30	1	40
DW 282T	G 82	87.9	2.80		21.51	1	30
DW 392T	G 92	100.7	3.50		30.71	1	20
DW 394T	G 104	113.4	3.50		34.72	1	20

Set screw (threadless) Connectors



- Sheet steel finished with zinc plating with lock nut .
- Digunakan untuk menyambung Conduit dengan box, dilengkapi dengan hubungan tanah, lock nut dan "Screw"

Cat.No.	Size (mm)	D	L	No.Of Screw	Weight (kg)
DS02192	E19	19.6	12	20	0.05
DS02252	E25	25.9	13	20	0.07
DS02312	E31	32.3	14	23	0.09
DS02392	E39	38.6	16	25	0.13
DS02512	E51	51.3	16	25	0.19
DS02632	E63	64.2	18	30	0.27
DS02752	E75	76.9	20	35	0.35

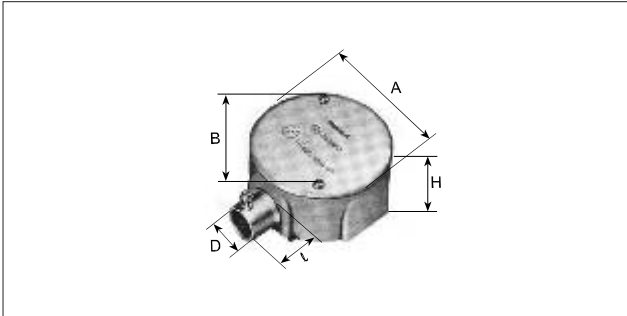
Set screw (threadless) Normal bends



- Sheet steel finished with zinc plating
- Digunakan untuk sambungan antara Conduit ditempat belokan/siku.

Cat. No.	Size (mm)	D	L	I	R	Weight (kg)
DS0319	E19					
DS0325	E25	25.9	170	34	120	0.4
DS0331	E31	32.3	210	49	150	0.6
DS0339	E39	38.6	255	44	180	1.0
DS0351	E51	51.3	330	49	230	1.6
DS0363	E63	64.2	410	55	290	2.0
DS0375	E75	76.9		60	350	3.0

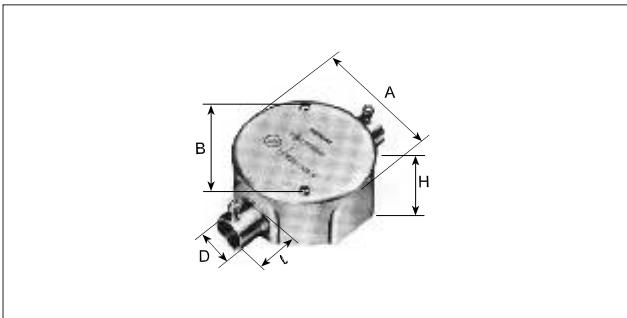
Set screw (threadless) Circular Surface Boxes (One Way)



- Sheet steel finished with zinc plating
- Digunakan untuk ujung/akhir Conduit, pada mounting lighting fixture atau kabel.

Cat.No.	Size (mm)	H	A	B	I	D	Weight (kg)
DS65191	E19	40.5	89.5	73	20	23	0.38
DS65251	E25	40.5	89.5	73	22	29.5	0.39
DS65311	E31	45	100	84	23	36	0.49
DS65391	E39						
DS65511	E51						

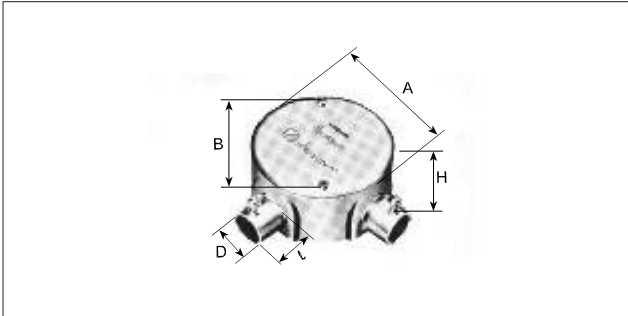
Set screw (threadless) Circular Surface Boxes (two way ; through)



- Sheet steel finished with zinc plating
- Digunakan untuk penyambungan Conduit model lurus (through) pada mounting lighting fixture/ sambungan kabel.

Cat.No.	Size (mm)	H	A	B	I	D	Weight (kg)
DS65191	E19	40.5	89.5	73	20	23	0.41
DS65251	E25	40.5	89.5	73	22	29.5	0.42
DS65311	E31	45	100	84	23	36	0.53
DS65391	E39						
DS65511	E51						

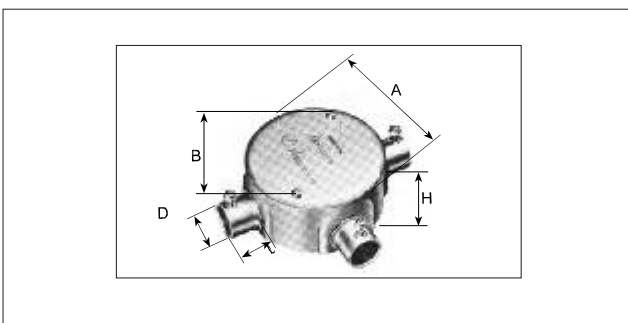
Set screw (threadless) circular surface boxes (one way ; angle)



- Sheet steel finished with zinc plating
- Digunakan untuk penyambungan Conduit model L (siku), pada mounting lighting fixture atau sambungan kabel.

Cat.No.	Size (mm)	H	A	B	I	D	Weight (kg)
DS65191	E19	40.5	89.5	73	20	23	0.48
DS65251	E25	40.5	89.5	73	22	29.5	0.49
DS65311	E31	45	100	84	23	36	0.62
DS65391	E39						
DS65511	E51						

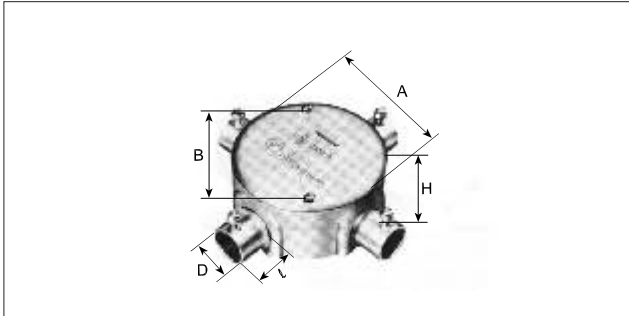
Set screw (threadless) circular surface boxes (three way ; through)



- Sheet steel finished with zinc plating
- Digunakan untuk penyambungan Conduit Model T pada mounting lighting fixture atau sambungan kabel.

Cat.No.	Size (mm)	H	A	B	I	D	Weight (kg)
DS65191	E19	40.5	89.5	73	20	23	0.45
DS65251	E25	40.5	89.5	73	22	29.5	0.46
DS65311	E31	45	100	84	23	36	0.58
DS65391	E39						
DS65511	E51						

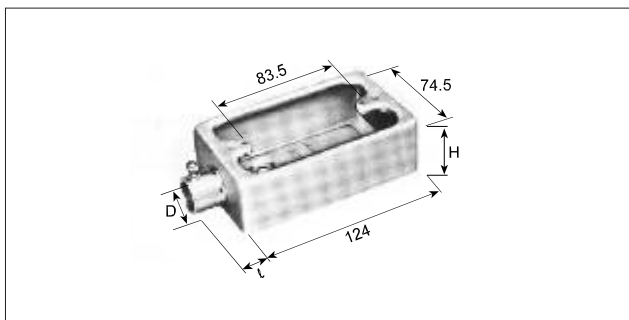
Set screw (threadless) circular surface boxes (four way ; through)



- Sheet steel finished with zinc plating
- Digunakan untuk penyambungan Couduit cabang 4 (model +) pada mounting lighting fixture atau sambungan kabel.

Cat.No.	Size (mm)	H	A	B	I	D	Weight (kg)
DS65191	E19	40.5	89.5	73	20	23	0.48
DS65251	E25	40.5	89.5	73	22	29.5	0.49
DS65311	E31	45	100	84	23	36	0.62
DS65391	E39						
DS65511	E51						

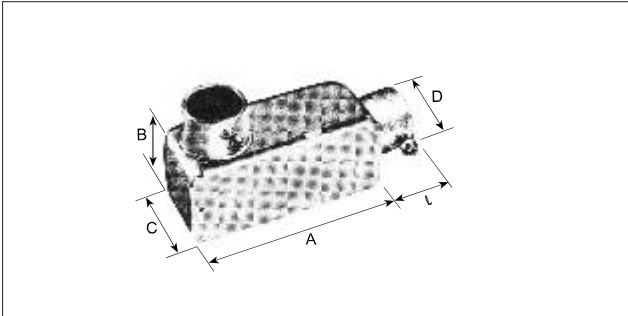
Set screw (threadless) surface switch boxes (one way)



- Sheet steel finished with zinc plating

Cat.No.	Size (mm)	H	A	B	I	D	Weight (kg)
DS71191	E19	40.5	89.5	73	20	23	0.45
DS71251	E25	40.5	89.5	73	22	29.5	0.52
DS71311	E31	45	100	84	23	36	0.63

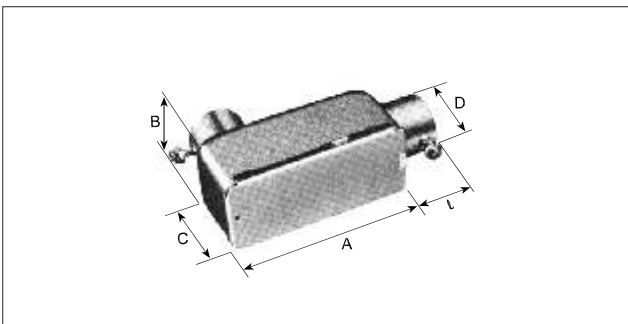
Set screw (threadless) universal L L type



- Sheet steel finished with zinc plating

Cat.No.	Size (mm)	A	B	C	D	I	Weight (kg)
DS62191	E19	90	34	35	23	18	0.24
DS62251	E25	95	41	42	29.5	20	0.31
DS62311	E31	110	45.8	47.5	32.3	20	0.42
DS62391	E39						
DS62511	E51						

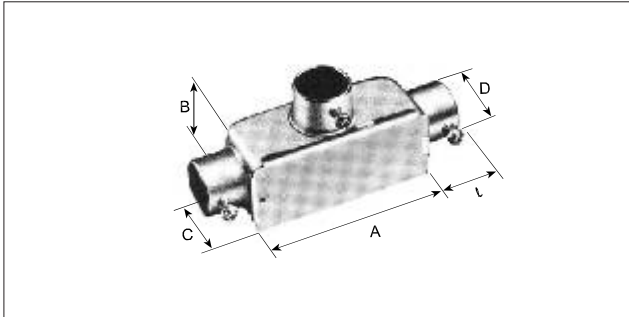
Set screw (threadless) universal L B type



- Sheet steel finished with zinc plating

Cat.No.	Size (mm)	A	B	C	D	I	Weight (kg)
DS63191	E19	90	34	35	23	18	0.24
DS63251	E25	95	41	42	29.5	20	0.31
DS63311	E31	110	45.8	47.5	32.3	20	0.42
DS63391	E39						
DS63511	E51						

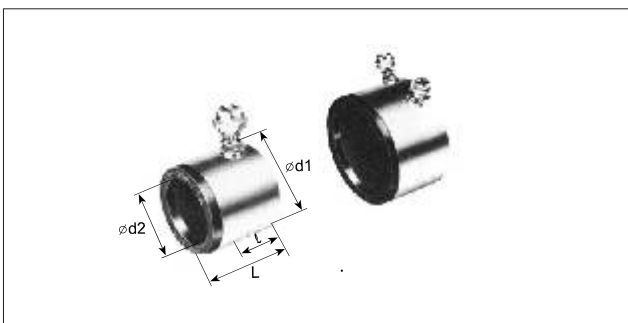
Set screw (threadless) universal T type



- Sheet steel finished with zinc plating

Cat.No.	Size (mm)	A	B	C	D	L	Weight (kg)
DS64191	E19	90	34	35	23	18	0.27
DS64251	E25	95	41	42	29.5	20	0.34
DS64311	E31	110	45.8	47.5	32.3	20	0.46
DS64391	E39						
DS64511	E51						

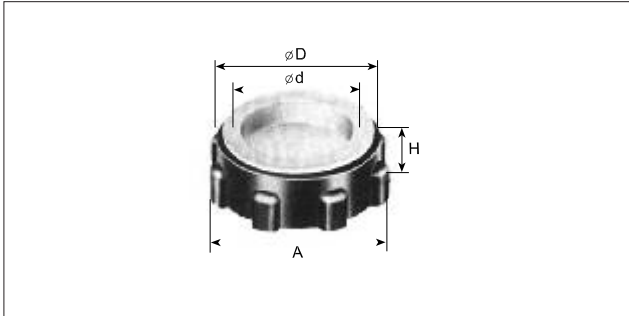
Set screw (threadless) bushing (for conduit ends)



- Sheet steel finished with zinc plating for E31 to E75 , 2 set screw are provide

Cat.No.	Size (mm)	L	l	d1	d2	Weight (kg)
DS5419	E19	23	13.5	19.6	15.6	0.02
DS5425	E25	23	13.5	25.9	21.9	0.03
DS5431	E31	25	14.5	32.3	28.3	0.04
DS5439	E39	35	23.5	38.6	34.6	0.06
DS5451	E51	37	24.5	51.3	47.4	0.09
DS5463	E63	38	27	64.2	60	0.27
DS5475	E75	38	27	76.9	72	0.32

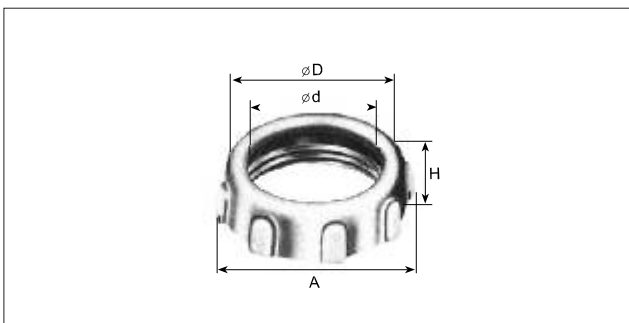
Plastic Bushing (with cap)



- Plastic
- Digunakan pada tiap-tiap ujung Conduit, untuk mencegah kerusakan-kerusakan/luka pada kabel sewaktu kabel ditarik melalui

Cat.No.	Size (mm)	A	H	D	d	Weight (kg)
DS1719	E19	27	9	23	15.7	0.002
DS1725	E25	34	10	30	21.8	0.004
DS1731	E31	41	12	36	28	0.006
DS1739	E39	49	13	43	34.7	0.008
DS1751	E51	64	15	57	47.4	0.016
DS1763	E63	78	17	70	59.2	0.024
DS1775	E75	92	20	93	71.9	0.036

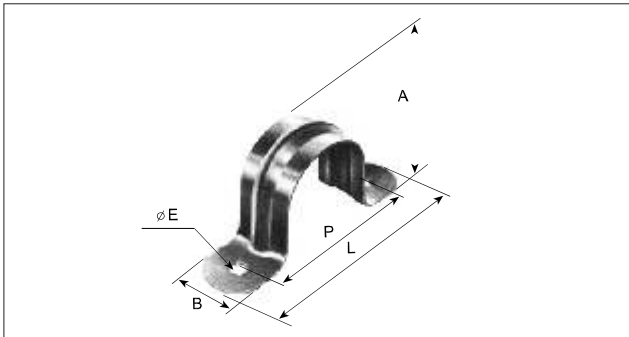
Bushing



- Malleable cast iron with zinc electroplated
- Digunakan pada tiap-tiap ujung Conduit untuk mencegah kerusakan-kerusakan/luka pada kabel padad waktu kabel ditarik melalui Conduit.

Cat.No.	Size (mm)	A	H	D	d	Weight (kg)
DS1419	E19	26.5	9	23	16	0.01
DS1425	E25	33	10	30	22	0.02
DS1431	E31	41	12	36	29	0.03
DS1439	E39	46	13	43	35	0.04
DS1451	E51	60	15	57	48	0.05
DS1463	E63	74	17	70	60	0.10
DS1475	E75	88	20	83	72	0.18

Saddles



- Sheet steel with zinc electroplating
- Digunakan untuk menempatkan Conduit pada bahan bangunan (sebagai klem)

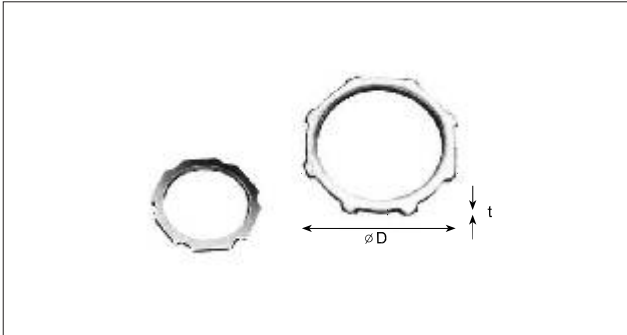
Cat.No.	Size (mm)	A	B	L	P	E	Weight
DS1619	E19	17.6	15	60	40	5	0.009
DS1625	E25	23.9	20	70	50	5	0.014
DS1631	E31	30.3	25	85	60	5.5	0.029
DS1639	E39	36.6	25	95	70	5.5	0.032
DS1651	E51	49.3	25	110	85	5.5	0.055
DS1663	E63	62.0	25	130	105	5.5	0.065
DS1675	E75	74.7	30	150	120	6.5	0.090

Union Couplings



Size (mm)	
G16	
G22	
G28	
G36	
G42	
G54	
G70	
G82	
G92	
G104	

Lock nuts



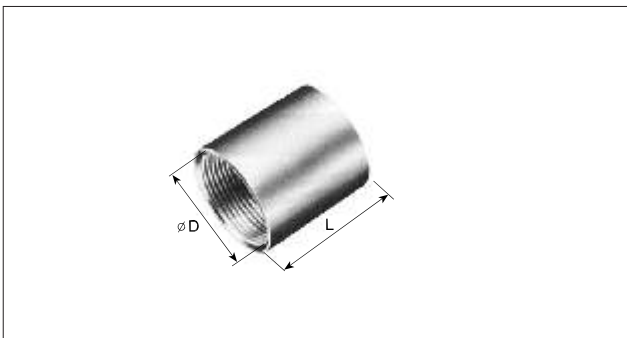
- Sheet steel with zinc electroplating
- Digunakan untuk mengunci sambungan antara Conduit dan Box.

E1 - E39 : HEXAGONAL Type

E51 - E75 : GEAR Type

Cat.No.	Size (mm)	P	E	Weight (kg)
DS5419	E19	24	3.2	0.005
DS5425	E25	31.5	3.2	0.007
DS5431	E31	38	3.6	0.013
DS5439	E39	45	3.6	0.017
DS5451	E51	65	5.0	0.033
DS5463	E63	79	5.0	0.042
DS5475	E75	93	5.0	0.054

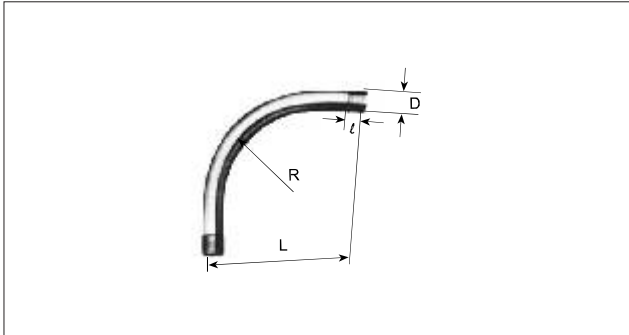
Couplings



- Sheet steel finished with zinc plating

Cat.No.	Size (mm)	D	L	Weight (kg)
DF1116	G16	25	38	0.06
DF1122	G22	31	44	0.09
DF1128	G28	37.5	50	0.14
DF1136	G36	48.5	56	0.24
DF1142	G42	54.5	56	0.34
DF1154	G54	68	64	0.56
DF1170	G70	84	72	0.71
DF1182	G82	97	80	0.92
DF1192	G92	110.5	85	1.60
DF11104	G104	123.5	90	1.70

Elbow Normal Bends



- Sheet steel finished with zinc plating
- Digunakan untuk sambungan antara Conduit ditempat belokan/siku.

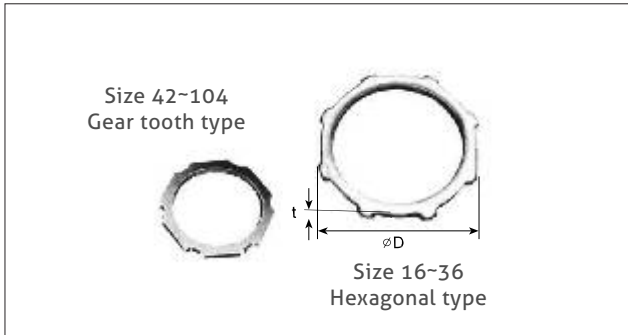
Cat.No.	Size (mm)	D	I	L	R	Weight (kg)
DF1316	G16	21.3	18	150	90	0.24
DF1322	G22	26.5	20	180	110	0.41
DF1328	G28	33.3	23	215	140	0.62
DF1336	G36	41.9	26	250	170	0.95
DF1342	G42	47.8	26	295	210	1.40
DF1354	G54	59.6	30	345	235	2.24
DF1370	G70	75.2	34	425	275	2.83
DF1382	G82	87.9	38	510	310	4.80
DF1392	G92	100.7	39	575	355	8.90
DF13104	G104	113.4	42	645	395	9.80

Setcrew Connectors



Size (mm)	
G16	
G22	
G28	
G36	
G42	
G54	
G70	
G82	
G92	
G104	

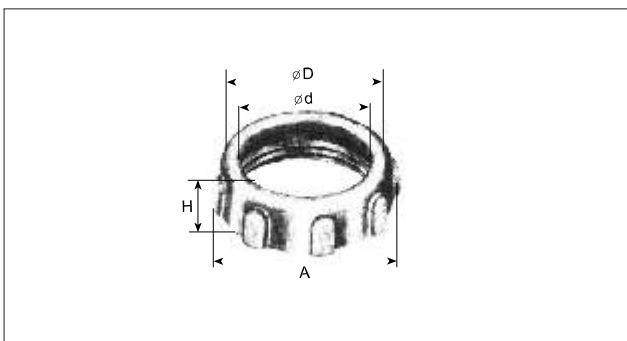
Lock nuts



- Cast iron finished with zinc- electroplating
- 16~82; Sheet steel finished with zinc electroplating

Cat.No.	Size (mm)	D	t	Weight (kg)
DF1216	G16	27	3.6	0.009
DF1222	G22	33	3.6	0.012
DF1228	G28	41	4.5	0.019
DF1236	G36	49	4.5	0.020
DF1242	G42	61	4.5	0.031
DF1254	G54	74	5	0.038
DF1270	G70	93	5	0.061
DF1282	G82	106	5	0.065
DF1292	G92	121	5	0.24
DF12104	G104	135	5	0.26

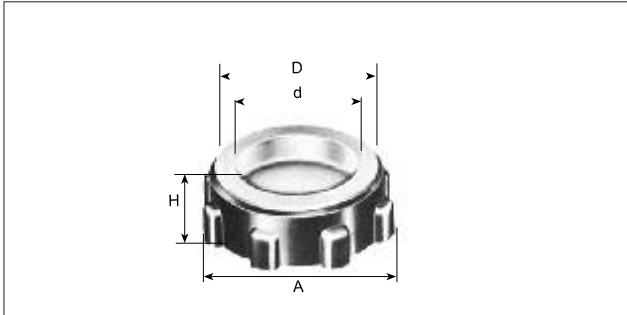
Bushings



- Sheet steel finished with zinc plating

Cat.No.	Size (mm)	d	A	H	D	Weight (kg)
DF1416	G16	16	26	9	24	0.011
DF1422	G22	22	33	10	30	0.017
DF1428	G28	28	40	12	37	0.028
DF1436	G36	36	49	13	46	0.040
DF1442	G42	42	55	15	52	0.052
DF1454	G54	53	70	16	65	0.088
DF1470	G70	68	86	18	81	0.140
DF1482	G82	81	100	20	95	0.210
DF1492	G92	93	116	22	110	0.390
DF14104	G104	105	131	24	125	0.490

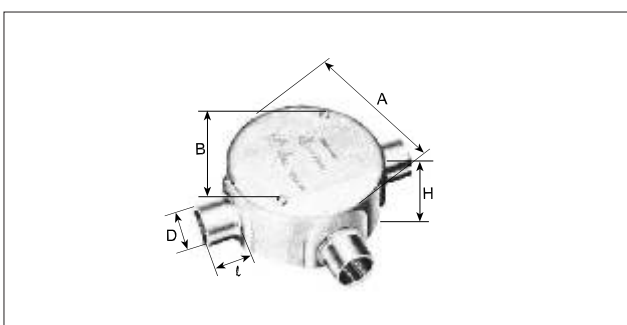
Plastic bushing with caps



- Plastic

Cat.No.	Size (mm)	d	A	H	D	Weight (kg)
DF1716	G16	16	26	9	24	0.011
DF1722	G22	22	33	10	30	0.017
DF1728	G28	28	40	12	37	0.028
DF1736	G36	36	49	13	46	0.040
DF1742	G42	42	55	15	52	0.052
DF1754	G54	53	70	16	65	0.088
DF1770	G70	68	86	18	81	0.140
DF1782	G82	81	100	20	95	0.210
DF1792	G92	93	116	22	110	0.390
DF17104	G104	105	131	24	125	0.490

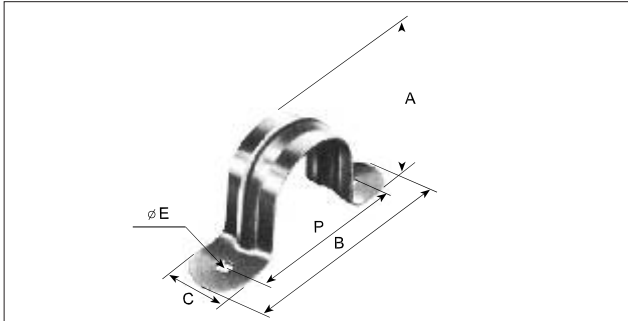
Circular surface boxes (three way)



- Sheet steel finished with zinc plating

Cat.No.	Size (mm)	A	B	C	P	E	Weight (kg)
DF27161	G16	40.5	89.5	73	20	25	0.45
DF27221	G22	40.5	89.5	73	22	31	0.46
DF27281	G28	45	100	84	23	37.5	0.61
DF27361	G36						
DF27421	G42						
DF27541	G54						

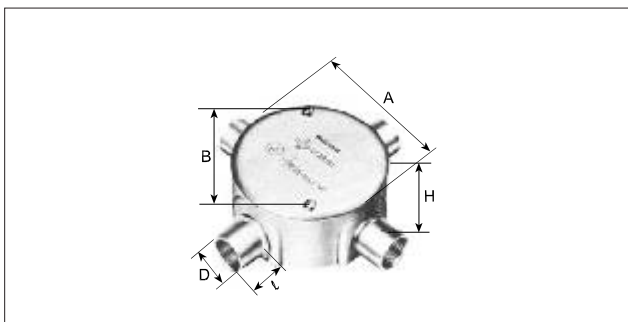
Saddles Clamp



- Sheet steel finished with zinc plating

Cat.No.	Size (mm)	A	B	C	P	E	Weight (kg)
DF1616	G16	19.5	65	20	45	5	0.012
DF1622	G22	25	75	20	55	5	0.014
DF1628	G28	31.8	90	25	65	5.5	0.030
DF1636	G36	40.4	100	25	75	5.5	0.036
DF1642	G42	46.3	110	25	85	5.5	0.050
DF1654	G54	58.1	125	25	100	5.5	0.065
DF1670	G70	73.7	150	30	120	6.5	0.090
DF1682	G82	86.4	165	35	135	6.5	0.120
DF1692	G92	100.1	180	35	150	6.5	0.1500
DF16104	G104	112.8	200	35	170	6.5	0.160

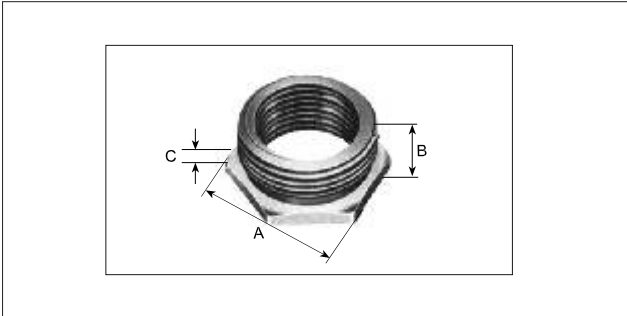
Circular surface boxes (four way)



- Sheet steel finished with zinc plating

Cat.No.	Size (mm)	H	A	B	I	R	Weight (kg)
DF28161	G16	40.5	89.5	73	20	25	0.48
DF28221	G22	40.5	89.5	73	22	31	0.49
DF28281	G28	45	100	84	23	37.5	0.67
DF28361	G36						
DF28421	G42						
DF28541	G54						

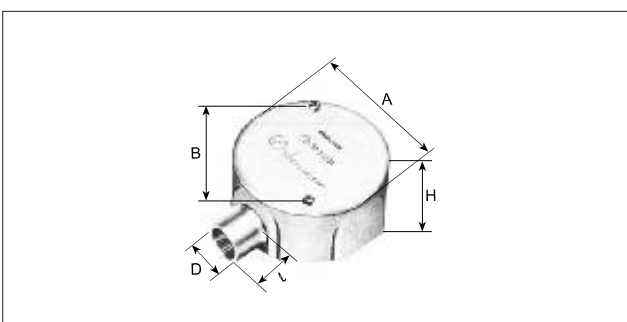
Reducers



- Cast iron with zinc-electroplating

Cat.No.	Size (mm)	A	B	C	Weight (kg)
DF5222	22-16	28	15	4	0.035
DF5228	28-22	35	17.5	4	0.040
DF5236	36-28	43.5	20	4.5	0.080
DF5242	42-36	52.5	21.5	5	0.100
DF5254	54-42				
DF5270	70-54				
DF5282	82-70				
DF5292	92-82				

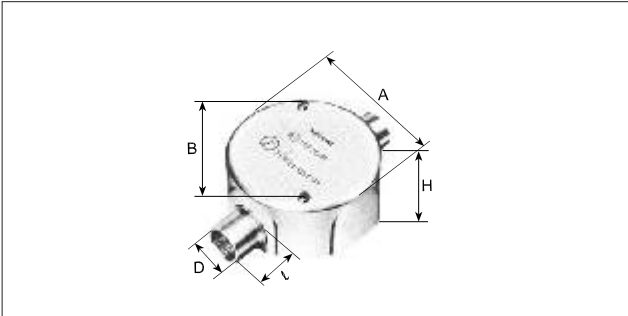
Circular surface boxes (one way)



- Sheet steel finished with zinc plating

Cat.No.	Size (mm)	A	B	C	P	E	Weight (kg)
DF1316	G16	40.5	89.5	73	20	25	0.38
DF1322	G22	40.5	89.5	73	22	31	0.39
DF1328	G28	45	100	84	23	37.5	0.50
DF1336	G36						
DF1342	G42						
DF1354	G54						

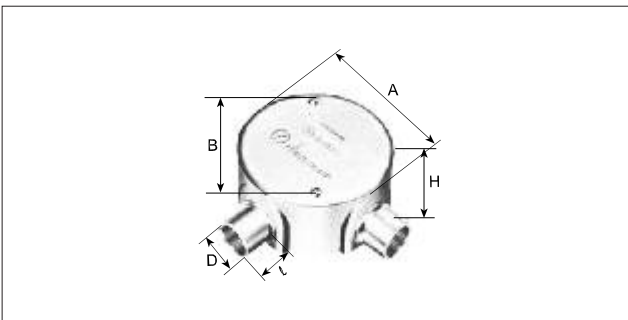
Circular surface boxes (one way ; through)



- Sheet steel finished with zinc plating

Cat.No.	Size (mm)	A	B	C	P	E	Weight (kg)
DF26161	G16	40.5	89.5	73	20	25	0.41
DF26221	G22	40.5	89.5	73	22	31	0.42
DF26281	G28	45	100	84	23	37.5	0.56
DF26361	G36						
DF26421	G42						
DF26541	G54						

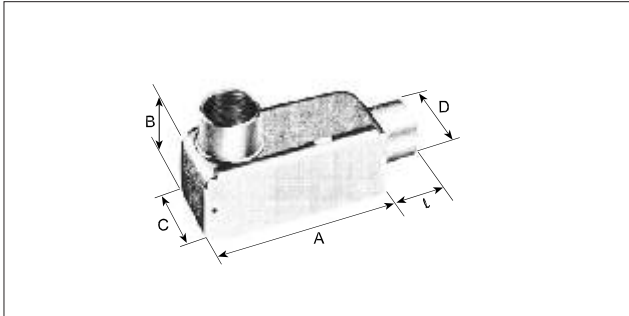
Circular surface boxes (two way : angle)



- Sheet steel finished with zinc plating

Cat.No.	Size (mm)	A	B	C	P	E	Weight (kg)
DF29161	G16	40.5	89.5	73	20	25	0.41
DF29221	G22	40.5	89.5	73	22	31	0.42
DF29281	G28	45	100	84	23	37.5	0.56
DF29361	G36						
DF29421	G42						
DF29541	G54						

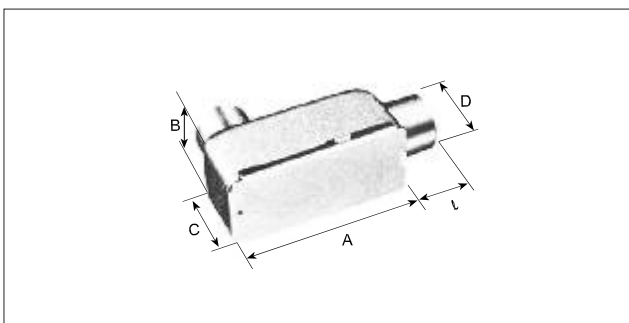
Universal LL type



- Sheet steel finished with zinc plating

Cat.No.	Size (mm)	A	B	C	D	l	Weight (kg)
DF22161	G16	90	33.8	35	25	20	0.25
DF22221	G22	95	40.8	42	31	22	0.34
DF22281	G28	110	45.8	47.5	37.5	22	0.42
DF22361	G36						
DF22421	G42						
DF22541	G54						

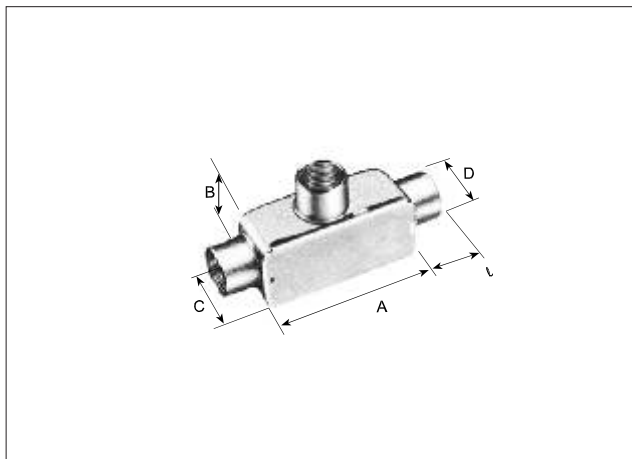
Universal LB type



- Sheet steel finished with zinc plating

Cat.No.	Size (mm)	A	B	C	D	l	Weight (kg)
DF23161	G16	90	33.8	35	25	20	0.25
DF23221	G22	95	40.8	42	31	22	0.34
DF23281	G28	110	45.8	47.5	37.5	22	0.42
DF23361	G36						
DF23421	G42						
DF23541	G54						

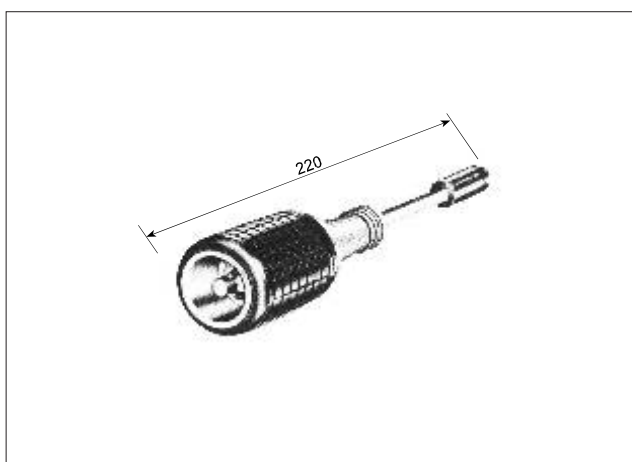
Universal T type



- Sheet steel finished with zinc plating

Cat.No.	Size (mm)	A	B	C	D	I	Weight (kg)
DF24161	G16	90	33.8	35	25	20	0.28
DF24221	G22	95	40.8	42	31	22	0.39
DF24281	G28	110	45.8	47.5	37.5	22	0.45
DF24361	G36						
DF24421	G42						
DF24541	G54						

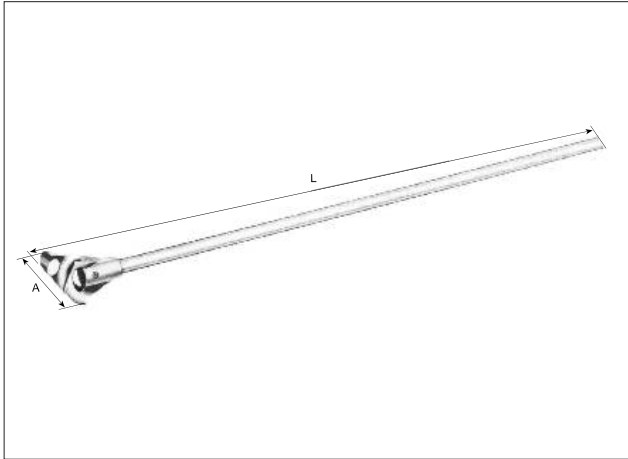
Box screwdriver (with reamer)



- Used for chamfering the inner surface of conduit (19,25).
- Digunakan untuk menghaluskan permukaan luar dan dalam ujung Conduit yang dipotong.

Cat.No.	Weight (kg)
DS0010	0.2

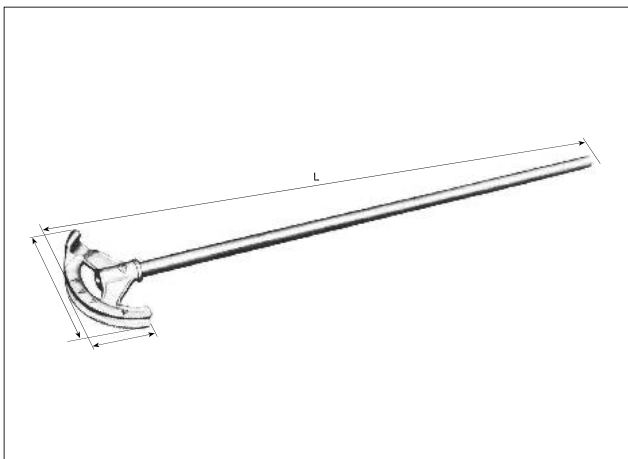
Hi-hickey



- It is suitable for JIS E19, E25, E31 and E39. Strong aluminium alloy.
- Digunakan untuk meluruskan atau mengatur bengkokan/lengkungan Conduit E19-E39.

Cat.No.	Size (mm)	L	A	Weight
DS0029	E19	1115	100	1.6
DS0030	E25	1122	119	2.5
DS0031	E31	1274	160	3.7

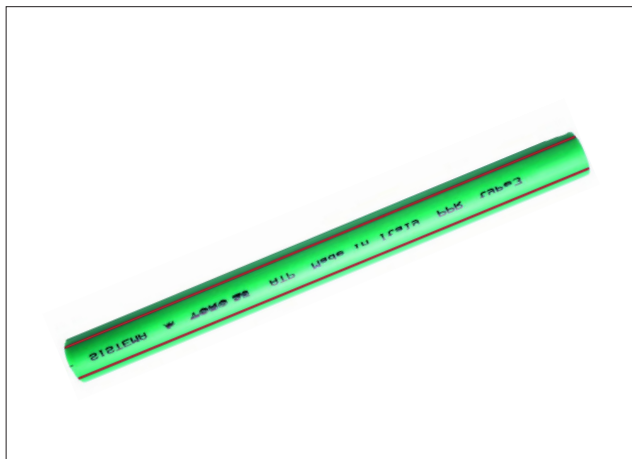
Hi-bender



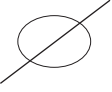
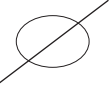
- ISE19 and E31 conduit can be bent without deformation.
- Aluminium Alloy.
- Digunakan untuk membengkokkan Conduit E19 dan E25 hingga mencapai radius 90 .

Cat.No.	Size (mm)	L	A	B	Weight
DS0019	E19	1,245	220	124	2.0
DS0025	E25	1,270	290	165	3.0
DS0031	E31				

Ppr Pipe " TORO 25 "



- Ppr Pipe " Toro 25 " Made In Italy

 DIAMETER (ID)	PN - 10 (TUBO - 10)	PN - 16 (TUBO - 16)	PN - 16 (TUBO - 20)	 DIAMETER (OD)
1/2"				20 mm
3/4"				25 mm
1"				32 mm
1 1/4"				40 mm
1 1/2"				50 mm
2"				63 mm
2 1/2"				75 mm
3"				90 mm
4"				110 mm
5"				125 mm
6"				160 mm

FITTING " TORO 25 " MADE IN ITALY

DIMENSION	
20 mm	1/2"
25 mm	3/4"
32 mm	1"
40 mm	1 1/4"
50 mm	1 1/2"
63 mm	2"
75 mm	2 1/2"
90 mm	3"
110 mm	4"
125 mm	5"
160 mm	6"



ELBOW 45° (CUQ)
PN - 25



ELBOW 90° (CUV)
PN - 25



EQUAL TEE (TEN)
PN - 25



BALL VALVE (VSF)
PN - 25

DIMENSION	
20 mm	1/2"
25 mm	3/4"
32 mm	1"
40 mm	1 1/4"
50 mm	1 1/2"
63 mm	2"
75 mm	2 1/2"
90 mm	3"
110 mm	4"
125 mm	5"
160 mm	6"



SOCKET (MAN)
PN - 25



END CAP (TAC)
PN - 25



STUB END (CTL)
PN - 25



UNION (UNI)
PN - 25

DIMENSION	
20 X 1/2"	
25 X 1/2"	
25 X 3/4"	
32 X 1"	
40 X 1 1/4"	
50 X 1 1/2"	
63 X 2"	
75 X 2 1/2"	
90 X 3"	

THREADED ADAPTOR PN - 25



FEMALE (RFF)



MALE (RFM)

THREADED ELBOW PN - 25



FEMALE (CFF)



MALE (CFM)

REDUSER SOCKET (RDZ) PN - 25



REDUSER TEE (TER) PN - 25



Dimension (mm)	Dimension (inch)
25 x 20 mm	3/4 x 1/2"
32 x 20 mm	1 x 1/2"
32 x 25 mm	1 x 3/4"
40 x 20 mm	1 1/4 x 1/2"
40 x 25 mm	1 1/4 x 3/4"
40 x 32 mm	1 1/4 x 1"
50 x 20 mm	1 1/2 x 1/2"
50 x 25 mm	1 1/2 x 3/4"
50 x 32 mm	1 1/2 x 1"
50 x 40 mm	1 1/2 x 1 1/4"
63 x 20 mm	2 x 1/2"
63 x 25 mm	2 x 3/4"
63 x 32 mm	2 x 1"
63 x 40 mm	2 x 1 1/4"
63 x 50 mm	2 x 1 1/2"
75 x 40 mm	2 1/2 x 1 1/4"
75 x 50 mm	2 1/2 x 1 1/2"
75 x 63 mm	2 1/2 x 2"
90 x 50 mm	3 x 1 1/2"
90 x 63 mm	3 x 2"
90 x 75 mm	3 x 2 1/2"
110 x 63 mm	4 x 2"
110x 75 mm	4 x 2 1/2"
110 x 90 mm	4 x 3"
125 x 110 mm	5 x 4"
160 x 110 mm	6 x 4"
160 x 125 mm	6 x 5"

Dimension (mm)	Dimension (inch)
25 x 20 mm	3/4 x 1/2"
32 x 20 mm	1 x 1/2"
32 x 25 mm	1 x 3/4"
40 x 20 mm	1 1/4 x 1/2"
40 x 25 mm	1 1/4 x 3/4"
40 x 32 mm	1 1/4 x 1"
50 x 20 mm	1 1/2 x 1/2"
50 x 25 mm	1 1/2 x 3/4"
50 x 32 mm	1 1/2 x 1"
50 x 40 mm	1 1/2 x 1 1/4"
63 x 20 mm	2 x 1/2"
63 x 25 mm	2 x 3/4"
63 x 32 mm	2 x 1"
63 x 40 mm	2 x 1 1/4"
63 x 50 mm	2 x 1 1/2"
75 x 40 mm	2 1/2 x 1 1/4"
75 x 50 mm	2 1/2 x 1 1/2"
75 x 63 mm	2 1/2 x 2"
90 x 50 mm	3 x 1 1/2"
90 x 63 mm	3 x 2"
90 x 75 mm	3 x 2 1/2"
110 x 63 mm	4 x 2"
110x 75 mm	4 x 2 1/2"
110 x 90 mm	4 x 3"
125 x 110 mm	5 x 4"
160 x 110 mm	6 x 4"
160 x 125 mm	6 x 5"

Pipe PE-AL-PE

PAP

APPLICATIONS
 Industrial and residential systems for hot and cold water
 Pipeline systems for conveying potable water
 Heating pipelines for under floor heating, wall and roof heating, snow melting in parking lots and airport runways
 Pipelines for air conditioners
 Pipelines for solar heating systems
 Pipelines for gas and coal gas
 Pipelines for oxygen transportation in hospital
 Pipelines for oil and cooling fluid transportation
 Pipelines for electric wire and cabling
 Pipelines for compressed air
 Pipelines for fluid transportation in beverage factories
 Pipelines for irrigation engineering in agriculture and gardens

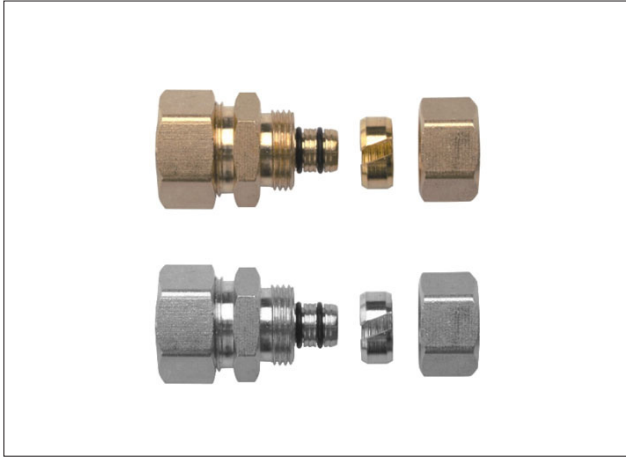
Technical index	
Thermal conductivity	0.45W/(m.k)
Coefficient of thermal expansion	0.025mm \M.K)
Bend radius	≥50 (D means outside diameter)
Working temperature (°C)	at - 40°C - 95°C
Coefficient of roughness	0.0004mm
Oxygen-permeability	o
Other	static-free,longevity

- Corrosion,high-temperature, and pressure resistance
- Smooth surface make more efficiency & long life
- Hiht bending flexibility
- Easy installation
- Lower transportation fees and instalation costs
- Anti-bacteria & oxidation resistance





Type & Specification for polyethylene-Aluminium-polyethylene				
	ITEM NO.	M/Cartron	COLOR	APPLICATION
Hot Water Pipe 	1216-R	100	Orange	Supply pipe for gas liquid at 95°C and bellow the instant temp is 110°C
	1620-R	100		
	2025-R	100		
	2632-R	100		
	3240-R	4		
	4150-R	4		
	5163-R	4		
	6075-R	4		
Cold Water Pipe 	1216-L	100	White	Supply pipa for plumbing liquid at 60°C and bellow
	1620-L	100		
	2025-L	100		
	2632-L	100		
	3240-L	4		
	4150-L	4		
	5163-L	4		
	6075-L	4		
Gas Pipe 	1014-G	100	Yellow	Supply pipe for gas liquid at -20°C ~ 40°C
	1216-G	100		
	1620-G	100		
	2025-G	100		
	2632-G	100		


FITTINGS PE-AL-PE




Straight Nipple Equal 	S 1216 X 1216	25	
	S 1620 X 1620	20	
	S 2025 X 2025	10	
	S 2632 X 2632	7	


Straight Nipple Male 	S 1216 X 1/2" M	45	
	S 1216 X 3/4" M	40	
	S 162.0 X 1/2" M	30	
	S 1620 X 3/4" M	30	
	S 1620 X 1" M	30	
	S 2025 X 1/2" M	15	
	S 2025 X 3/4" M	15	
	S 2025 X 1" M	11	
	S 2632 X 1/2" M	8	
	S 2632 X 3/4" M	8	
	S 2632 X 1" M	8	
	S 2632 X 1 1/4" M	6	
	S 2632 X 1 3/4" M	6	

Straight Nipple Female 	S 1216 X 1/2" F	40	
	S 1216 X 3/4" F	40	
	S 1620 X 1/2" F	30	
	S 1620 X 3/4" F	30	
	S 2025 X 1/2" F	20	
	S 2025 X 3/4" F	20	
	S 2025 X 1" F	12	
	S 2632 X 3/4" F	8	
S 2632 X 1" F	8		


Straight Nipple Reducing 	S 1014 X 1216	28	
	S 1620 X 1216	24	
	S 1620 X 2025	15	
	S 1620 X 2632	15	
	S 2025 X 1216	15	
	S 2025 X 2632	8	
	S 2632 X 1216	8	


Elbow Equal	L 1216 X 1216	18	
	L 1620 X 1620	14	
	L 2025 X 2025	8	
	L 2632 X 2632	5	

Tee Equal	T - 1216	14	
	T - 1620	10	
	T - 2025	6	
	T - 2632	4	


Elbow Female	L 1014 X 1/2" F	25	
	L 1216 X 1/2" F	25	
	L 1216 X 3/4" F	25	
	L 1620 X 1/2" F	20	
	L 1620 X 3/4" F	16	
	L 2025 X 1/2" F	16	
	L 2025 X 3/4" F	12	
	L 2025 X 1" F	7	
	L 2632 X 1" F	6	
	L 1216 X 1/2" FZ	16	
	L 1620 X 1/2" FZ	14	


Tee Male			
	T - 1216 X 1/2" M	18	
	T - 1620 X 1/2" M	14	


Tee Female	T 1216 X 1/2" F	18	
	T 1620 X 1/2" F	14	
	T 1620 X 3/4" F	10	
	T 2025 X 1/2" F	8	
	T 2025 X 3/4" F	8	
	T 2025 X 1" F	5	
	T 2632 X 1/2" F	4	
	T 2632 X 3/4" F	4	


Elbow Male	L 1216 X 1/2" M	25	
	L 1216 X 3/4" M	25	
	L 162.0 X 1/2" M	20	
	L 1620 X 3/4" M	20	
	L 2025 X 3/4" M	20	
	L 2632 X 1" M	20	
	L 2632 X 1" M	20	


Elbow Reducing	L 1216 X 1620	14	
	L 1216 X 2025	12	
	L 1620 X 2025	9	
	L 2025 X 2632	6	


<p>Block</p> 	16	50	
	20	40	
	25	30	
	32	20	


<p>Equal Straight</p> 	S 40 X 40		
	S 50 X 50		
	S 63 X 63		
	S 75 X 75		


<p>Reducer</p> 	S 40 X 25		
	S 40 X 32		
	S 50 X 40		
	S 63 X 40		
	S 63 X 50		
	S 75 X 40		
	S 75 X 50		
	S 75 X 63		


<p>Elbow Straight</p> 	L 40 X 40		
	L 50 X 50		
	L 63 X 63		
	L 75 X 75		


<p>Tee Straight</p> 	T 40 X 40 X 40		
	T 50 X 50 X 50		
	T 63 X 63 X 63		
	T 75 X 75 X 75		


<p>Reducing</p> 			
	S 1/2" F X 3/4" F	50	


<p>Monomer Raight Union Manifold</p> 	F 3/4" X S16 X 3	1	
	F 3/4" X S16 X 4	1	
	F 3/4" X S16 X 5	1	
	F 1" X S16 X 3	1	
	F 1" X S16 X 4	1	
	F 1" X S16 X 5	1	
	F 1 1/4" X S20 X 3	1	
	F 1 1/4" X S20 X 4	1	
	F 1 1/4" X S25 X 4	1	
	F 1 1/4" X S25 X 5	1	
F 1 1/4" X S25 X 6	1		


<p>Tee Reducing</p> 	T 1216 X 1620	12	
	T 1216 X 2025	8	
	T 1620 X 1216	12	
	T 1620 X 2025	7	
	T 2025 X 1216	8	
	T 2025 X 1620	6	
	T 2025 X 2632	6	
	T 2632 X 1216	6	


<p>Female Union</p> 	S 40 X 1 1/4" F		
	S 40 X 1 1/2" F		
	S 50 X 1 1/2" F		
	S 50 X 2" F		
	S 63 X 2" F		
	S 75 X 2 1/2" F		


<p>Female Union</p> 	S 40 X 1 1/4" M		
	S 40 X 1 1/2" M		
	S 50 X 1 1/2" M		
	S 50 X 2" M		
	S 63 X 2" M		
	S 75 X 2 1/2" M		

<p>Double Nipple</p> 	S 40 X 1 1/4" M		
	S 1/2" M	50	
	S 3/4" M	50	

<p>Reducer Tee</p> 	T 40 X 25 X 40		
	T 40 X 32 X 40		
	T 40 X 50 X 40		
	T 40 X 63 X 40		
	T 50 X 40 X 50		
	T 50 X 63 X 50		
	T 50 X 75 X 50		
	T 63 X 50 X 63		
	T 63 X 75 X 63		
	T 75 X 40 X 75		
	T 75 X 50 X 75		
	T 75 X 63 X 75		


<p>Gate Valve</p> 			
	Z ½" F	12	
	Z ¾" F	10	

<p>SOK</p> 			
	S ½" F	50	
	S ¾" F	50	


<p>Nipple Male Female</p> 			
	S ½" F X ½" M	50	


<p>External Bending</p> 			
	WTH 20	12	
	WTH 25	12	
	WTH 32	12	


<p>Flexible Hose</p> 	FH - 20 CM	250	
	FH - 30 CM	250	
	FH - 40 CM	200	
	FH - 50 CM	180	
	FH - 60 CM	90	
	FH - 80 CM	70	
	FH - 100 CM	50	


<p>Cutter Pipe</p> 			
	GJ 14/32	1	

<p>Tools</p> 	FH - 20 CM	250	
	FH - 30 CM	250	
	FH - 40 CM	200	
	FH - 50 CM	180	
	FH - 60 CM	90	
	FH - 80 CM	70	
	FH - 100 CM	50	


<p>Low Clip</p> 	B.0701 Ø 1216	1800	
	B.0701 Ø 1620	1600	
	B.0701 Ø 2025	1000	
	B.0701 Ø 2632	500	
	B.0701 Ø 3240	500	

<p>SOK</p> 	Q ½" F	24	
	Q ¾" F	20	
	Q 1" F	18	
	Q 1 ¼" F	16	
	Q 1 ½" F	12	
	Q 2" F	6	

Bender			
			
	SIX IN ONE	1	

Rounding Beveling			
	ZYD 40	1	
	ZYD 50	1	
	ZYD 63	1	
	ZYD 75	1	

Cutter			
			
	GJ 14/63	1	

Compression Ball Valve			
	Q 16	24	
	Q 20	20	
	Q 25	18	
	Q 32	16	
	Q 40	12	
	Q 50	6	
	Q 16 X ½" F	12	

Welding Machine Ppr Pipe



Ukuran Dies :

1. Size :- 20 mm to 32 mm
2. Size :- 20 mm to 63 mm
3. Size :- 75 mm to 110 mm
4. Size :- 160 mm
5. Pipe Cutter

Specifications

- Condition : Baru
- Packaging Type : Hand Carry
- Automatic Grade:Semi - Automatic
- Driven Type : Electric
- Voltage : 160w/220v



Company Profile and Catalog

CONTACT US



(021)55762259 | 081280869955



info@syafaindustry.com

<http://syafaindustry.com>