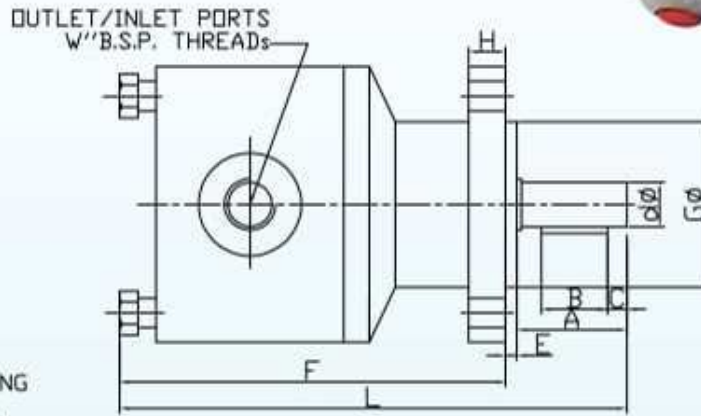
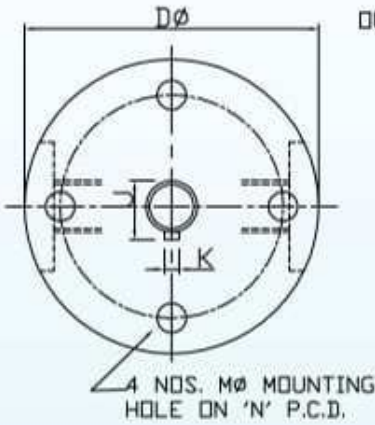


ROTARY PUMPS

Flange Type (Non Reversible)
Pressure 15 Kg/Cm²



DIMENSIONS ARE IN MM

Model	Discharge at 1500 RPM	A	B	C	D	d	E	F	G	H	J	K	L	M	N	W" in B.S.P.
FRP-1	1 LPM	22	16	3	60	10	2	70	35	7	11.5	3	95	6.5	45	1/4"
FRP-3	3 LPM	22	16	3	60	10	2	75	35	7	11.5	3	100	6.5	45	1/4"
FRP-4	4 LPM	30	18	6	80	12	3	90	45	10	14	4	127	8.5	65	1/4"
FRP-6	6 LPM	30	18	6	80	12	3	95	45	10	14	4	130	8.5	65	3/8" (1/4")
FRP-10	10 LPM	30	18	6	80	12	3	105	45	10	14	4	140	8.5	65	1/2" (3/8")
FRP-16	16 LPM	40	25	7	115	14	4	120	65	14	16	5	150	9	95	1/2"
FRP-25	25 LPM	40	25	7	115	14	4	135	65	14	16	5	165	9	95	1/2"

Flange Type (Reversible)
Pressure 15 Kg/Cm²



Model	Discharge at 1500 RPM	A	B	C	D	d	E	F	G	H	J	K	L	M	N	W" in B.S.P.
FRP-3-R	3 LPM	22	16	3	70	10	2	75	35	7	11.5	3	100	6.5	45	1/4"
FRP-6-R	6 LPM	30	18	6	92	12	3	95	45	10	14	4	130	8.5	65	1/4" (3/8")
FRP-10-R	10 LPM	30	18	6	92	12	3	105	45	10	14	4	140	8.5	65	1/2" (3/8")

Insert Type (Reversible)
Pressure 15 Kg/Cm²



Model : IRP-3-R
 Pump OD 70mm
 Insert OD 35mm
 Shaft OD 10 mm
 Shaft Slot 6 mm
 Input/Output 1/4" BSP
 Mounting Centre 57.5mm
 Total Length 88mm

These are gerotor type pumps with positive displacement of oil. They are suitable for various purpose which require low discharge, medium pressure oil pumps, such as lubrication of gear-box, headstocks, transfer of oil, low pressure hydraulic power packs rotary oil filters etc. The pumps are suitable for oil with viscosity range 30-1000 CST / 40° C.



CENTRALISED LUBRICATION SYSTEM

ROTARY PUMPS:

*LPM AT 1500 RPM



NON REVERSIBLE

1 LPM
3 LPM
6 LPM
10 LPM
16 LPM
25 LPM



REVERSIBLE

1 LPM
3 LPM
6 LPM
10 LPM



INSERT TYPE

3 LPM

MOTOR PUMP ASSEMBLY:

MPAL-1	DIS. 1 LPM
MPAL-3	DIS. 3 LPM
MPAL-6	DIS. 6 LPM
MPAL-10	DIS. 10 LPM
MPAL-16	DIS. 16 LPM
MPAL-25	DIS. 25 LPM

