

Compact

Efficient

Economical

Low Noise



ROTARY GEAR PUMPS

type-CGX

Flange Mounted



Features :

- ▶ With increased efficiency enhanced capacity range, Improved operational Reliability & relief valve function
- ▶ Optionally converted to foot type with the help of L Type bracket. It give choice to match the height of electric motor.
- ▶ The inlet outlet port orientatetion can also be changed radially.
- ▶ Working temperature up to 250 Degrees Celsius
- ▶ SIC vs SIC (GFT) Mechanical Seal

Application :

- ▶ Due to compact & simple design and with availability of monoblock version. This pumps are ideally suitable for OE application for
 - * Centralised lubricating systems
 - * Oil filtration cooling & cleaning systems
 - * Pumping & Heating systems
 - * Transformer oil purification system
 - * Use as a barrel pump.
- ▶ Transfer of all viscous & semi viscous liquids like LDO, FO, LSHS, Lube. oil, Mineral oil, Paint, varnish, glue, glycerin, glycol, soap solution, sugar solution, kerosane molasses etc.



ROPAR

A perfect way of Pumping Viscous Liquids.

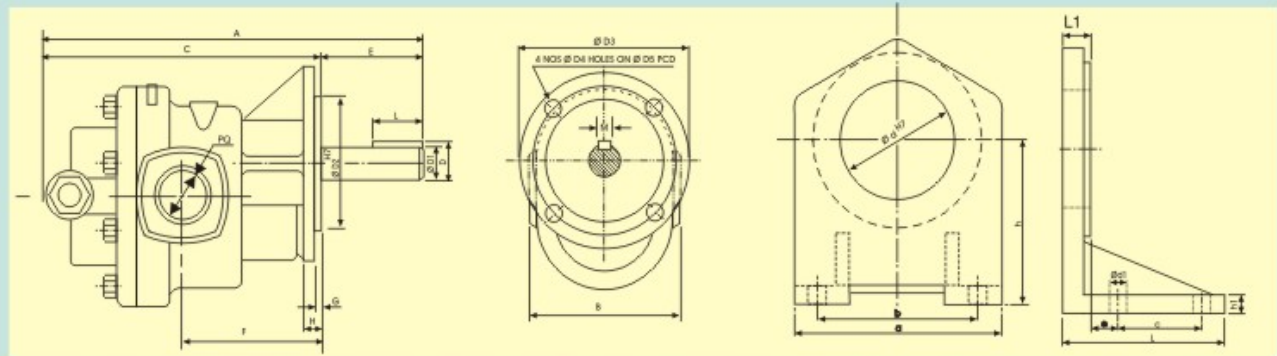
FORWARD

'ROPAR' Rotary Gear Pump type CGX is a self priming, Bi directional positive displacement pump with high volumetric efficiency & over all efficiency. The pumps in simple two piece CI construction with self lubricated sintered bronze bush bearing, hardened and ground shafts & gear providing maintenance free pump with long service life. The pump can be run in either direction with change in inlet & outlet port position. The relief valve operation can simply be reserved by changing the R.V. parts on oposite side.

SIZE,CAPACITY & POWER CHART

PUMP MODEL	INLET OUTLET SIZE	CAPACITY AT 1440 RPM			REQUIRED POWER IN BHP AT DIFFERENTIAL PRESSURE OF 'X' kg/cm ² WITH 1500 SSU VISCOSITY										WT. OF BARE SHAFT PUMP IN KG.
		LPM	US GPM	M ³ /hr	'X' 1	2	3	5	6	7	8	9	10	12	
CGX-025	1/4" X 1/4"	2.5	0.65	0.15	0.10	0.11	0.12	0.13	0.14	0.15	0.16	0.17	0.19	0.22	1.6
		5.00	1.30	0.30	0.20	0.21	0.22	0.24	0.25	0.27	0.30	0.32	0.35	0.41	
CGX-050	1/2" X 1/2"	10	2.65	0.60	0.25	0.27	0.29	0.34	0.37	0.40	0.43	0.46	0.50	0.56	2.1
		15	4.00	0.90	0.27	0.31	0.36	0.46	0.52	0.58	0.62	0.68	0.72	0.80	
CGX-075	3/4" X 3/4"	20	5.30	1.20	0.30	0.35	0.40	0.50	0.55	0.60	0.65	0.70	0.75	0.85	3.9
		25	6.65	1.50	0.32	0.38	0.44	0.52	0.59	0.66	0.73	0.80	0.87	0.98	
CGX-100	1" X 1"	35	9.30	2.10	0.37	0.43	0.50	0.57	0.64	0.72	0.82	0.92	1.02	1.12	4.6
		50	13.30	3.00	0.40	0.50	0.60	0.90	1.05	1.15	1.30	1.45	1.60	1.80	
CGX-125	1 1/4" X 1 1/4"	60	16.00	3.60	0.55	0.75	0.98	1.23	1.45	1.65	1.85	2.05	2.25	2.45	7.50
		75	20.00	4.50	0.70	1.00	1.20	1.50	1.78	1.95	2.15	2.35	2.55	2.95	
CGX-150	1 1/2" X 1 1/2"	100	26.60	6.00	0.85	1.10	1.35	1.77	2.00	2.22	2.45	2.70	2.90	3.45	8.80
		125	33.30	7.50	1.05	1.45	1.95	2.40	2.75	2.95	3.25	3.60	4.00	4.50	
CGX-200	2" X 2"	150	40.00	9.00	1.40	1.82	2.45	3.50	4.01	4.50	5.25	5.84	6.35	7.60	16.40
		200	53.30	12.00	1.85	2.45	3.10	4.05	4.65	5.15	5.70	6.25	6.90	8.10	
CGX-250	2 1/2" X 2 1/2"	300	80.00	18.00	3.70	4.50	5.40	7.10	8.05	8.95	10.25	11.15	12.05	13.50	27.80
		350	93.30	21.00	4.15	5.20	6.1	8.20	9.1	10.30	11.20	12.10	13.00	14.05	
CGX-300	3" X 3"	415	110.00	25.00	5.00	6.10	7.12	9.15	10.20	11.30	12.35	13.50	14.65	16.80	36.00
		500	132.50	33.30	6.50	7.90	9.35	12.20	13.90	15.50	16.6	17.30	18.45	21.40	

PUMPS & BRACKET DIMENSION

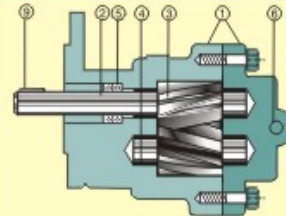


MODEL	A	B	C	D	øD1	øD3	øD4	øD5	E	F	G	H	L	M	øD2	PQ	a	b	c	ød1	e	h	h1	L	L1
CGX-025	117	64	87	11.0	9.5	72	6.5	59	30	74	2	8	18.0	3	45	1/4" BSP	78	60	35	8.0	12	63	10	77	12
CGX-050	152	70	116	13.0	12	80	8.0	66	36	92	2	9	22.0	4	50	1/2" BSP	90	70	40	8.0	15	71	12	80	13
CGX-075	183	80	138	16.0	14	90	8.5	73	45	115	2.5	10	25.0	5	55	3/4" BSP	108	85	45	10.0	16	80	12	90	13
CGX-100	202	86	147	19.0	17	100	9.5	80	55	125	3	10	27.5	5	60	1" BSP	120	93	50	10.0	16	90	12	100	16
CGX-125	233	100	168	22.5	20	112	11.5	92	65	148	3	12	32.0	6	72	1 1/4" BSP	145	105	60	12.0	15	100	15	110	20
CGX-150	260	108	185	24.5	22	120	11.5	100	75	162	3	12	35.0	6	80	1 1/2" BSP	155	115	70	12.0	17	112	15	135	20
CGX-200	327	142	225	28.0	25	135	13.5	112	102	207	3	15	40.0	8	90	2" BSP	190	140	100	15.0	18	132	15	160	20
CGX-250	370	160	260	31.0	28	152	13.5	128	110	242	3	15	45.0	8	105	2 1/2" BSP	210	155	120	18.0	20	160	18	182	22
CGX-300	428	170	308	33.0	30	175	17.5	142	120	275	3	17	50.0	8	110	3" BSP	240	170	135	19.0	22	180	20	200	22

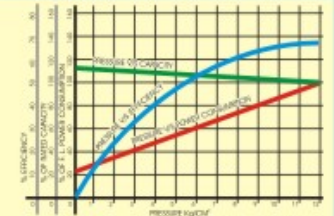
MOC

- (1) Casing & covers : C.I. Gr. 20 , IS - 210
- (2) Drive shafts : EN - 9 hardened & gr.
- (3) Rotary gears : EN - 8 toughaned
- (4) Bush bearings : Sintered bronze
- (5) Shaft Seals : Oil seal / Mech. Seal
- (6) R.V. spring : AISI S.S. 302
- (7) R.V. ball : EN - 31 hardened gr
- (8) R.V. screw & plug : Brass
- (9) Key for coupling : Mild steel

CROSS SECTION



PERFORMANCE CURVE



CONTACT

Manufactured in India by :
DI ENGINEERS