



BRANCH OFFICE

Jl. Bajak IV Barat No. 41 B Medan 20124
Sumatera Utara - Indonesia

Telephone : 061 - 42779993
Fax : 061 - 25259945
Website : www.arthakarya.co.id
E-mail : medanarthakarya@gmail.com



PRODUCT CATALOGUE

TABLE OF CONTENT

Gate Valve

Cast carbon steel gate valve	1
Stainless steel gate valve	1
Duclite iron gate valve	2

Globe Valve

Cast carbon steel globe valve	3
Stainless steel globe valve	3
Duclite iron globe valve	3

Check Valve

Cast carbon steel check valve	4
Stainless steel check valve	4
Duclite iron check valve	4

Ball Valve

Cast carbon steel ball valve	5
Stainless steel ball valve	5

Butterfly Valve

Resilient seated butterfly valve	6
----------------------------------	---

Stainless Steel Pipe

Welded Pipe	7
Seamless Pipe	8

Carbon Steel Pipe

Welded Pipe	9
Seamless Pipe	10

Galvanize Steel Pipe

Seamless Pipe	11
Electric Resistance welded pipe	11

Flange Series

Stainless steel flange	12
Carbon steel flange	12



SEJAK 2008



Medan Artha Karya didirikan pada 13 September 2008 dengan SK Kemenkumham No. AHU-0027589-AH.01.14 dan No SIUP 9120.0084.6259.7 Kami memiliki banyak pengalaman dalam bidang pengadaan material dan layanan konstruksi Mechanical piping and pipeline system seperti pemasangan Pipa dan Valve serta aksesoris lainnya. Selanjutnya untuk mendukung program Pemerintah yaitu Pembangunan Infrastruktur Nasional secara besar-besaran. Medan Artha Karya tak henti-hentinya akan mempromosikan karir bisnis nya dengan cara yang profesional dan menjaga reputasi yang telah kami bangun dengan Konsumen yang telah memberi kepercayaan kepada kami

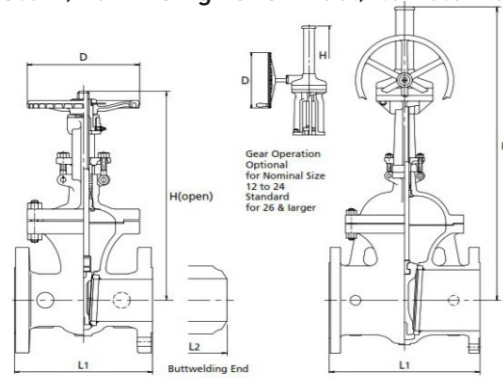
Medan Artha Karya telah banyak bekerja sama dalam pengadaan material dan Konstruksi Mechanical terkhususnya PIPA, VALVE dan POMPA dengan berbagai macam Industri seperti Industri Minyak dan Gas, Industri Tambang Kalimantan, Industri Pupuk Aceh, Industri Gula Lampung, Industri Sawit, Industri Aluminium. Medan Artha Karya percaya bahwa upaya dan kerja keras kami tidak akan berakhir sampai tahap ini, dengan motto kami yaitu KEPUASAN MENYELURUH kami memberikan komitmen dan perhatian serta standart yang tinggi untuk pelayanan terhadap customer kami.

MEMPERKUAT
INDUSTRI ANDA
SEJAK 2008

VALVE SERIES

GATE VALVE

Any brands can be ordered
Cast carbon steel gate valve
Bolted bonnet, outside screw-and-yoke,
rising stem, non-rising handwheel, flexible wedge

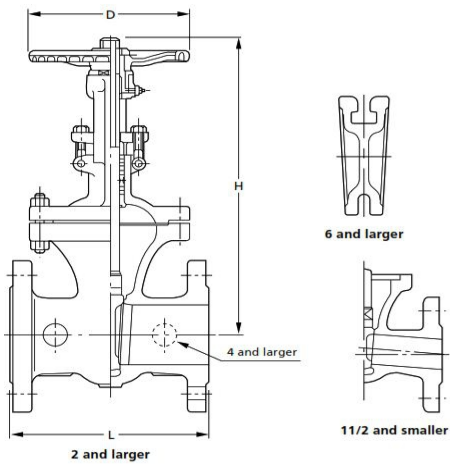


Class 150 Class 300 Class 600 Class 900

NORMAL SIZE		INCH																
CLASS	150	1.5	2	2.5	4	6	8	10	12	14	16	18	20	24	26	28	32	36
	300	1.5	2	2.5	4	6	8	10	12	14	16	18	20	24	26	28	32	
	600	2	4	6	8	10	12	14	16	18	20	24						
	900	2	4	6	8	10	12											

Stainless steel gate valve

Corrosion resistant service with high alloy steel valves



Class 150 Class 300 Class 600 Class 900

NORMAL SIZE		INCH																
CLASS	150	3	4	6	8	10	12	14	16	18	20	24						
	300	2	2.5	3	4	6	8	10	12									
	600	2	4	6	8													
	900	2	4	6														



VALVE SERIES

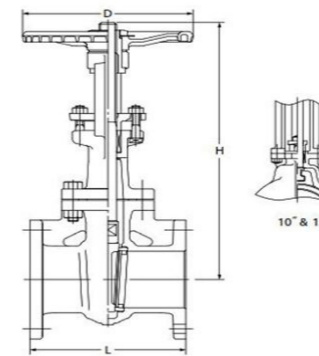
GATE VALVE

Any brands can be ordered

Duclite iron gate valve

Type B.B.O.S.Y FF-Flanged, JIS 10 K /16 K /20 K Asme class 150/300

- 120 Static water.....1.4MPa
- 220 Steam, air, gas, oil..... 1.2MPa
- 300 Steam, air, gas, oil..... 1.0MPa



F-F dimension : JIS B 2002
End flanges : JIS B 2239 10K



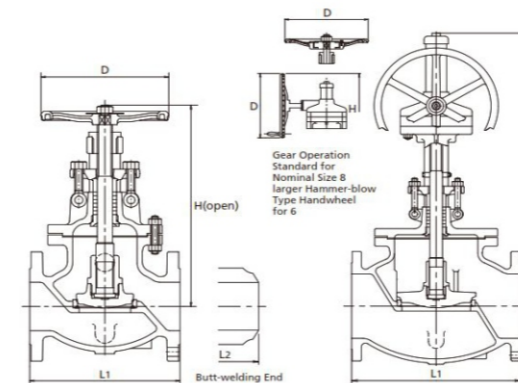
10 K 20 K Class 150 Class 300

NORMAL SIZE		INCH																
CLASS	10	2	2.5	3	4	5	6	8	10	12								
	20	2	2.5	3	4	5	6	8	10	12								
	150	2	2.5	3	8	5	6	8	10	12								
	300	2	2.5	3	8	5	6	8	10									

GLOBE VALVE

Any brands can be ordered

Cast carbon steel globe valve
Bolted bonnet, outside screw-and-yoke,
rising stem, non-rising handwheel, flexible wedge



Class 150 Class 300 Class 600 Class 900

PARTS	MATERIALS
Body	ASTM A 26 Gr. WCB
Bonnet	ASTM A 26 Gr. WCB
Stem	ASTM A 182 Gr. F6a
Disc	13 Cr/Carbon Steel + 13 Cr
Body seat ring	Carbon STEEL + HF*
Gland	ASTM A 182 Gr.F6a
Gland Packing	Flexible Graphite
Gland flange	ASTM A 105/A216 Gr. WCB
Handw heel	Duclite Iron
Bonnet bolt/nut	ASTM A 193 Gr.B7/A 194 Gr. 2H
Gland bolt/nut	ASTM A 576 Gr. 1045/A 194 GR. 2H
Bonnet bushing	ASTM A 182 Gr.F6A
Yoke sleeve	ASTM A 439 Tp.D2
Grease nipple	Carbon Steel

PARTS	MATERIALS
Body	CF 8
Bonnet	CF 8
Stem	304
Disc	CF 8
Gland flange	CF 8
Handw heel	Duclite Iron
Bonnet bolt/nut	B 8/8
Gland bolt/nut	B 8/8
Yoke sleeve	Duclite Ni-Resist
Grease nipple	Carbon Steel
Name Plate	Aluminium
Pressure temperature rating	ASME B16.34

PARTS	MATERIALS
Body	FCD-S
Bonnet	FCD-S
Stem	SUS 304
Disc	SUS 304
Gland Packing	Non asbestos packing
Handw heel	FCD 400
Bonnet bolt/nut	Carbon Steel
Gland bolt/nut	Carbon Steel
Yoke sleeve	C6782 BE
Yoke	FCD-S
Body and disk seat ring	SFVC2A + 13Cr, SUS 304

Use for lubricating or hydraulic oil is acceptable. Contact MP Corporation for technical advise, if valve are used as heat transfer media. Bolting materials will be change for servicing high temperature exceeding225. Contact MP Corporation for detailed information.

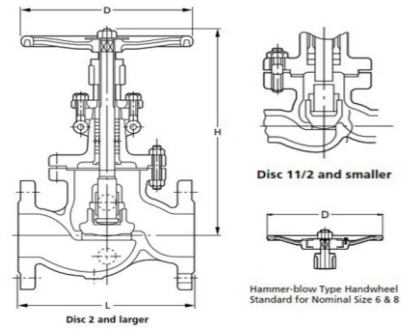
PARTS	MATERIALS
Body	ASTM A 216 Gr.WCB
Bonnet	ASTM A 216 Gr. WCB
Stem	ASTM A 276 Tp. 403
Disc	13 Cr/Carbon Steel + 13 Cr
Body seat ring	Carbon Steel + HF*
Gland	ASTM A 182 Gr. F6a
Gland packing	Flexible Graphite
Gland flange	ASTM A 105/A216 Gr. WCB
Handw heel	ASTM A 193 Gr.B7/A 194 Gr.2H
Bonnet bolt/nut	ASTM A576 Gr. 1045/A 194 Gr. 2H
Gland bolt/nut	ASTM A 182 Gr.F6a
Bonnet bushing	ASTM A 439 Tp.D2
Yoke sleeve	ASTM A 439 Tp.D2

NORMAL SIZE		INCH																
CLASS	150	2	2.5	4	8	10	12	14	16	18								
	300	2	2.5	4	8	10	12	14	16									
	600	2	2.5	4	8	10	12											
	900	2	4	6														

VALVE SERIES

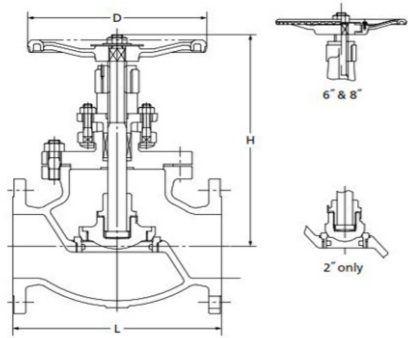
GLOBE VALVE

Any brands can be ordered
Stainless steel globe valve
Corrosion resistant service with high alloy steel valves

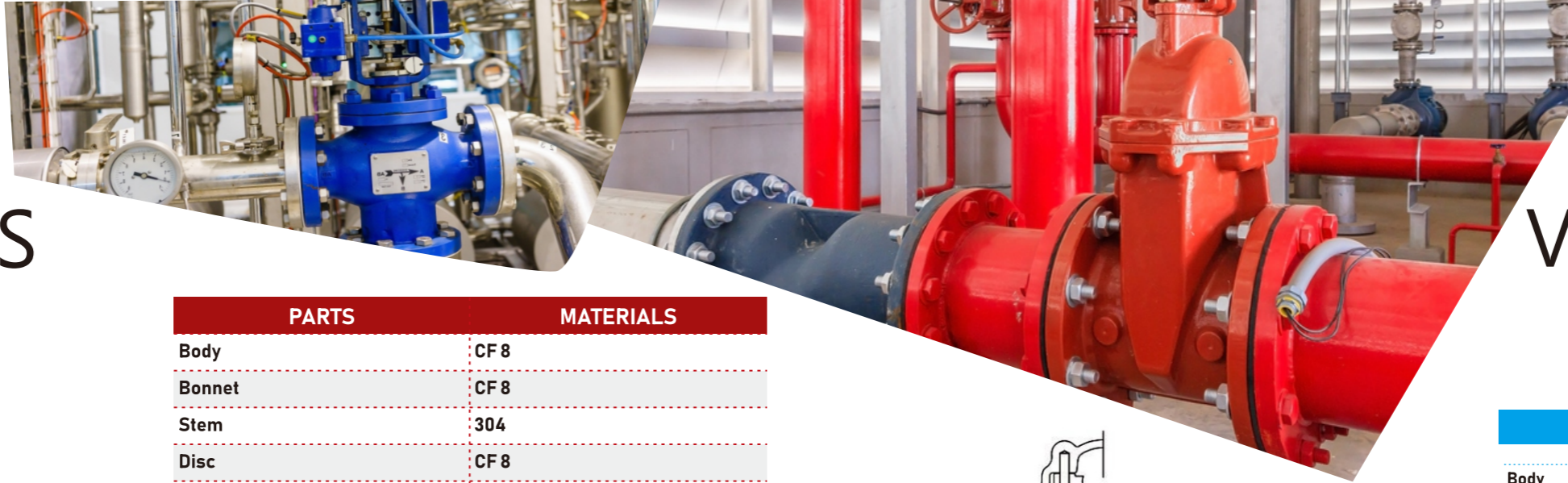


NORMAL SIZE	INCH							
10K	3	4	6	8	10	12		
150K	2	2.5	3	4	6	8	10	12
300K	2	4	6	8				
600K	2	4	6					

Duclite Iron globe valve
Type B.B.O.S.Y FF-Flanged, JIS 10 K / 16 K / 20 K Asme class 150/300



NORMAL SIZE	INCH								
10K	2	2.5	3	4	5	6	8	10	12
150K	2	2.5	3	4	5	6	8		
300K	2	2.5	3	4	5	6	8		
600K	2	2.5	3	4	5	6	8		



VALVE SERIES

CHECK VALVE

Any brands can be ordered

Cast carbon steel check valve
Bolted cover, swing type disc.

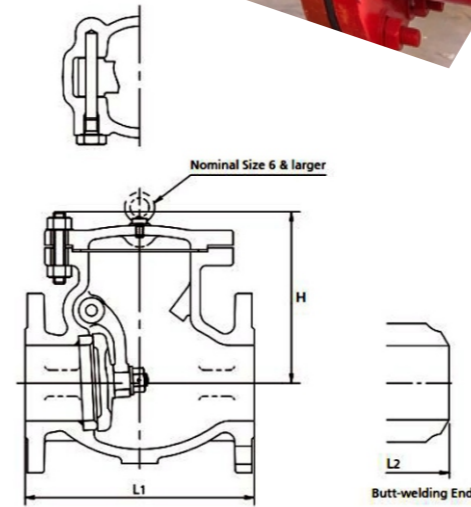
PARTS	MATERIALS
Body	CF 8
Bonnet	CF 8
Stem	304
Disc	CF 8
Grand flange	CF 8
Hands heel	Duclite Iron
Bonnet bolt/nut	B 8/8
Gland bolt/nut	B 8/8
Yoke sleeve	Duclite Ni-Resist
Grease nipple	Carbon Steel
Name Plate	Aluminium
Pressure temperature rating	ASME B16.34
Wall Thickness	API 600

Body seats and/or disc seats can be optionally hard-faced.
Yoke is separated from bonnet for size 12 and larger.
Noted : * Renewable seats are optionally available for size 2 and large.
Solid wedge for size 4 and smaller.
Flexible wedge for all other size.
Contact MP Corporation for detailed information.

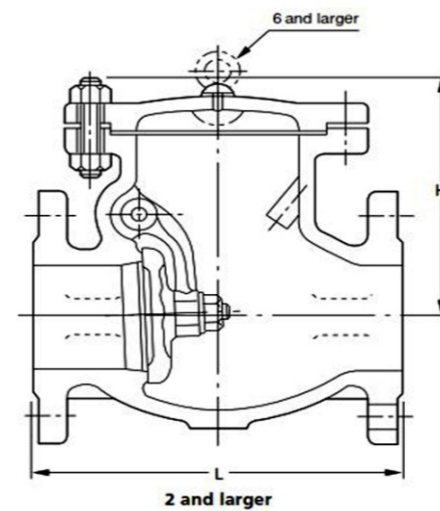
120	Static water.....	2.2MPa
220	Steam, air, gas, oil.....	2.0MPa
300	Steam, air, gas, oil.....	1.8MPa
350	Steam, air, gas, oil.....	1.6MPa

PARTS	MATERIALS
Body	FCD - S
Bonnet	FCD - S
Stem	SUS 304
Disc	FCD - S (2" : SUS 403)
Grand Packing	Non asbestos packing
Hands heel	FCD 400
Gasket	Carbon steel
Yoke Nuch	C6782 BD
Name Plate	A 1050 p
Body and Disk seat ring	SCS1 (5" - 12" : SUS403)

Use for lubricating or hydraulic oil is acceptable. Contact MAK Corporation for technical advise, if valve are used as heat transfer media.
Bolting materials will be change for servicing high temperature exceeding 225. Contact MAK Corporation for detailed information.



Stainless steel check Valve
Corrosion resistant service with high alloy steel valves



PARTS	MATERIALS
Body	ASTMA 216 Gr. WCB
Cover	ASTMA A 216 / A 105 Gr. WCB
Disc	13 Cr/Carbon Steel + 13 Cr
Disc Nut	ASTMA A 194 gR 8
Body seat ring	Carbon STEEL + HF*
Cover bolt/nut	ASTM 193 Gr. B7/A 194 Gr.2H
Arm	ASTM A216 Gr.WCB / ASTM A 105
Gasket	ASTMA A 105/A216 Gr. WCB
Plug	ASTM A%&^ gR.1045

NORMAL SIZE	INCH												
150	2	2.5	3	4	6	8	10	12	14	16	18	20	24
300	2	2.5	3	4	6	8	10	12	14	16	18	20	
600	2	2.5	3	4	6	8	10	12	14	16	18		
900	2	2.5	3	4	6	8	10	12					

PARTS	MATERIALS
Body	CF 8 / CF 8 M
Cover	CF 8 / CF 8 M
Disc	CF 8 / CF 8 M
Gasket	ASTM A 194 Gr 8
Disc Nut	304 / 316
Hinge pin	305 / 316
Plug	306 / 316
Arm	CF 8 / CF 8 M
Washer	304
Cover bult/nut	B 8/8
Split pin	304 / 316 L
Name Plate	Aluminium

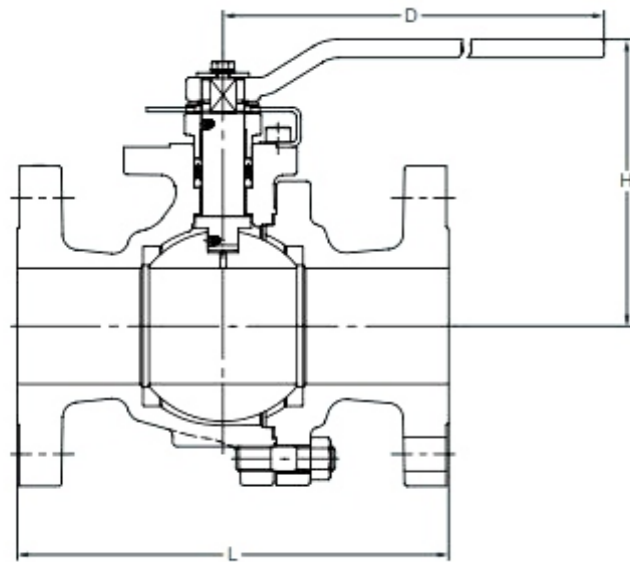
Pressure temperature rating : ASME B16.34
Face to face dimension : ASME B16.10
End flanges dimension : ASME B16.5
Wall thickness : API 600

NORMAL SIZE	INCH												
150	2	2.5	3	4	6	8	10	12	14	16	18	20	24
300	2	2.5	3	4	6	8	10	12	14	16	18	20	
600	2	2.5	3	4	6	8	10						
900	2	2.5	3	4	6								

VALVE SERIES

BALL VALVE

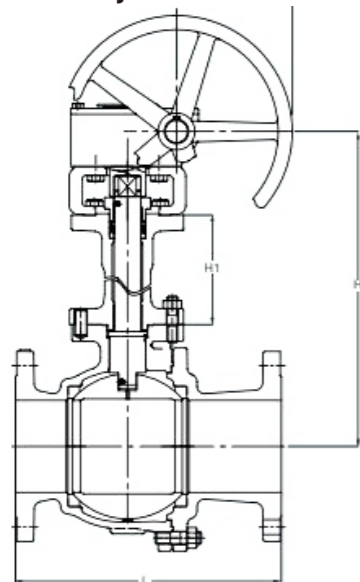
Any brands can be ordered
 Cast carbon steel valve
 Floating ball design



PARTS	MATERIALS
Body	ASTM A 26 Gr. WCB
Stem	A 276 Type 304
Ball	A 276 304
Gland	A276 Type 316
Handel	Carbon Steel, Duclite Iron
Body Insert	A216 Gr. WCB
Ball Seat	HYPATITE PTFE

NORMAL SIZE	INCH										
150	0.5	0.75	1	1.5	2	2.5	3	4	5	6	8
300	0.5	0.75	1	1.5	2	2.5	3	4	5	6	8
600	0.5	0.75	1	1.5							
1500	2	0.75	1	1.5							

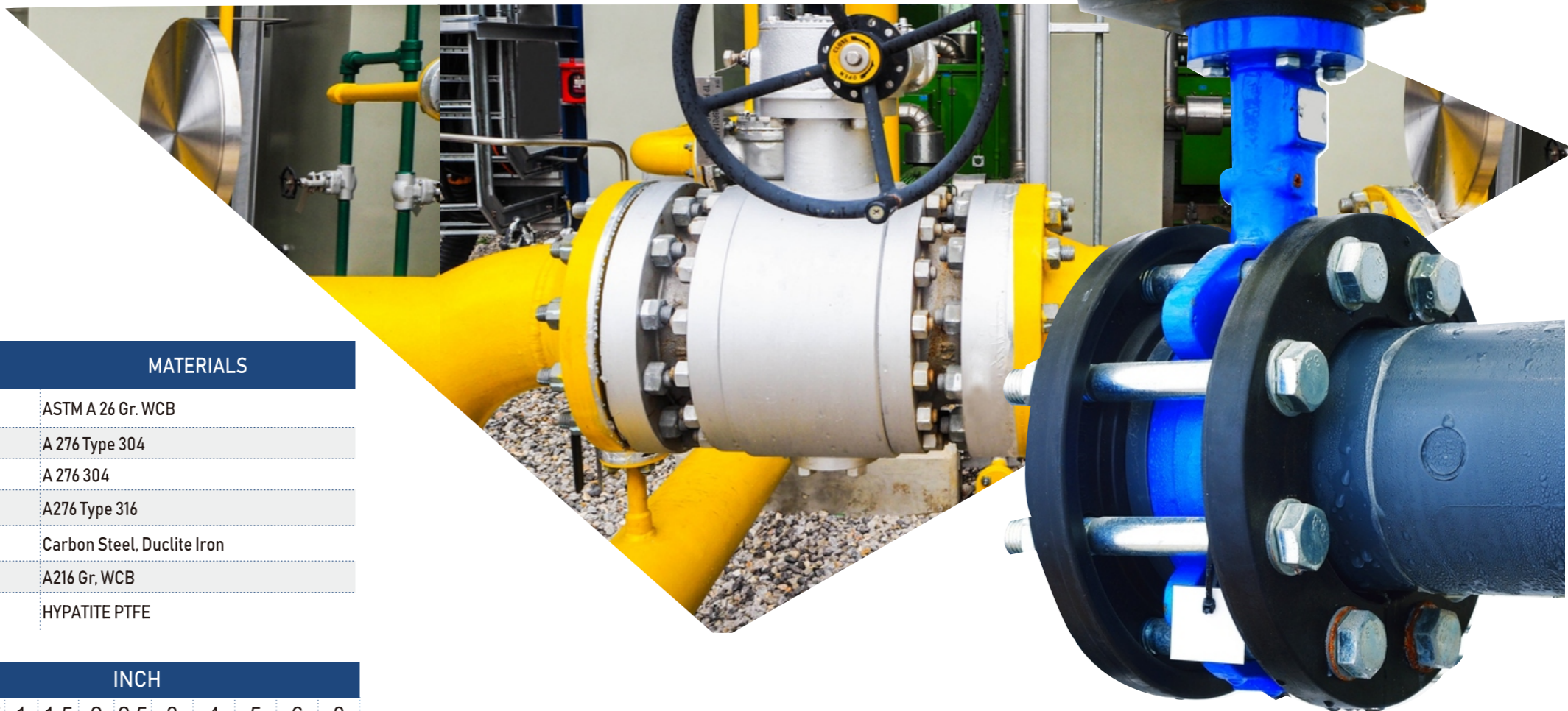
Stainless Steel Ball Valve
 Corroton resistan service with high alloy steel valves



PARTS	MATERIALS
Body	A351 Gr. CF 8
Stem	A 276 Type 304
Ball	A 276 Type 304
Gland	A351 Gr. CF 8
Handel	Duclite Iron
Body Insert	A351 Gr. CF 8
Ball Seat	HYPATITE PTFE

Features
 Antistaic Device
 Blowout-proof system
 Fire test certification API 607 ISO 10497
 Steam Head conform with CAPI ADDS 2.02 dimensi
 High performance HYPATITE PTFE ball seats
 Actuator mounting pad to ISO 5211

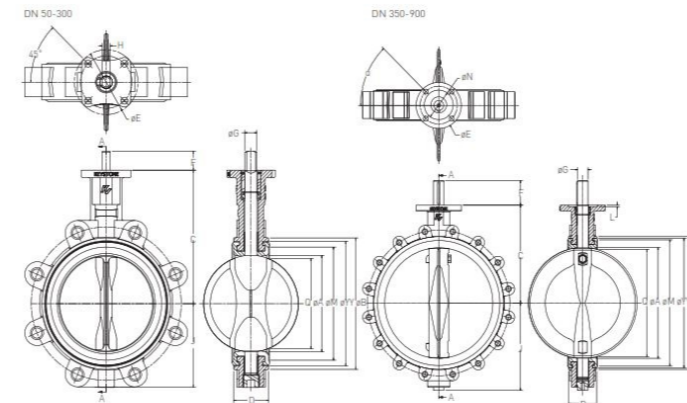
NORMAL SIZE	INCH										
150	0.5	0.75	1	1.5	2	2.5	3	4	5	6	8
300	0.5	0.75	1	1.5	2	2.5	3	4	5	6	8
600	0.5	0.75	1	1.5							
1500	2	0.75	1	1.5							



VALVE SERIES

BUTTERFLY VALVE AND KNIFE VALVE

Any brands can be ordered
 Butterfly valve
 Resilient seated butterfly valves,
 wafer body design and lugged body design



PARTS	MATERIALS
Body	Duclite iron ASTM A536 Gr. 65-45-12
Disc	Super duplex /SS 316 / ss 314
Seat	EPDM, NBR, HNBR
Bushing	Polyester
Plug	Carbon Steel
Pressure	16 Bar DN 50-300 10 Bar DN 350-900
Temperature	- 40°C to + 160°C
End of line	10 Bar DN 50-300
Cover bolt/nut	6 Bar DN 350-900
Vacuum Service	0.4 Bar
Flange Accomodation	RN 6/10/16, ASME 125/150, JIS 10KBS Table EAS4087 PN 16

NOMINAL SIZE	MM					
SMALL	50	80	100	150	200	300
MEDIUM	350	400	450	500	600	
LARGE	700	900	1200			

STAINLESS STEEL PIPE

WELDED PIPE

Any brands can be ordered

Custom materials can be ordered

ASTM A 312 TP 304
GRADES 304,316

Length : 6 meters

PIPE, Type 304 the most common grade, the classic 18/8 (18% chromium, 8% nickel) stainlesssteel. Outside of the US it is commonly know as "A2 stainless steel", in accordance ISO 3506 (not to be confused with A2 tool steel) Composition.

DIAMETERS	SCHEDULE			
	SCH 20	SCH 40	SCH 80	SCH 100
1/4		✓	✓	✓
1/2	✓	✓	✓	✓
3/4		✓	✓	✓
1	✓	✓	✓	✓
1 1/4	✓	✓	✓	✓
1 1/2	✓	✓	✓	✓
2	✓	✓	✓	✓
2 1/4	✓	✓	✓	✓
2 1/2	✓	✓	✓	✓
3	✓	✓	✓	✓
4	✓	✓	✓	✓
5	✓	✓	✓	✓
6	✓	✓	✓	✓
8	✓	✓	✓	✓
10	✓	✓	✓	✓
12	✓	✓	✓	✓
14	✓	✓	✓	✓
16	✓	✓	✓	✓
18	✓	✓	✓	✓
20	✓	✓	✓	✓
24	✓	✓	✓	✓

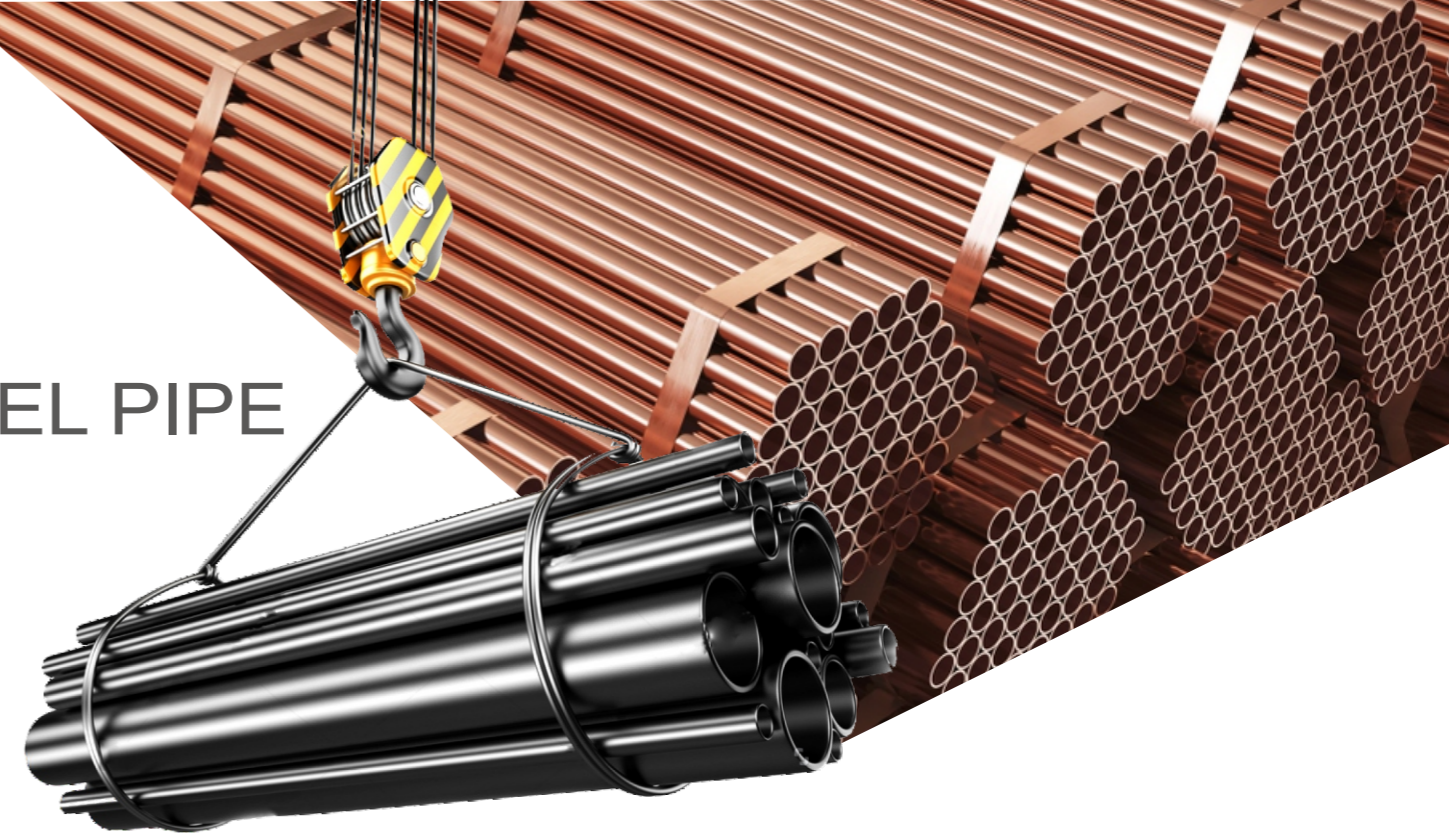
Disclaimer : Not all size are ready-stocked, please check with our staffs regarding their availability

PIPE SERIES STAINLESS STEEL PIPE SEAMLESS PIPE

Custom materials can be ordered

ASTM A 312 TP 304
GRADES 304,316

Length : 6 meters



DIAMETERS	SCHEDULE			
	SCH 20	SCH 40	SCH 60	SCH 100
1/4	✓	✓	✓	✓
1/2		✓	✓	✓
3/4	✓	✓	✓	✓
1	✓	✓	✓	✓
1 1/4	✓	✓	✓	✓
1 1/2	✓	✓	✓	✓
2	✓	✓	✓	✓
2 1/4	✓	✓	✓	✓
2 1/2	✓	✓	✓	✓
3	✓	✓	✓	✓
4	✓	✓	✓	✓
5	✓	✓	✓	✓
6	✓	✓	✓	✓
8	✓	✓	✓	✓
10	✓	✓	✓	✓
12	✓	✓	✓	✓
14	✓	✓	✓	✓
16	✓	✓	✓	✓
18	✓	✓	✓	✓
20	✓	✓	✓	✓
24	✓	✓	✓	✓

Disclaimer : Not all size are ready-stocked, please check with our staffs regarding their availability

CARBON STEEL PIPE SEAMLESS PIPE

Custom materials can be ordered

ASTM A53 / API 5 L , ASTM A106

Length : 6 meters

Available Grades : A,B,C



Chemical Requirements	Grade A	Grade B	Grade C
Carbon, max %	0.25	0.3	0.35
Chrome, max %	0.4	0.4	0.4
Nickel, max %	0.4	0.035	0.4
Sulfur, max %	0.035	0.35	0.035
Vanadium, min %	0.08	0.08	0.08
Silicon, min %	0.1	0.1	0.1

ASTM A106 grade B Seamless Pressure Pipe (ASME SA106) is used in power plants, boilers, petrochemical plants, oil and gas refineries, and ships where the piping must transport fluids and gases that exhibit high pressures and temperatures. ASTM A106 Seamless Pressure Pipe covers seamless carbon steel nominal wall pipe for high temperature service. Suitable for bending, flanging and similar forming operations.

DIAMETERS	SCHEDULE			
	SCH 20	SCH 40	SCH 80	SCH 160
1/2	✓	✓	✓	✓
1	✓	✓	✓	✓
1 1/2	✓	✓	✓	✓
2	✓	✓	✓	✓
2 1/2	✓	✓	✓	✓
4	✓	✓	✓	✓
6	✓	✓	✓	✓
8	✓	✓	✓	✓
10	✓	✓	✓	✓
12	✓	✓	✓	✓
14	✓	✓	✓	✓
16	✓	✓	✓	✓
18	✓	✓	✓	✓
20	✓	✓	✓	✓
24	✓	✓	✓	✓

Disclaimer : Not all size are ready-stocked, please check with our staffs regarding their availability



CARBON STEEL PIPE WELDED PIPE

Custom materials can be ordered

ASTM A 53/API 5L , ASTM A106

GRADES : A,B,C

Length : 6 meters

DIAMETERS	SCHEDULE			
	SCH 20	SCH 40	SCH 80	SCH 100
1/4	✓	✓	✓	✓
1/2		✓	✓	✓
3/4	✓	✓	✓	✓
1	✓	✓	✓	✓
1 1/4	✓	✓	✓	✓
1 1/2	✓	✓	✓	✓
2	✓	✓	✓	✓
1/4	✓	✓	✓	✓
2 1/2	✓	✓	✓	✓
3	✓	✓	✓	✓
4	✓	✓	✓	✓
5	✓	✓	✓	✓
6	✓	✓	✓	✓
8	✓	✓	✓	✓
10	✓	✓	✓	✓
12	✓	✓	✓	✓
14	✓	✓	✓	✓
16	✓	✓	✓	✓
18	✓	✓	✓	✓
20	✓	✓	✓	✓
24	✓	✓	✓	✓

Disclaimer : Not all size are ready-stocked, please check with our staffs regarding their availability

GALVANIZE STEEL PIPE

SEAMLESS & ELECTRIC RESISTANCE

WALDED PIPE

Custom materials can be ordered

ASTM A53

Length : 6 meters

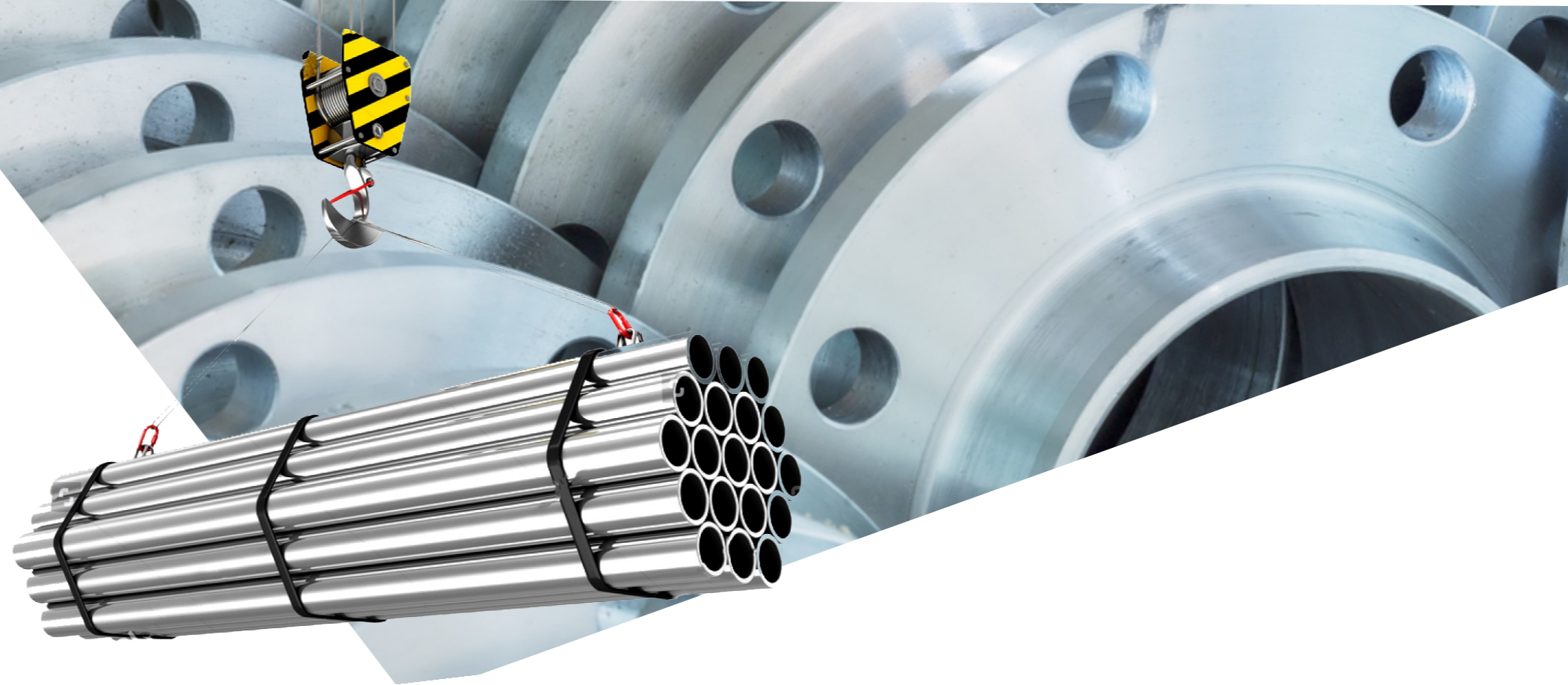
Available Grades : A,B

Chemical Requirements	Type E (Seamless)		Type E (Electric-resistance welded)	
	Grade A	Grade B	Grade A	Grade B
Carbon max. %	0.25	0.30	0.25	0.30
Manganese, %	0.95	1.2	0.95	1.2
Phosphorous, max %	0.05	0.05	0.05	0.05
Sulfur, max %	0.045	0.045	0.045	0.45
Copper, max %	0.40	0.40	0.40	0.40
Nickel, max %	0.40	0.40	0.40	0.40
Chromium, max %	0.40	0.40	0.40	0.40
Molybdenum, max %	0.15	0.15	0.15	0.15
Vanadium, max %	0.08	0.08	0.08	0.08

ASTM A53 pipe is intended for mechanical and pressure applications and is also acceptable for ordinary uses in steam, water, gas and air lines. It is suitable for welding and for forming operations involving coiling, bending, and flanging, subject to certain qualifications. ASTM A53 pipe covers Seamless and Welded, Black and Hot-Dipped Galvanized nominal (average) wall pipe for coiling, bending, flanging and other special purposes and is suitable for welding. Continuous-Welded pipe is not intended for flanging. Purpose for which pipe is intended should be stated on order.

DIAMETERS	SCHEDULE			
	SCH 20	SCH 40	MEDIUM A	MEDIUM B
1/4		√	√	√
1/2		√	√	√
3/4		√	√	√
1		√	√	√
1 1/4		√	√	√
1 1/2		√	√	√
2	√	√	√	√
2 1/4				
2 1/2	√	√	√	√
3	√	√	√	√
4	√	√	√	√
5	√	√	√	√
6	√	√	√	√
8	√	√	√	√
10	√	√		
12	√	√		

Disclaimer : Not all size are ready-stocked, please check with our staffs regarding their availability



FLANGE SERIES

STAINLESS STEEL AND CARBON STEEL FLANGES

Size range : 1/2" to 40"

Available Materials : CS, SS 304, SS 316

Type	Features
Blind	Round with all the relevant boltholes but no centre hole Used mainly to close off the ends of piping systems and pressure valves openings
Weld Neck	These flanges are ideal for extreme fluctuations of temperature and in environments where there may be high pressure or high temperature. Long tapered hub reduces stress concentrations at the base of the flange
Slip-on	Easily fitted or welded into different pipes. These flanges are better suited to lower pressure applications
Socket Weld	Attached by inserting pipe into the socket end which allow smoother bore and better flow of liquid. Mainly used for smaller sizes or high temperature applications
Threaded	Similar to socket weld, except the bore of threaded pip flange has tapered thread which can be attached without any welding
Lap Joint	Often used for pipes with smaller diameter and suitable for situations where by pipe dismantling is frequent
Orifice	Used in situations where by an orifice plate or flow nozzle must be installed



Slip on



Weld Neck



Socket weld



Blind



Lap joint



Threaded