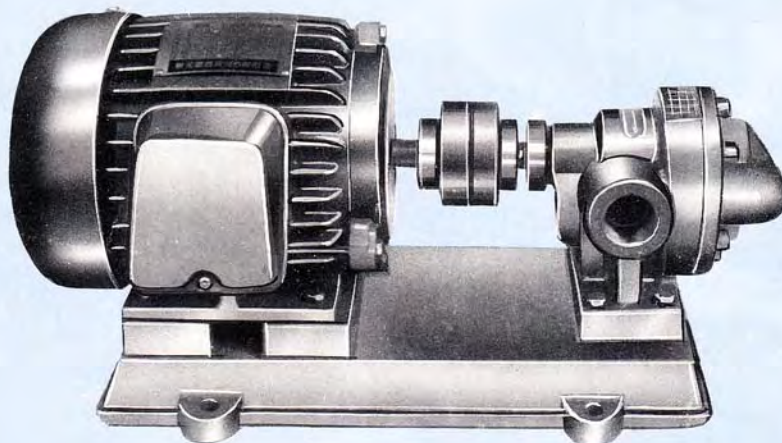
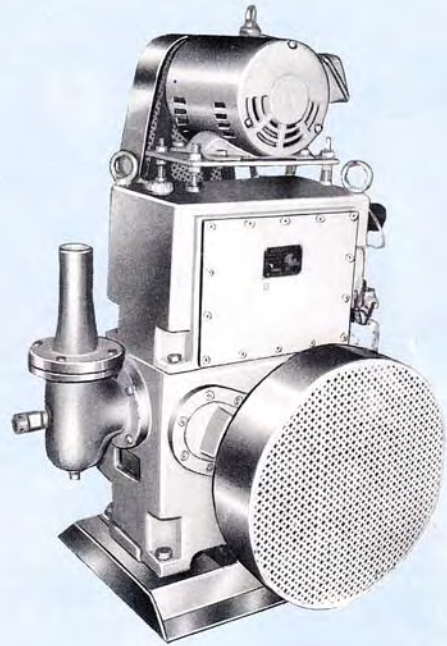




昆德牌泵浦系列

KUN DEA PUMP SERIES



昆德機械有限公司
KUN DEA MACHINERY CO., LTD.

真空幫浦 VACUUM PUMPS



KV 1-4 型 KWV 2-3 型

特性：採用外箱型，可動兩翼式，自動吸入潤滑油減少磨損，保持長久高真空度、效率高、體積小、馬力少。

用途：真空乾燥、濃縮、過濾、蒸發、脫水、排氣、輸送、化驗、塑膠成型等作業。

Features:

It adopts outer box type with two movable wings, absorbs automatically lubricant to reduce wear, and keeps long high vacuum with high efficiency, small volume and less horse power.

Purpose:

For operations of vacuum drying, concentrating, filtering, vaporizing, dehydrating, exhausting, delivering, testing and plastic shaping.

型 式 TYPE	馬 力 HP	排氣量 DI/min	回轉數 RPM	真空度 U-Y	口 徑 Pipe Dia	備 註 Remarks
KV-1	¼	80	600	0.01		一段
KV-2	½	150	600	0.01		一段
KV-3	1	300	500	0.01		一段
KV-4	2	500	500	0.01		一段
KWV-2	½	150	600	0.001		二段
KWV-3	1	300	500	0.001		二段



KRV 1-3 型

老達利真空幫浦 ROTARY VACUUM

特性：內部構造採用可動四翼式設計，製作精密，能發揮最高之真空效率，內部除可動翼外，並使用特種鋼內接圈；可調整其與汽筒之接觸，並使防止打擊，噪音，提高容量及真空度，振動小、易分解、修理迅速。

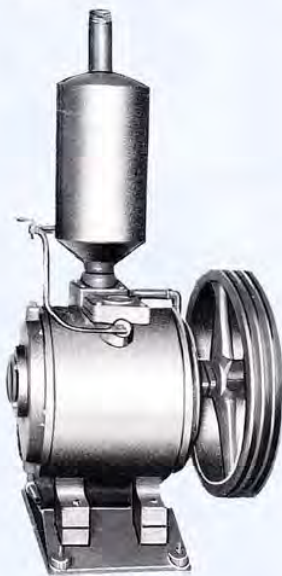
用途：真空蒸餾、乾燥、脫水、排氣、輸送、成型等。

Features:

The internal structure is designed with movable two wings type. It's made precisely and can develop the highest vacuum efficiency. Besides movable wings, the inside also uses special steel inner loop which can adjust the contact with cylinder and also prevent strike, noise; it can increase capacity and vacuum with little vibration, easy disassembly and fast repair.

Purpose:

It's used for vacuum distilling, drying, dehydrating, exhausting, delivering and shaping.



KRV 4-5 型

型 式 TYPE	馬 力 HP	排氣量 DI/min	回轉數 RPM	真空度 U-Y	口 徑 Pipe Dia	備 註 Remarks
KRV-1	1	470	350	10	1	風冷
KRV-2	2-3	1100	350	7	1½	風冷
KRV-3	5	1700	300	5	2"	風冷
KRV-4	5	1700	300	5	2"	水冷
KRV-5	7½	3000	300	5	2½"	水冷

昆德牌水封式真空幫浦

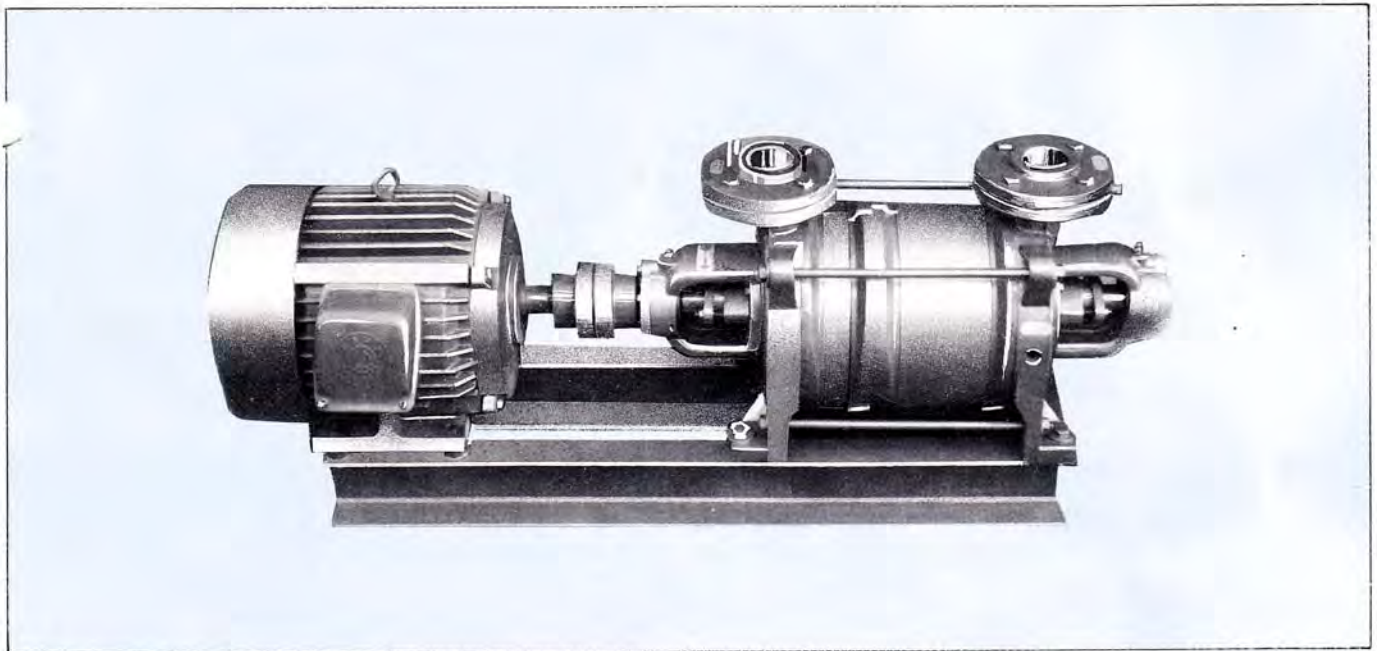
"KUN DEA" WATER SEALED VACUUM PUMP

特點：

對水蒸氣或腐蝕性氣體，能發揮其性能，因不用油類用適當的水循環真空，所以能兼備除塵、水蒸氣，冷卻排除適當的水（0.8kg - 1 kg）壓力能防止因水過多而增加馬力。

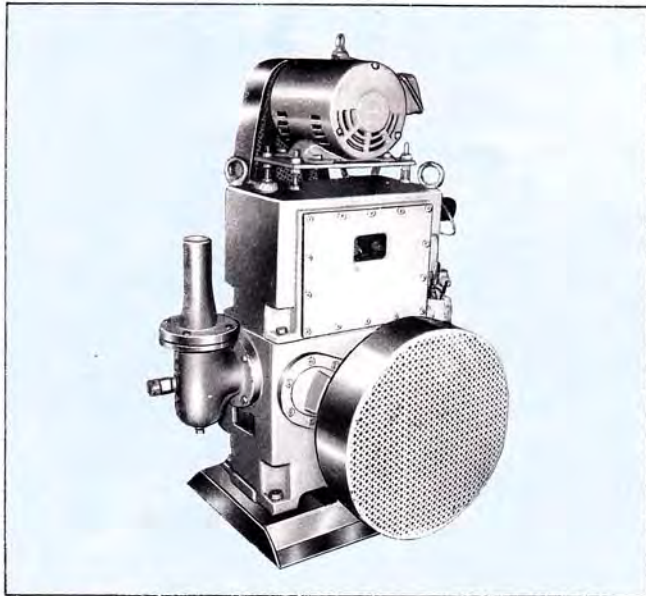
Features:

To water vapor or eroded gas, it can enhance its performance. Since it uses water cycle vacuum instead of oil, it can eliminate dust, vapor and adequate water pressure (0.8Kg - 1Kg) as well as preventing horse power increased because of excessive water.



單段式 SINGLESTAGE	排氣量 ℓ/min	真空度 Torr	馬力 HP	回轉數 R.P.M	出入口徑 in	排水量 ℓ/min	外型尺寸 W x H x L	重量連馬達 Kg
KB-½	150	45	½	3500	½"	3	200 x 290 x 585	36
KB-1	250	45	1	3500	¾"	4	226 x 290 x 630	40
KB-2	460	45	2	3500	1"	6	246 x 290 x 691	49
KB-3	800	45	3	3500	1"	8	268 x 290 x 757	60
KW-2	420	60	2	1750	1½"	6	246 x 450 x 882	96
KW-3	630	60	3	1750	1½"	7	268 x 450 x 923	107
KW-5	1000	60	5	1750	1½"	9	283 x 450 x 1012	129
KW-7	1800	60	7½	1750	1½"	12	343 x 450 x 1100	156
KW-10	2800	60	10	1750	1½"	19	343 x 450 x 1173	179
KW-15	4400	45	15	1750	2"	27	386 x 655 x 1415	321
KW-20	5600	45	20	1750	3"	35	386 x 655 x 1494	346
KW-25	7700	45	25	1750	3"	42	471 x 655 x 1560	371

KR型圓型輪偏心回轉式 Round Wheel Eccentric Gyration of KR Type



特點：

操作時油循環轉動無磨擦，排氣速度快，低噪音，真空度高、壽命長比一般長三倍以上。

Features:

While operating, its oil circularly turns without abrasion with fast exhaust, low noise, high vacuum degree, and its life has 3 times longer than others'.

馬力 HP	排氣量 DI/min	回轉數 R.P.M.
2HP	800ℓ	430
3HP	1500	430
5HP	2500	430
7½HP	4000	430
10HP	6000	430
15HP	7500	430

真空脫泡機

Vacuum Machine of Removing Bubble



用於脫泡、波麗、石膏、樹脂等。

真空泵浦用途： PURPOSES OF VACUUM PUMP

●化學工業

真空蒸餾(塑膠原料、高級油精、脂肪酸)
真空脫氣(絕緣油、冷凍機油、牙膏、陶器)
真空乾燥(顏料)
真空脫臭(食物油)
真空脫泡(波麗、石膏、水球、泥土)
真空脫水(水膠)

●金屬工業

真空燒結(W, Mo等高熔點金屬、磁合金)
真空含浸(鑄造物)
真空粉末乾燥(鎢粉末、鋁粉末)
真空脫氣鑄造(Ni, Cu, Fe, 軸承鋼、特殊鋼、合金)

●製紙工業

真空脫水(紙漿)
真空乾燥(紙布)

●食品工業

真空濃縮(果汁、奶粉)
真空乾燥(咖啡、蔬菜、飼料、酵母、麵食、果實)

●藥品工業

真空乾燥(血漿、血清、抗生素、蛋白質)

●電氣工業

真空蒸著(整流器、電容器、半導體、電視管)
真空排氣(電燈泡、真空管、布朗管、日光燈、X線管)
真空含浸(變壓器、電容器、電纜、馬達線圈)

●其他

真空輸送、真空過濾、真空成型、真空蒸餾、真空絕熱、光學工業、低溫工業、建築工業、真空研究實驗等。

Chemical Industry

Vacuum distillation (plastic raw material, high class oil, fat acid)
Vacuum eliminating gas (insulation oil, freezing oil, tooth paste, pottery)
Vacuum drying (pigment)
Vacuum deodorizing (food oil)
Vacuum eliminating bubble (gypsum, water ball, soil)
Vacuum dehydrating (water glue)

Metal industry

Vacuum sintering (W, Mo high melting point metal, magnetic alloy)
Vacuum impregnation (casting item)
Vacuum powder seasoning (tungstein powder, aluminum powder)
Vacuum eliminating air casting (Ni, Cu, Fe bearing steel, special steel, alloy)

Paper making industry

Vacuum dehydrating (paper pulp)
Vacuum seasoning (paper cloth)

Food industry

Vacuum concentrating (fruit juice, milk powder)
Vacuum seasoning (coffee, vegetable, feed, ferment, pastry, fruit)

Drug industry

Vacuum seasoning (blood plasma, serum, antibiotic, protein)

Electric industry

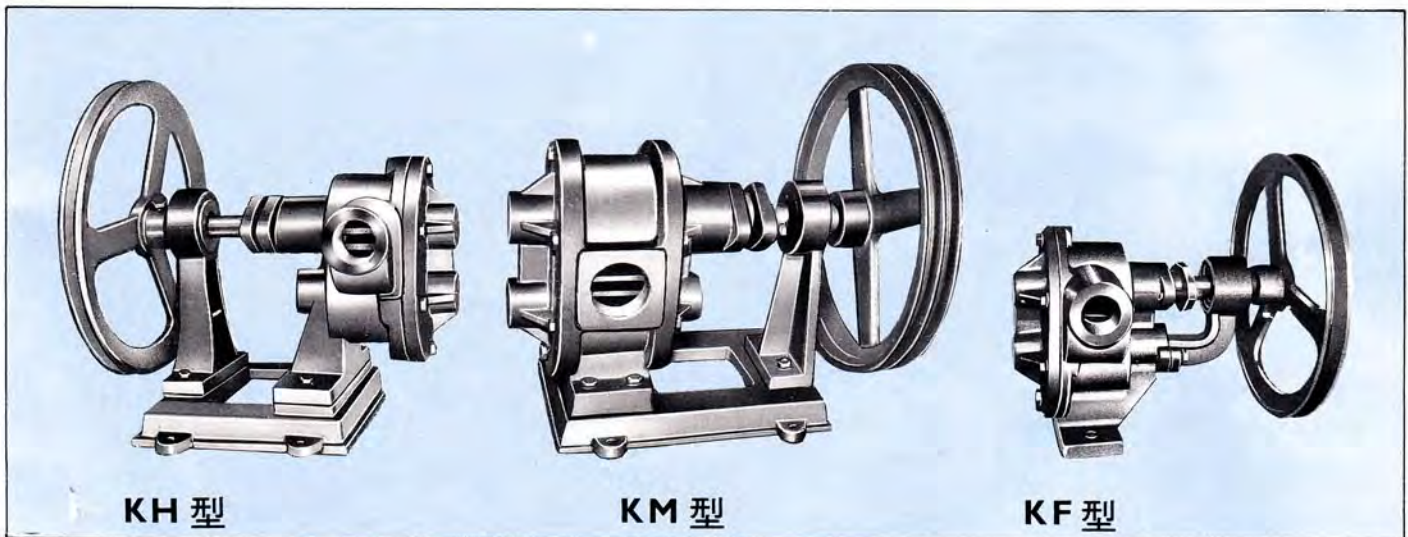
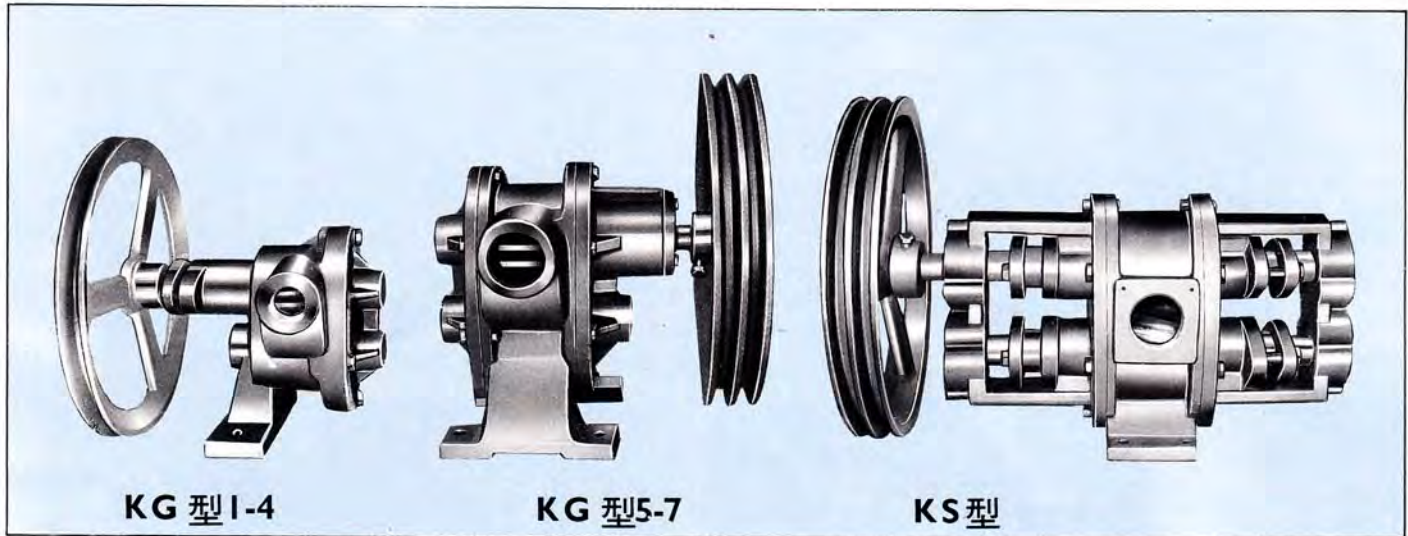
Vacuum vapping (rectifier, condenser, semi-conductor, TV tube)
Vacuum exhausting (electric bulb, vacuum tube, Brown tube, fluorescent lamp, X ray tube)
Vacuum impregnation (transformer, condenser, cable, motor coil)

Others

Vacuum delivering, vacuum filtering, vacuum shaping, vacuum steaming, vacuum insulating heat, optical industry, low temperature industry, architecture industry, vacuum research laboratory.

昆德牌齒輪幫浦

"KUN DEA" GEAR TYPE ROTARY PUMP



特點：相似真空幫浦之吸力，容易吸液、齒形正確、精密圓滑、回轉肅靜、耐磨及韌性強，不洩油，採用特製之護油圈不銹鋼之彈簧。

用途：各種礦油類、化工液體抽送、食品油類、肥皂、樹脂溶劑、高黏度、糖蜜、各種液體過濾充填等。

Features:

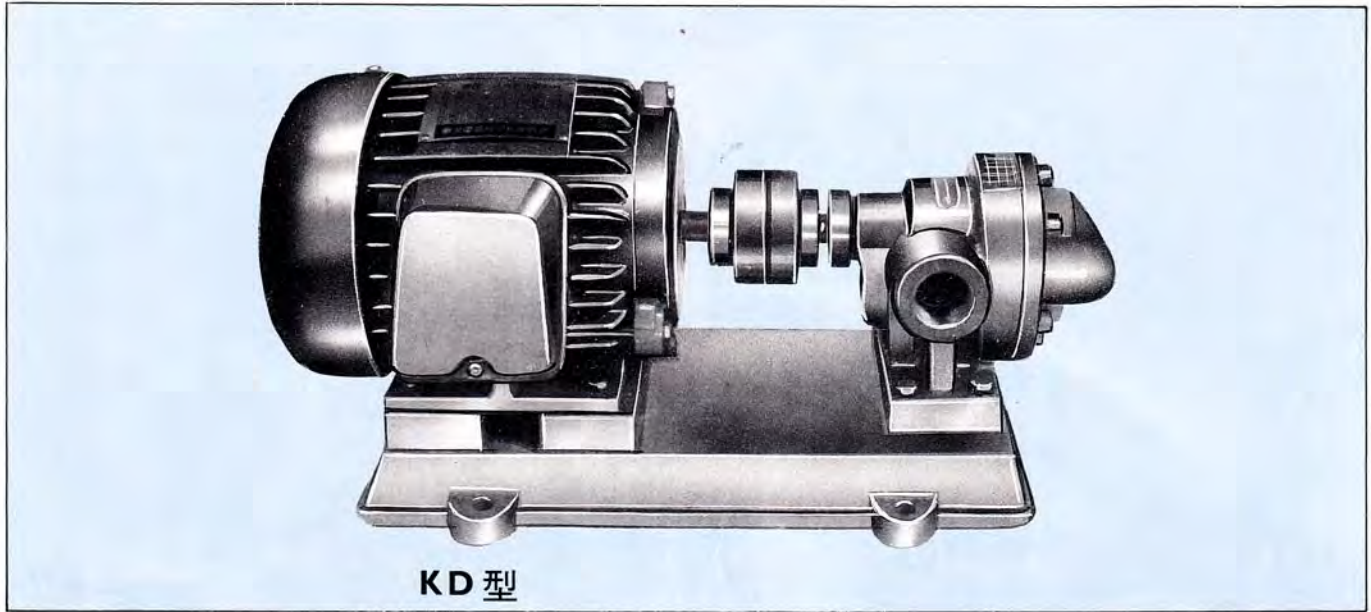
It's similar to the vacuum pump suction, easy to absorb liquid. The tooth shape is correct, precision and smooth. It gyrates quietly with wear resisting, toughness and without leaking oil, adopting specially made oil protective ring and stainless steel spring.

Purpose:

For pumping various kinds of mineral oil, chemical industry liquid, food oil, soap, resin solvent, high viscosity sugar and honey; filtering and filling various liquids.

型式 TYPE	口 徑 Pipe Dia	馬力 HP	回轉數 RPM	出 量 Capacity	壓 力 Pressure	備 註 Remarks
KG-1	½ in	½	450	14	3kg	
KG-2	¾	½~1	430	35	4	KH2 KF2
KG-3	1"	1-2	430	48	4	KH3 KF3
KG-4	1¼	1~3	430	56	4	KH4 KF4
KG-5	1½	2-5	430	95	4	KM5 KS5
KG-6	2"	3-5	430	150	4	KM6 KS6
KG-7	2½"	5-7½	360	200	4	KS7
KG-8	3	10	350	260	4	KS8 KM8
KG-9	4"	15-30	350	500	4	KS9 KM9

直接式齒輪幫浦 DIRECT TYPE GEAR PUMP



KD 型

特點：

體積小、壓力高、噪音低、出量大，附調壓閥。保養容易，能發揮高效率。軸特殊處理，耐久性磨。

Features:

Small volume, high pressure, low noise, large output, easy maintenance; it can develop high efficiency. Its shaft is specially treated with long wearing resisting.

型 式 TYPE	口 徑 PIPE P.I.A.	馬 力 HP	轉 數 PRM	出 水 量 CAPACITY ℓ/MIN	壓 力 PRESSURE
KD-1	½"	½-1	1720	12	3-10
KD-2	¾"	1-2	1720	24	3-10
KD-3	1"	1-2	1720	36	2-10
KD-4	1¼"	2-3	1720	54	2-10
KD-5	1½"	3-10	1720	80	3-15
KD-6	2"	5-15	1150	200	3-15
KD-7	3"	10-30	1150	500	3-15

備註：馬達直接式